

THIS COPY IS PROVIDED ON A RESTRICTED BASIS AND IS NOT TO BE USED IN ANY WAY DETRIMENTAL TO THE INTERESTS OF PANDUIT CORP.

PANDUIT P/N	WEIGHT
ACF20	0.15kg

SPECIFICATION:

- 1. STANDARD
 - OPERATION TEMPERATURE RANGE: 0°C - 60°C [32°F - 140°F]
 - INTERFACE PLUG (HANDLE): JST GHR-04V-S
 - INTERFACE PLUG (iPDU): RJ45 COMPLIANT
 - INTERFACE PLUG (iPDU) HOUSING MATERIAL: PC
 - INTERFACE PLUG (iPDU) HOUSING COLOR: TRANSPARENT
 - CABLE COLOR: BLACK
 - WORKMANSHIP STANDARD: HARNESS TO BE MANUFACTURED TO IPC/WHMA-A-620 CLASS 2 STANDARD

- 2. ADDITIONAL: NONE
- 3. ACCESSORY COMPONENTS: NONE

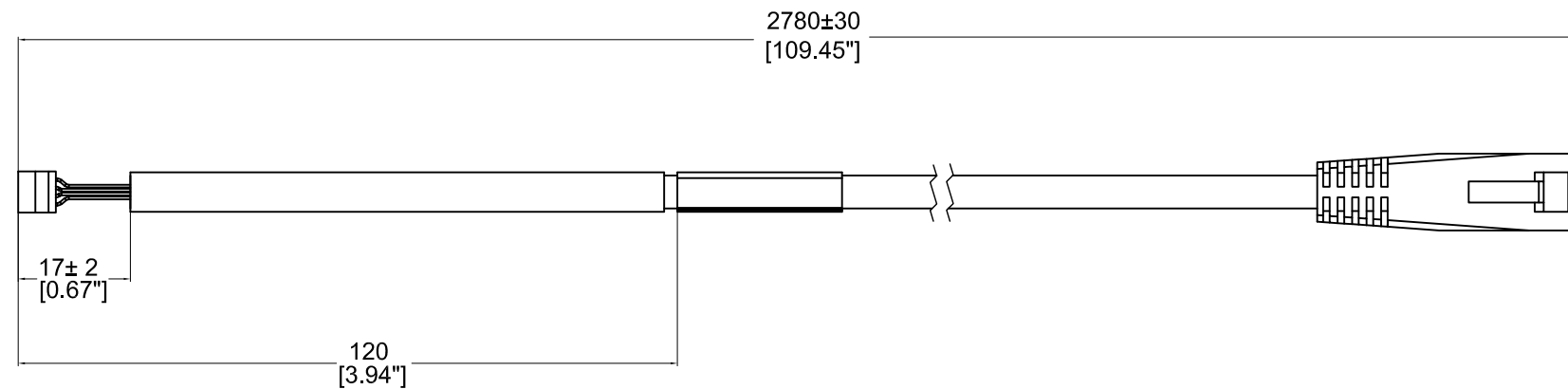
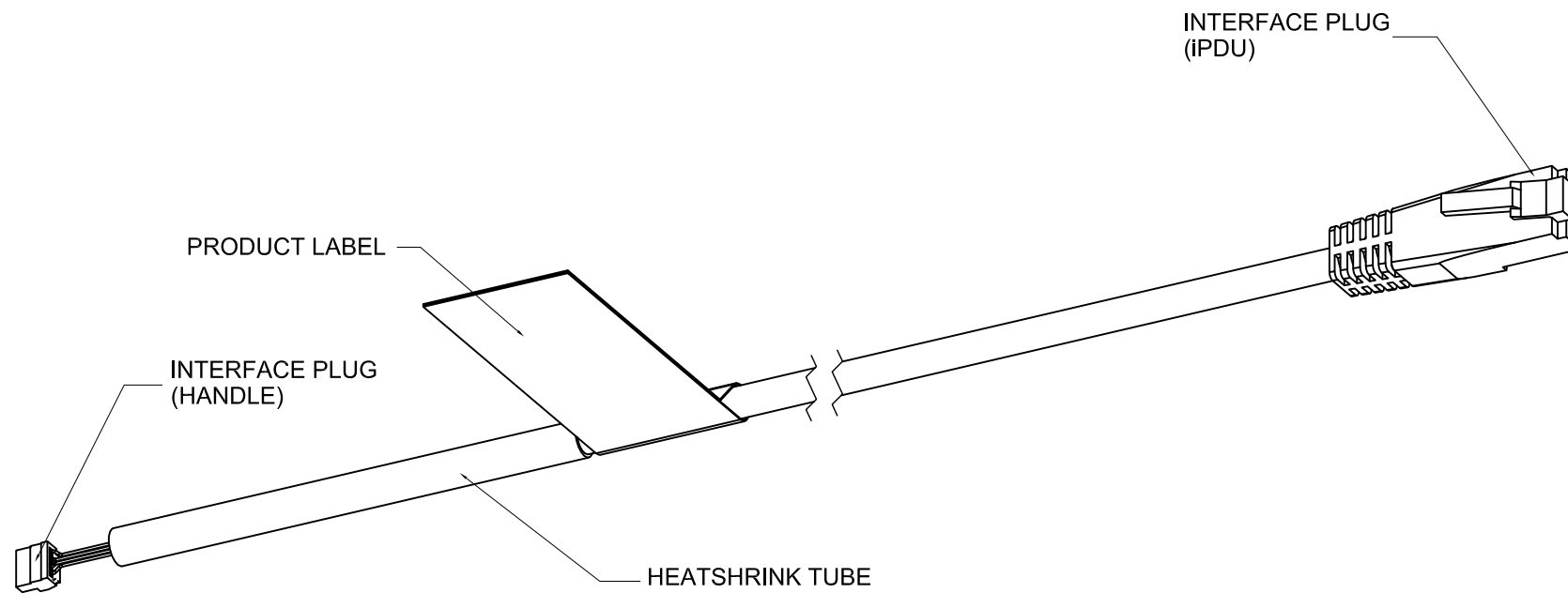
NOTES:

- 1. PRIMARY DIMENSIONS ARE IN MILLIMETERS. SECONDARY DIMENSION ARE IN INCHES
- 2. INSTALLATION SHALL COMPLY WITH ALL APPLICABLE NATIONAL, STATE, AND LOCAL CODES
- 3. VISIT OUR ON-LINE CATALOG AT WWW.PANDUIT.COM FOR A CURRENT LIST OF PRODUCTS APPLICABLE FOR USE WITH THIS PART

IDENTIFICATION

PART NUMBER
ACF20

DESCRIPTION
SMARTZONE SECURITY HANDLE TO
PANDUIT G5 iPDU HARNESS



REV	DATE	BY	CHK	APR	DESCRIPTION	ECN
03A	3/4/2020	NW	GLM	JAW	UPDATED LABEL LOCATION AND PRODUCT NAME	ACF20
02A	01/11/2020	NW	GLM	JAW	UPDATED OPERATION TEMP RANGE, RJ45 MAT. AND TITLE	ACF20
01A	12/10/2019	NW	GLM	JAW	CHANGED FEMALE RJ45 TO MALE, UPDATED GAUGES/CONNECTION POINTS.	ACF20

WE ASK THAT YOU CHECK FULLY THE DIMENSIONS, NOTES, AND SIGN THE CLIENT SIGNATURE BOX. THE JOB WILL NOT PROGRESS WITHOUT SIGNED APPROVAL. PLEASE DO NOT DELAY IN RETURNING PROOF AS IT WILL AFFECT DELIVERY		SIGN
		DATE
		PRINT
TITLE: SMARTZONE SECURITY HANDLE TO PANDUIT G5 iPDU HARNESS CUSTOMER DRAWING		
ITEM REVISION NAME:		PANDUIT
DATASHEET FILE NAME:		
UNLESS OTHERWISE SPECIFIED DIMENSIONAL TOLERANCE ARE: mm [IN]		MATERIAL/COLOR: N/A
THIRD ANGLE PROJECTION		DRAWING NUMBER: ACF20_DC
DRAWN BY NW	DATE 12/10/2019	SCALE NONE
SHT 1 OF 1		SCALE B