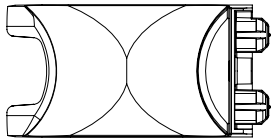
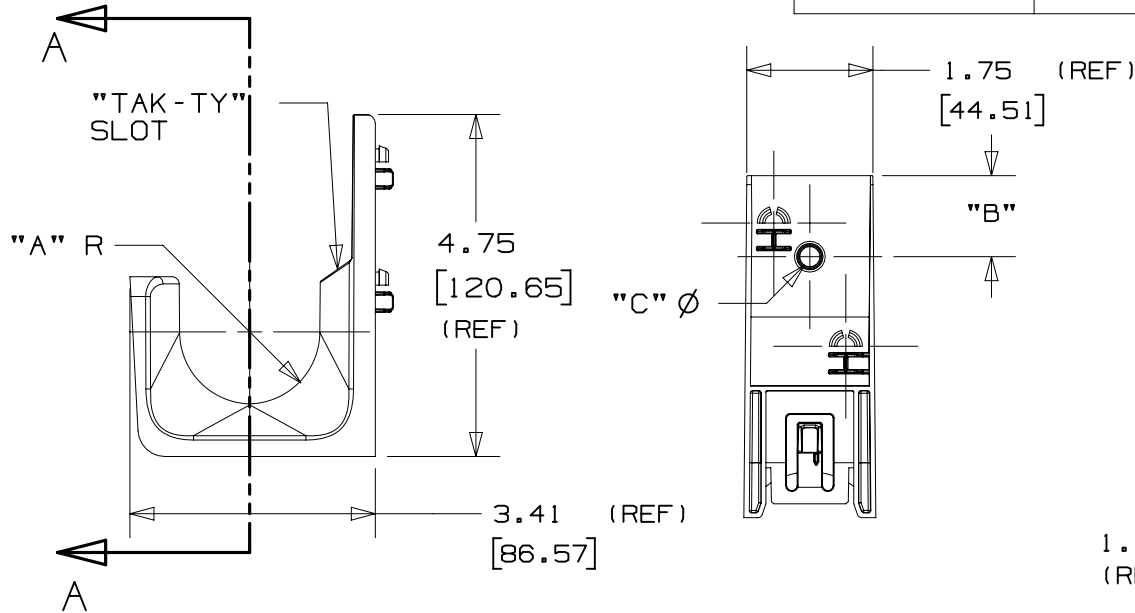


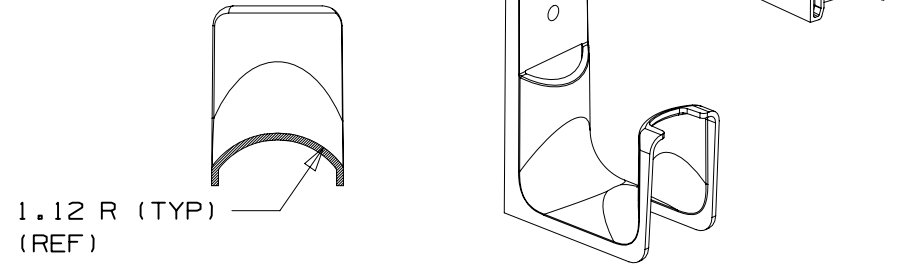
THIS COPY IS PROVIDED ON A RESTRICTED BASIS AND IS NOT TO BE USED IN ANY WAY DETRIMENTAL TO THE INTERESTS OF PANDUIT CORP.



PANDUIT PART NO. *	DIMENSIONS			PRODUCT WORKS WITH PANDUIT PART NUMBERS	WEIGHT lbs. / 10 (g) / pcs.
	"A" (REF)	"B" (REF)	"C"		
JMJH2- ----	1.00 (25.4)	1.125 (28.57)	0.280 (7.11)	JMCMB25-1, JMCMB25-3, JM CB (SEE NOTE 4)	1.01 (456.86)



SECTION A-A  
(BEND RADIUS CONTROL)



- NOTES:**
- SEE CURRENT PRICE SHEET FOR PART NUMBER SUFFIX DESIGNATION FOR PACKAGE SIZE AND PRODUCT COLOR.
  - PRODUCT IS DESIGNED TO SUPPORT A MAXIMUM 2.0" DIAMETER BUNDLE. RECOMMENDED MAXIMUM STATIC LOAD: 25.0 lbs.
  - PRODUCT INCORPORATE FEATURES ALLOWING USER TO SECURE CABLE BUNDLES IN JMOD PRODUCT WITH "TAK-TY" CABLE TIES UP TO 3/4" WIDE.
  - JMJH2 INCORPORATES FEATURES THAT ALLOW FOR RAPID INSTALLATION TO THE FOLLOWING PANDUIT ACCESSORIES FOR A VARIETY OF MOUNTING CONFIGURATIONS:
    - A.) JMCMB25-1 (CABLE MANAGEMENT ANGLE BRACKET-SINGLE LEVEL) (RIVET ASSEMBLIES AVAILABLE FOR A VARIETY OF APPLICATIONS)
    - B.) JMCMB25-3 (CABLE MANAGEMENT ANGLE BRACKET-THREE LEVEL) (RIVET ASSEMBLIES AVAILABLE FOR A VARIETY OF APPLICATIONS)
    - C.) JM CB (CABLE MANAGEMENT CHAINING BRACKET EXTENDER) (DEVICE IS USED TO ADD UP-TO 2 ADDITIONAL LEVELS OF CABLE MANAGEMENT TO JMCMB25-1)

PRODUCT SPEC		PACKAGING SPEC	
N/A		N/A	
PART NUMBER		WORK INSTRUCTION	
JM JH2- _ _ _		N/A	
INSPECTION INSTRUCTION NUMBER		FMEA & CONTROL PLAN NUMBER	
N/A		N/A	
TITLE			
<b>JMOD J HOOK</b>			
CUSTOMER DRAWING			
ITEM REVISION NAME		<b>PANDUIT</b>	
G02672DC/01			
DATASET FILE NAME		MATERIAL:	
G02672DC_DC/01B		NYLON	
UNLESS OTHERWISE SPECIFIED, DIMENSIONAL TOLERANCES ARE: IN [mm]		DRAWING NUMBER:	
.x ± .1 [ 2.54 ]      .xxx ± .005 [ .127 ]		G02672DC	
.xx ± .01 [ .25 ]      ANGLES ± 5 °		THIRD ANGLE PROJECTION	
DRAWN BY		SCALE	
JAD		NTS	
DATE		SHT 1 OF 1	
4/1/03		A	
CHK		SIZE	
		A	

REV	DATE	BY	CHK	APR	DESCRIPTION	ECN
02	4/16/2018	AUMA	ANRO	JHAC	MODIFIED NOTE 2 FROM 30 LBS. TO 25 LBS. AND UPDATED FORMAT BORDER	GAECN04569
01	6/11/04	JAD			REMOVE TAK-TY SLOTS IN CABLE BED AREA	GB2672DC
R	4/1/03	JAD			INITIAL RELEASE	GB2672DC

D10.100DA/20