

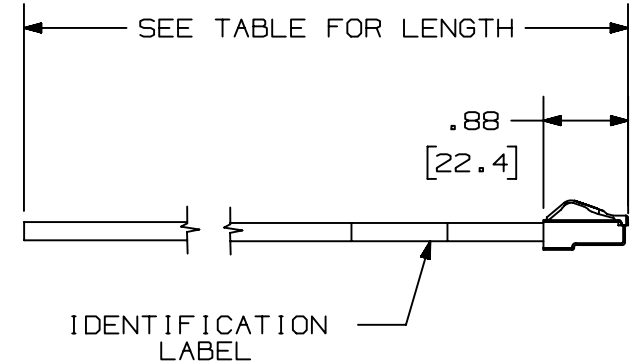
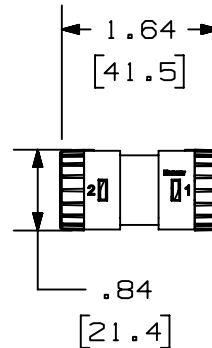
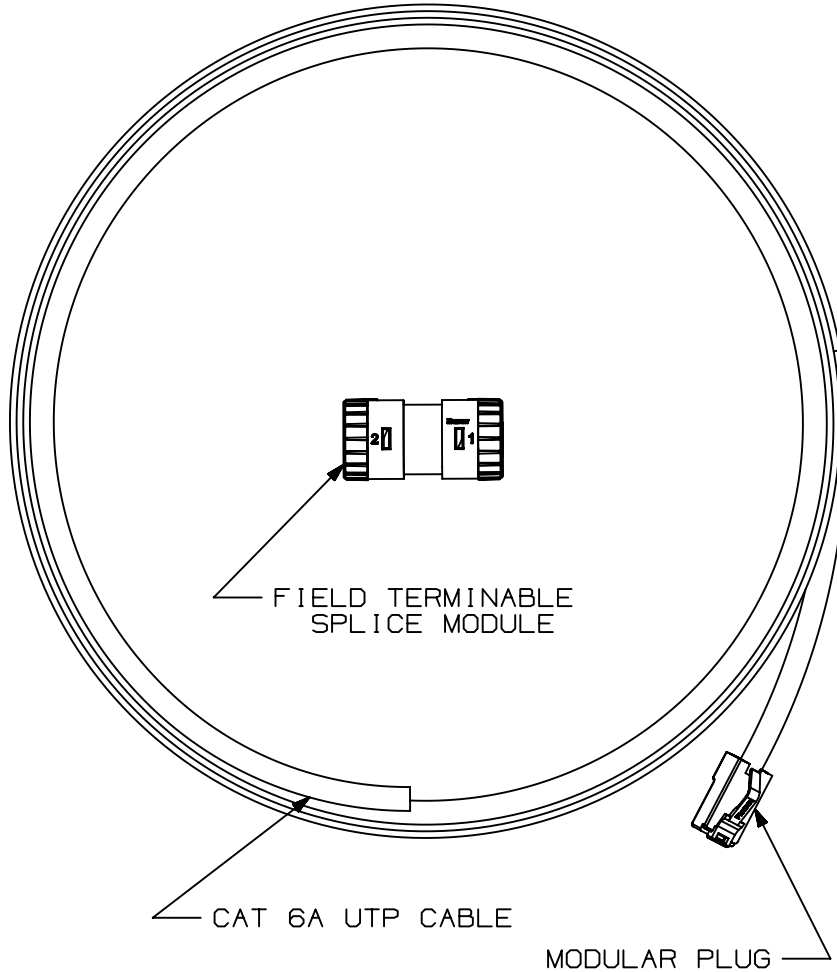
THIS COPY IS PROVIDED ON A RESTRICTED BASIS AND IS NOT TO BE USED IN ANY WAY DETRIMENTAL TO THE INTERESTS OF PANDUIT CORP.

T568B WIRING SCHEME
 PLUG POSITION: CABLE WIRE:
 1 WHITE/ORANGE
 2 ORANGE
 3 WHITE/GREEN
 4 BLUE
 5 WHITE/BLUE
 6 GREEN
 7 WHITE/BROWN
 8 BROWN

PART NUMBER	LENGTH	CABLE JACKET COLOR	CABLE JACKET FLAME RATING
FC-ICC/P3MBU	3m (118.1")	BLUE	PLENUM
FC-ICC/P3MWH	3m (118.1")	WHITE	PLENUM

NOTES:

1. NOMINAL CORD JACKET DIAMETER IS .240in. (6.1mm).
2. CONSTRUCTED WITH 23AWG SOLID CAT 6A UTP CABLE.
3. TERMINATED WITH (8 POSITION) CAT 6A MODULAR PLUG AT ONE END PER T568B
4. INCLUDED FIELD TERMINABLE SPLICE MODULE ALLOWS CUTTING CABLE TO DESIRED LENGTH
5. TERMINATES 22-26AWG SOLID OR STRANDED UTP CABLE
6. COMPATIBLE WITH CABLE JACKET ϕ 0.189" (4.8mm) - 0.272" (6.9mm)
7. MATERIALS:
 PLUG: POLYCARBONATE
 SPLICE HOUSING: POLYCARBONATE
8. DIMENSIONS IN [] ARE IN METRIC.



PART NUMBER		SEE TABLE		
TITLE				
TX6A™ UTP FieldCord™ W/ LOOSE PIECE SPLICE MODULE CUSTOMER DRAWING				
ITEM REVISION NAME		00498EAL/00		
DATASET FILE NAME		00498EAL_DC/00A		
		THIRD ANGLE PROJECTION		
MATERIAL		SEE NOTES		
DRAWING NUMBER				00498EAL-DC
DRAWN BY	DATE	CHK	SCALE	SIZE
BJN	4-8-21	BSN	NONE	A
SHEET 1 OF 1				

00A	4-8-21	BJN	BSN	TMBA	RELEASE TO PRODUCTION	00498EAL-DC
REV	DATE	BY	CHK	APR	DESCRIPTION	ECN