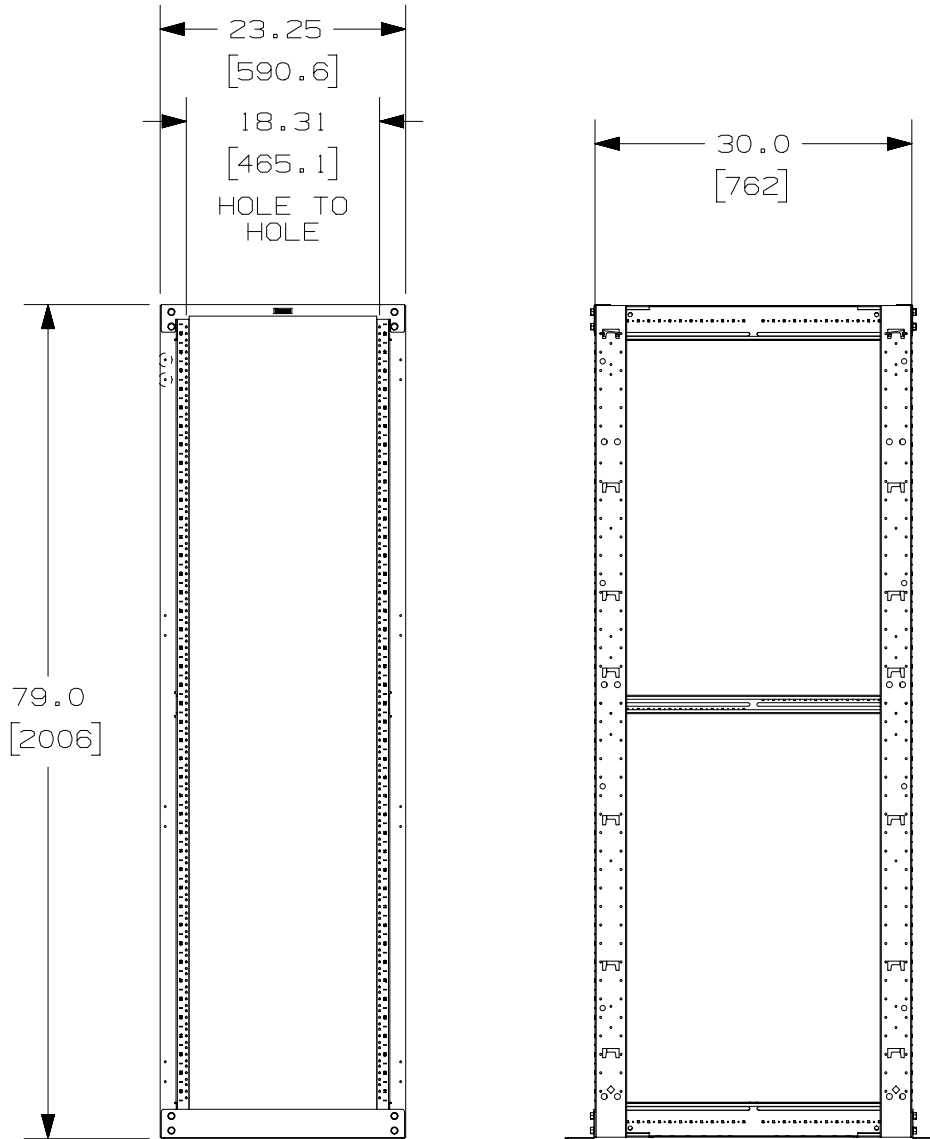
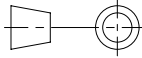


THIS COPY IS PROVIDED ON A RESTRICTED BASIS AND IS NOT TO BE USED IN ANY WAY DETRIMENTAL TO THE INTERESTS OF PANDUIT CORP.



NOTES:

1. VISIT OUR ON-LINE CATALOG AT WWW.PANDUIT.COM FOR A LIST OF CURRENT PARTS APPLICABLE FOR USE WITH THIS PRODUCT.
2. DIMENSIONS IN PARENTHESIS ARE METRIC.
3. INDEPENDENT ADJUSTABLE FRONT & REAR MOUNTING RAILS (EIA) ADJUST FROM 2.75" TO 30" DEPTH.
4. CAN BE USED WITH ANY EIA STANDARD COMPONENT IN ADDITION TO ALL PANDUIT HORIZONTAL CABLE MANAGEMENT AND PATCH PANEL PRODUCTS.
5. 42 AVAILABLE RACK SPACES.
6. EIA UNIVERSAL STANDARD HOLE PROGRESSION ON FRONT CHANNELS AND REAR MOUNT RAILS .625", .625", .500", .625", .625", .500"...ETC.
7. ALL RACKS WILL HAVE NUMBERS UP ORIENTATION (RU "01" ON BOTTOM, RU "42" ON TOP). INSTRUCTIONS WILL BE PROVIDED ON HOW TO GET NUMBERS DOWN ORIENTATION.
8. RU SPACING NUMBERS ARE CLEARLY PRINTED ON MOUNTING RAILS.
9. ALL ASSEMBLY HARDWARE INCLUDED:
 (16) 3/8-16 X 1" BLACK HEX BOLT
 (16) 3/8" PAINT PIERCING GROUNDING WASHER
 (1) TUBE OF ANTI-OXIDIZING PASTE
 (25) 12-24 X .5" SLOTTED PAN HEAD STEEL SCREW
 (25) #12-24 CAGE NUTS (ONLY PROVIDED FOR R4PCN79)
10. EASY ASSEMBLY, ONE WRENCH NEEDED TO INSTALL BOLTS INTO WELDNUTS IN ALL 8 CORNERS.
11. FULLY BONDED STRUCTURE WHEN ASSEMBLED PER INSTRUCTIONS.
12. LOAD RATING - 2500 LBS.
13. WEIGHT:
 R4P79 - 96 lbs [43.6 kg]
 R4PCN79 - 88 lbs [40.0 kgs]

PART NUMBER		R4P79, R4PCN79										
TITLE		30" DEEP 4 POST RACK										
		CUSTOMER DRAWING										
ITEM REVISION NAME		V10687AP/07										
DATASET FILE NAME		V10687AP_DC/07A										
		THIRD ANGLE PROJECTION										
MATERIAL		STEEL										
		DRAWING NUMBER V10687AP-DC										
07A	3-23-23	TWV	MPOL	KCOR	UPDATED DRAWING	V10687AP						
REV	DATE	BY	CHK	APR	DESCRIPTION	ECN	DRAWN BY	DATE	CHK	SCALE	DRAWING NUMBER	SIZE
							PM	7-27-10	DPN	NONE	SHEET 1 OF 3	A

A-SIZE CUSTOMER

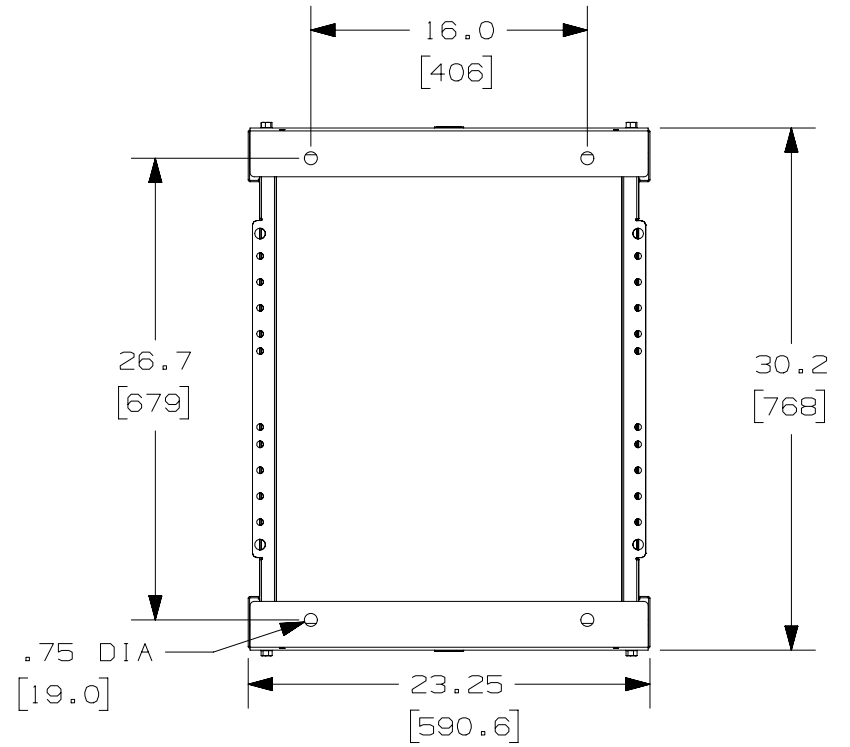
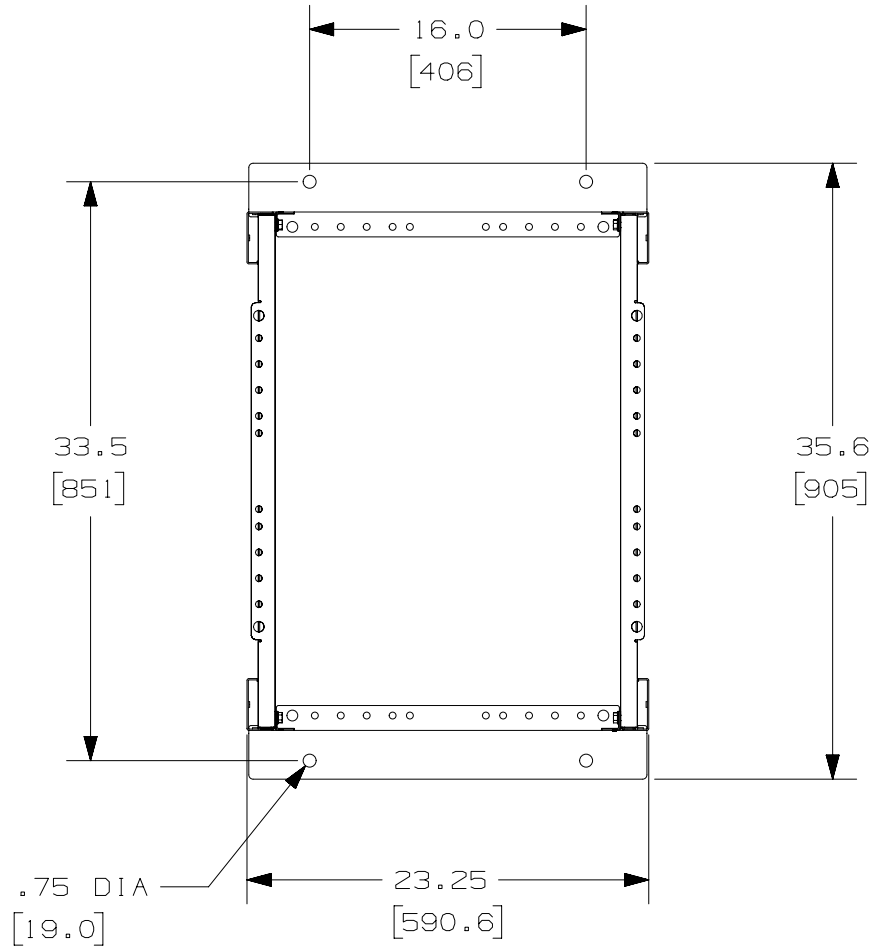
2

1

2

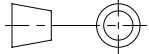
1

THIS COPY IS PROVIDED ON A RESTRICTED BASIS AND IS NOT TO BE USED IN ANY WAY DETRIMENTAL TO THE INTERESTS OF PANDUIT CORP.



FLOOR FOOTPRINT WITH
BASE ANGLES TURNED
OUTWARD FOR EXTENDED
FOOTPRINT

FLOOR FOOTPRINT WITH
BASE ANGLES TURNED INWARD

PART NUMBER		R4P79, R4PCN79										
TITLE		30" DEEP 4 POST RACK										
		CUSTOMER DRAWING										
ITEM REVISION NAME		V10687AP/07										
DATASET FILE NAME		V10687AP_DC/07A										
		THIRD ANGLE PROJECTION										
MATERIAL		STEEL										
		DRAWING NUMBER V10687AP-DC										
07A	3-23-23	TWV	MPOL	KCOR	SEE SHEET ONE FOR REVISIONS	V10687AP						
REV	DATE	BY	CHK	APR	DESCRIPTION	ECN	DRAWN BY PM	DATE 7-27-10	CHK DPN	SCALE NONE	SHEET 2 OF 3	SIZE A

A-SIZE CUSTOMER

THIS COPY IS PROVIDED ON A RESTRICTED BASIS AND IS NOT TO BE USED IN ANY WAY DETRIMENTAL TO THE INTERESTS OF PANDUIT CORP.

J-HOOKS UP TO 3/8" DIA. MAY BE MOUNTED FROM THE FRONT OF THE BASE ANGLES

BONUS HOLES ARE FOR MOUNTING PANDUIT ACCESSORIES. SEE NOTE 1.

MOUNTING HOLES FOR OPTIONAL POWER STRIP BRACKET. BRACKETS CAN BE MOUNTED ON ANY OF THE 4 POSTS OR ADJUSTABLE RAILS.

OPTIONAL POST HOLES FOR BRACKET MOUNTING NETRUNNER

MASKED AREA FOR GROUNDING, TOP & BOTTOM OF RACK. 4 PLACES

BASE ANGLES (SEE SHEET 2 FOR MOUNTING POSITIONS)

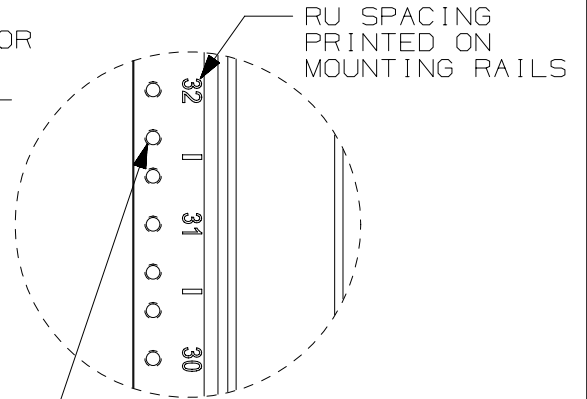
"J" BOLT MOUNTING HOLES FOR SECURING LADDER RACK PERPENDICULAR AND PARALLEL TO 4 POST RACK.

MOUNTING RAILS (ADJUSTABLE FROM 2.75" TO 30")

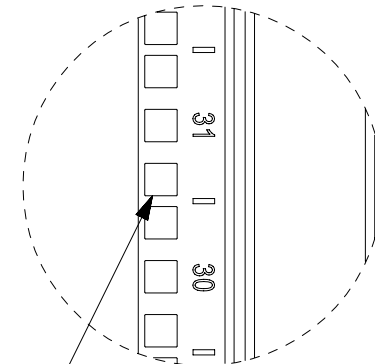
CUTOUTS ARE FOR MOUNTING PANDUIT ACCESSORIES SEE NOTE 1.

CROSS BEAMS ARE MARKED EVERY 1/2" FOR MOUNTING RAIL ALIGNMENT

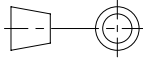
MOUNTING HOLES FOR VERTICAL MANAGERS. DOUBLE HOLES ARE FOR MOUNTING PATCHRUNNER. SINGLE HOLES ARE FOR SIDE MOUNTING NETRUNNER.



R4P79 RAILS HAVE TAPPED HOLES



R4P79CN RAILS HAVE CAGE NUT HOLES

PART NUMBER		R4P79, R4PCN79	
TITLE		30" DEEP 4 POST RACK	
		CUSTOMER DRAWING	
ITEM REVISION NAME		V10687AP/07	
DATASET FILE NAME		V10687AP_DC/07A	
		THIRD ANGLE PROJECTION	
MATERIAL		STEEL	
		DRAWING NUMBER	
		V10687AP-DC	
DRAWN BY	DATE	CHK	SCALE
PM	7-27-10	DPN	NONE
SHEET 3 OF 3			SIZE
			A

REV	DATE	BY	CHK	APR	DESCRIPTION	ECN
07A	3-23-23	TWV	MPOL	KCOR	SEE SHEET ONE FOR REVISIONS	V10687AP

A-SIZE CUSTOMER

2

1

2

1