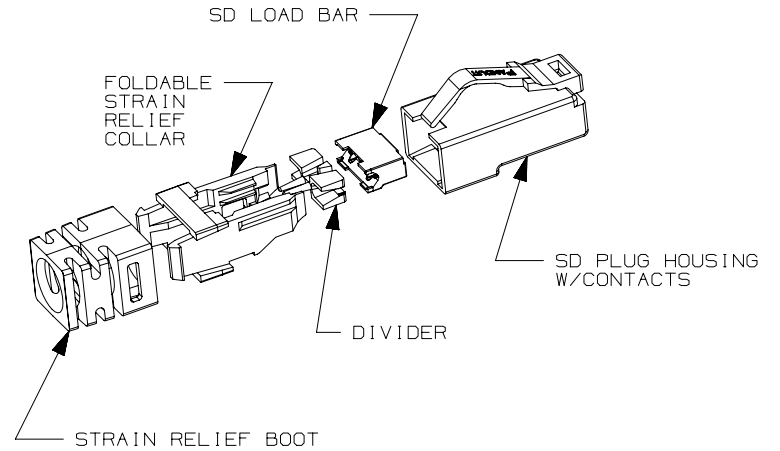
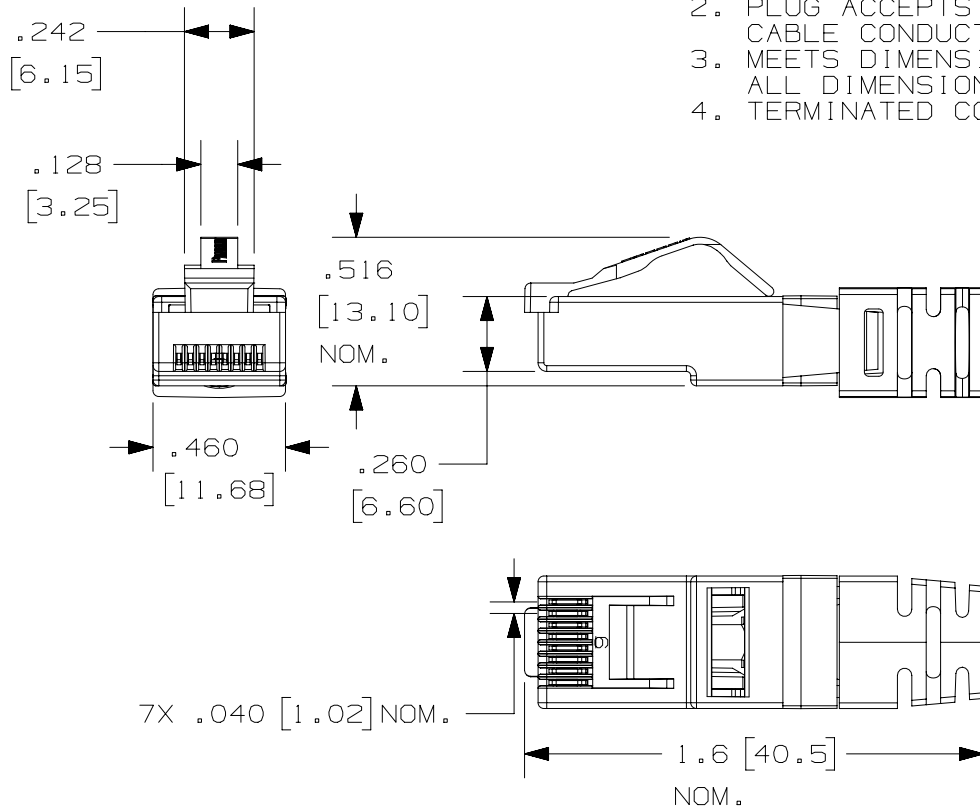


THIS COPY IS PROVIDED ON A RESTRICTED BASIS AND IS NOT TO BE USED IN ANY WAY DETRIMENTAL TO THE INTERESTS OF PANDUIT CORP.

PANDUIT P/N	WEIGHT
SP6X88SD-C	.047 lb/10 PCS (21.4 g/10 PCS)

NOTES:

1. MATERIAL: HOUSING, LOAD BAR, DIVIDER, STRAIN COLLAR - THERMOPLASTIC UL94V-0 RATED; STRAIN RELIEF BOOT - CLEAR PVC; CONTACT TERMINAL - PHOSPHOR BRONZE ELECTRO-POLISHED AND PLATED WITH .000050" MIN. GOLD IN MATING AREA, GOLD FLASH OVER REMAINDER, .000100" MIN. NICKEL UNDERPLATE.
2. PLUG ACCEPTS 4 PAIR CABLE .215-.250" DIA WITH 26 AWG COPPER CABLE CONDUCTORS WITH A MAXIMUM INSULATOR DIAMETER OF .040".
3. MEETS DIMENSIONAL REQUIREMENTS OF FCC PART 68 AND IEC 60603-7. ALL DIMENSIONS MAXIMUM UNLESS OTHERWISE SPECIFIED.
4. TERMINATED CONTACT HEIGHT DIMENSION: .237±.005".



PART NUMBER	SP6X88SD-C	PRODUCT SPEC/PKG SPEC	N/A
I.T. NUMBER	N/A	WORK INSTRUCTION	N/A
TITLE			
<b>TX6A-SD 10 GIG UTP MODULAR PLUG FOR CATEGORY 6A CORDS</b>			
CUSTOMER DRAWING			
ITEM REVISION NAME		09M129AD/03	
DATASET FILE NAME		09M129AD_DC02/03A	
UNLESS OTHERWISE SPECIFIED, DIMENSIONAL TOLERANCES ARE: IN [mm]		MATERIAL:	
.x ± .1 [2.54]		.xxx ± .005 [0.127]	
.xx ± .01 [0.25]		ANGLES ± 5°	
		THIRD ANGLE PROJECTION	
DRAWN BY		DRAWING NUMBER:	
BJN		09M129AD-02	
DATE		SHT 1 OF 1	
4-4-13		A	
CHK	JSP	SCALE	NONE
APR	DESCRIPTION	ECN	

REV	DATE	BY	CHK	APR	DESCRIPTION	ECN
03A	7-11-23	BJN	REFR	SKH	UPDATED	M09000TP
2	5-14-14	BJN	EJH	EJH	UPDATED	09M129AD-02
1	9-24-13	BJN	JAV	EJH	UPDATED	09M129AD-02
R	4-4-13	BJN	JSP	EJH	RELEASED TO PRODUCTION	09M129AD-02

D10100DA/14