

Mini-Com® TX6A™ Keyed UTP Jack Modules

specifications

Category 6A/Class E_A, 8-position keyed UTP jack modules shall terminate unshielded twisted 4-pair, 22 – 26 AWG, 100 ohm cable without a punchdown tool. The jack module shall be mechanically keyed with color-specific positive and negative keying features to prevent unintentional mating with unlike keyed or nonkeyed modular plugs. The forward motion termination method shall optimize performance by maintaining cable pair geometry and eliminating conductor untwist. The Blue termination cap shall be color-coded for T568A and T568B wiring schemes.



technical information

Category 6/Class E_A channel and component performance:	Certified channel performance in a 4-connector configuration up to 100 meters and exceeds the requirements of ANSI/TIA-568.2-D Category 6A and ISO 11801 Class E _A standards swept up to 650 MHz for supporting 10GBASE-T transmission over twisted-pair cabling systems as part of the TX6A 10Gig UTP Copper Cabling System Exceeds component requirements of ANSI/TIA-568.2-D Category 6A and ISO 11801 Class E _A standards for supporting 10GBASE-T transmission over twisted-pair cabling systems
FCC and ANSI compliance:	Meets ANSI/TIA-1096-A; contacts plated with 50 microinches of gold for superior performance
IEC compliance:	Meets IEC 60603-7 and IEC 60512-99-002
PoE and PoH compliance:	Meets IEEE 802.3af / 802.3at and 802.3bt type 3 and type 4. Supports Power over HDBaseT up to 100 watts.
c(UL)us Listed:	UL 1863 (Use as communications circuit accessory); CSA standard C22.2 UL 2043 (Suitable for use in air-handling spaces)
RoHS compliance:	Compliant
Conductor termination range:	Wire cap compatible with 22 – 26 AWG solid or stranded cable with conductor insulation diameters of 0.060 in. max and overall cable O.D. 0.200 in. to 0.330 in.
Operating temperature:	-10°C to 75°C (14°F to 167°F)

key features and benefits

Color specific keys with positive and negative keying features	Mechanically and visually distinguish connections to prevent unintentional insertion into unlike keyed or non-keyed ports, visualize network design flexibility and versatility, and accommodate discrete networks
100% performance tested	Confidence that each jack module will deliver the critical electrical performance requirements
Utilizes enhanced Giga-TX™ Technology	Wire cap optimizes performance by eliminating conductor untwist and reduces installation time and expense, simplifies termination, and maintains conductor twists for reliable and consistent terminations
Alien crosstalk suppression	Innovative MaTriX split foil technology provides superior alien crosstalk performance enabling high density applications
True strain relief	Controls cable bend radius for long term installed performance
Modular	Jack modules snap in and out of Mini-Com Faceplates, modular patch panels, and surface mount boxes for easy moves, adds, and changes
Individually serialized	Marked with quality control number for future traceability
Integrated block out feature	Prevents standard RJ45 modular plugs from mating with keyed jack modules

applications

The TX6A 10 Gig Keyed UTP Jack Modules are components of the TX6A UTP Copper Cabling System. Keyed connectivity enables visual and mechanical differentiation, and physical layer security that conventional cabling systems cannot provide. The end-to-end system provides a cost-effective medium to easily and continuously meet network bandwidth requirements. TX6A UTP Copper Cabling System offers high bandwidth applications within data centers and connections to high-end workstations. Key applications include:

- 10GBASE-T Ethernet
- Data center server virtualization
- Backbone aggregation
- Data center I/O consolidation
- Consolidation of network interconnects
- Parallel processing and high speed computing

Mini-Com TX6A Keyed UTP Jack Modules

Keyed A (Black):	CJK6X88TGBL
Keyed B (Red):	CJK6X88TGRD
Keyed C (Green):	CJK6X88TGGR
Keyed D (Yellow):	CJK6X88TGYL
Keyed E (Orange):	CJK6X88TGOR
Keyed F (Blue):	CJK6X88TGBU

TX6 Keyed UTP Patch Cords

Keyed A (Black):	UTPK6A*BL
Keyed B (Red):	UTPK6A*RD
Keyed C (Green):	UTPK6A*GR
Keyed D (Yellow):	UTPK6A*YL
Keyed E (Orange):	UTPK6A*OR
Keyed F (Blue):	UTPK6A*BU

Tools and Accessories

Termination tool:	TGJT or EGJT-1
Wire snipping tool:	CWST
Wire stripping tool:	CJAST
Clear dust cap:	MDC-C

*Substitute for length in feet: 3, 5, 7, 10, or 14 feet. Contact customer service for universal reference patch cords.

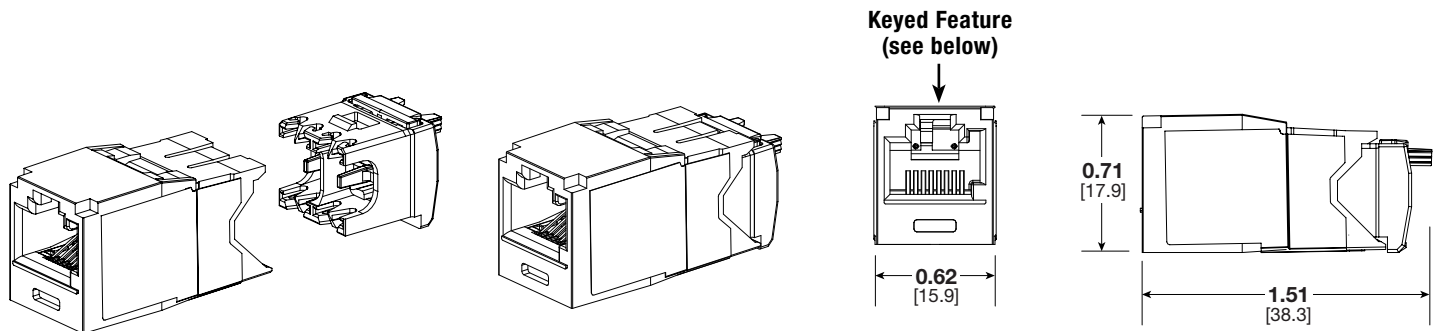
Mini-Com® TX6A™ Keyed UTP Jack Modules

test results

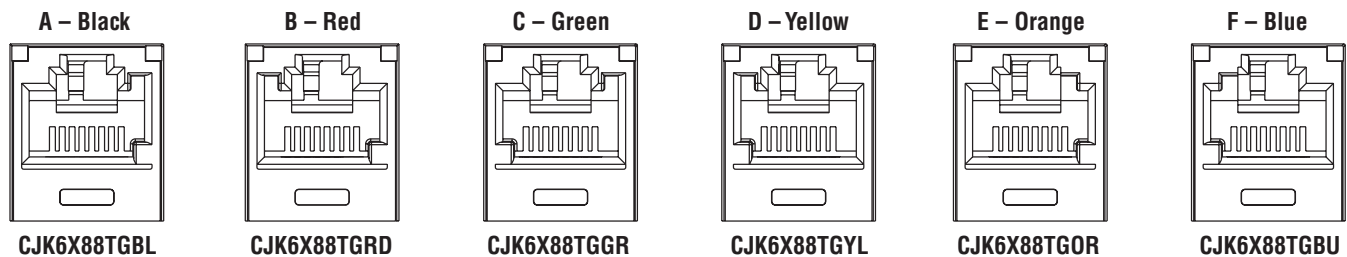
Mechanical Test	Test Method	Measurement	Typical Test Results
Normal force	ANSI/TIA-1096-A	Load (grams)	>100
Vibration	IEC 512-6d	Circuit Resistance (mOhms)	<40
Shock	IEC 512-6c	Contact Disturbance (microseconds)	<5
Durability	IEC 512-9a	Circuit Resistance (mOhms)	<40
Mating/un-mating	IEC 512-13b	Mating Force (N)	<20
		Un-Mating Force (N)	<20
Termination cycles	IEC 352	Number of Cycles	>20
Mating cycles	IEC 60603-7	Number of Plug Insertions	>2500

Electrical Test	Test Method	Measurement	Typical Test Results
Low level circuit resistance	IEC 512-2a	Resistance (mOhms)	<20
Dielectric withstand voltage	IEC 512-4a	1000 VAC, 1 minute	Passed
Insulation resistance	IEC 512-3a	Resistance (MOhms)	>500

Environmental Test	Test Method	Measurement	Typical Test Results
Temperature life	IEC 512-9b	Circuit Resistance (mOhms)	<40
Humidity	IEC 512-11c	Circuit Resistance (mOhms)	<40
Thermal shock	IEC 512-11d	Circuit Resistance (mOhms)	<40
Climatic sequence	IEC 512-11a	Circuit Resistance (mOhms)	<40
Flowing mixed gas corrosion	IEC 512-11g	Circuit Resistance (mOhms)	<40



UTP Jack Color/Key Code and Part Number



Dimensions are in inches. [Dimensions in brackets are metric].

WORLDWIDE SUBSIDIARIES AND SALES OFFICES

PANDUIT US/CANADA
Phone: 800.777.3300

PANDUIT EUROPE LTD.
London, UK
Phone: 44.20.8601.7200

PANDUIT SINGAPORE PTE. LTD.
Republic of Singapore
Phone: 65.6305.7575

PANDUIT JAPAN
Tokyo, Japan
Phone: 81.3.6863.6000

PANDUIT LATIN AMERICA
Guadalajara, Mexico
Phone: 52.33.3777.6000

PANDUIT AUSTRALIA PTY. LTD.
Victoria, Australia
Phone: 61.3.9794.9020

For a copy of Panduit product warranties, log on to www.panduit.com/warranty

For more information

Visit us at www.panduit.com
Contact Customer Service by email: cs@panduit.com
or by phone: 800.777.3300

PANDUIT®

© 2022 Panduit Corp.
ALL RIGHTS RESERVED.
COSP486-WW-ENG
10/2022