



PAN-WAY INTERMEDIATE JUNCTION BOX

FOR USE WITH PANDUIT SURFACE RACEWAY ROUTING SYSTEM

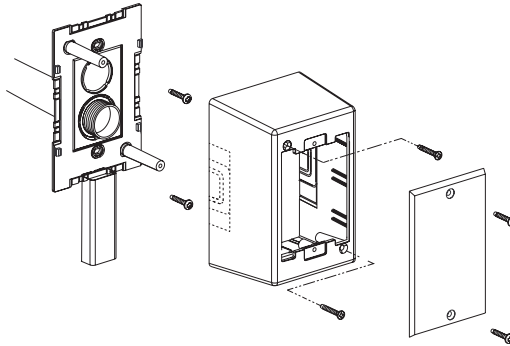
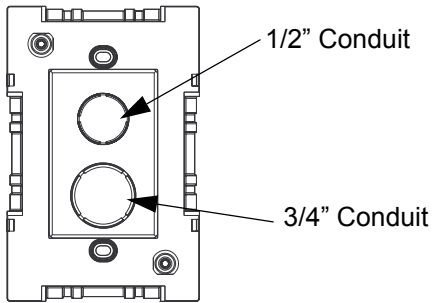
Part Numbers: JBP11

INSTALLATION INSTRUCTIONS

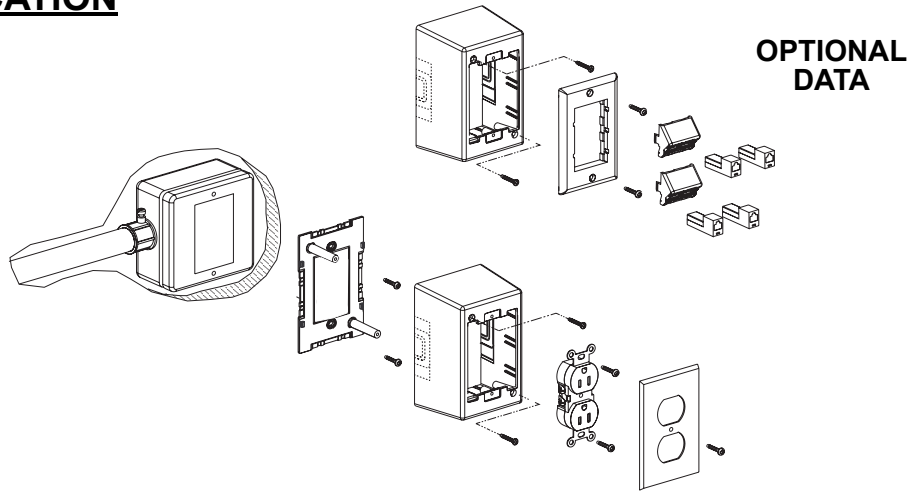
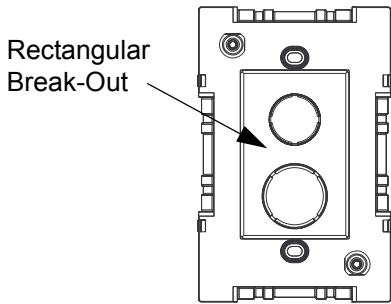
©Panduit Corp. 2005

Printed in U.S.A.

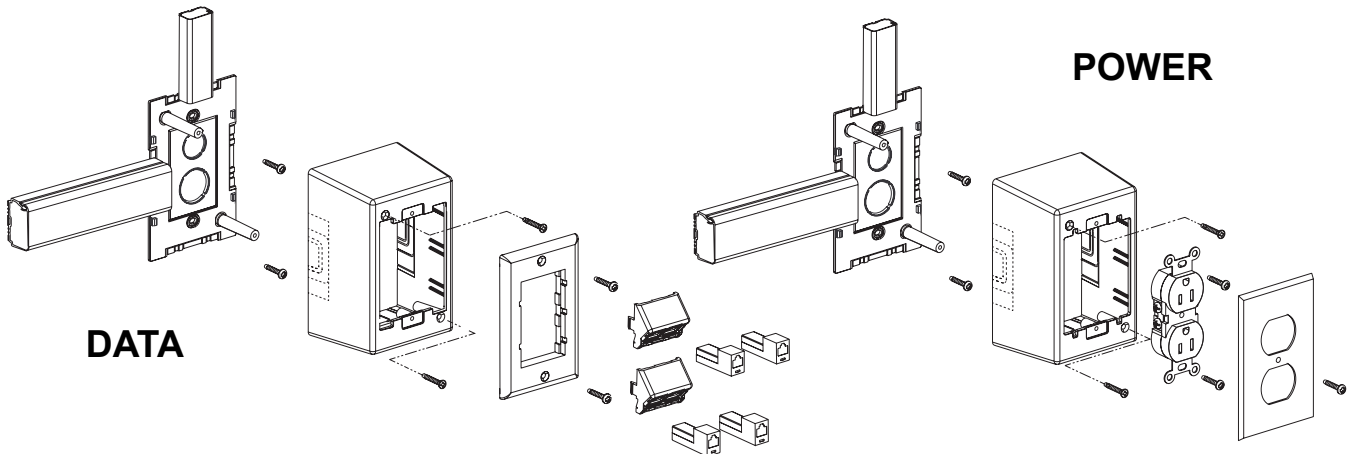
CONDUIT APPLICATION



IN-WALL BOX POWER APPLICATION

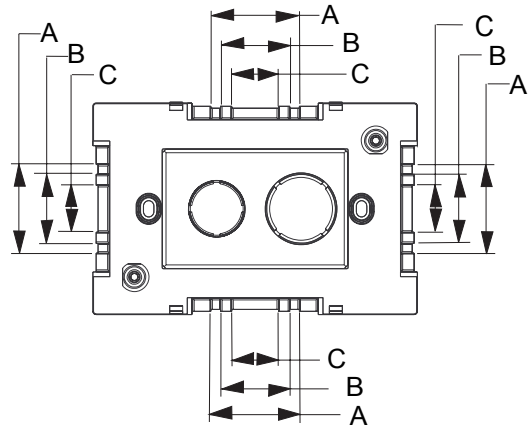
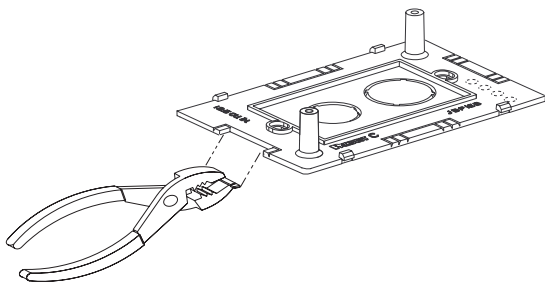
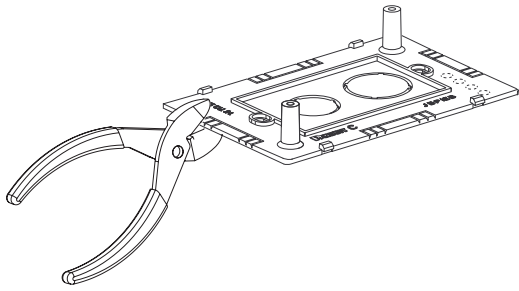


SURFACE RACEWAY APPLICATION



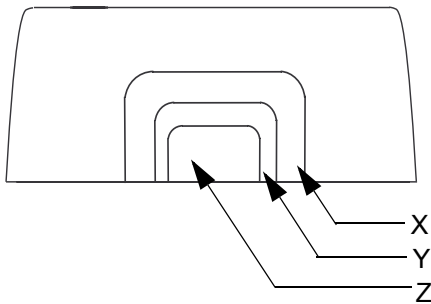
INTERMEDIATE JUNCTION BOX INSTALLATION INSTRUCTIONS

BASE BREAKOUTS

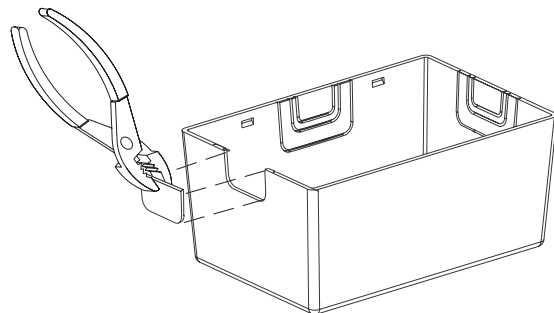
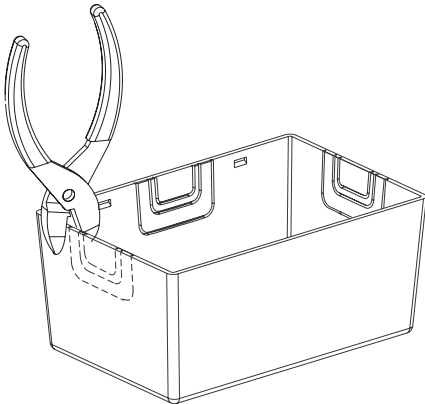


BASE	RACEWAY
A	LDPH10, LD10
B	LDPH5, LD5, LDS5, PD6
C	LDPH3, LD3, LDS3, PD3

COVER BREAKOUTS



COVER	RACEWAY	ADAPTER
X	LDPH10, LD10, CD10	-
X	PD3	BA3
X	PD6	BA6
Y	LD5, LDPH5, LDS5	-
Z	LD3, LDS3, LDPH3	-



Instruction Sheet RW51

WORLDWIDE SUBSIDIARIES AND SALES OFFICES

17301 Ridgeland Avenue
Tinley Park, IL 60477-3091
Web Site: www.panduit.com



Technical Support: 866-405-6656
Fax: 866-449-1702
Email: netconnsupport@panduit.com