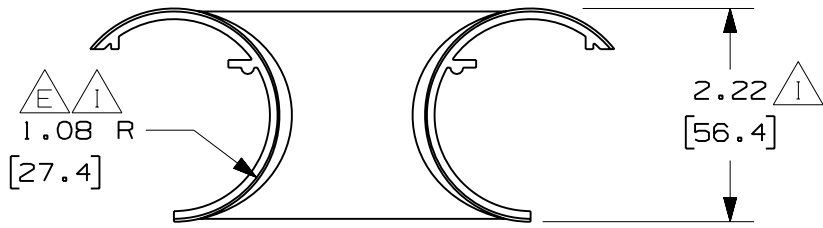


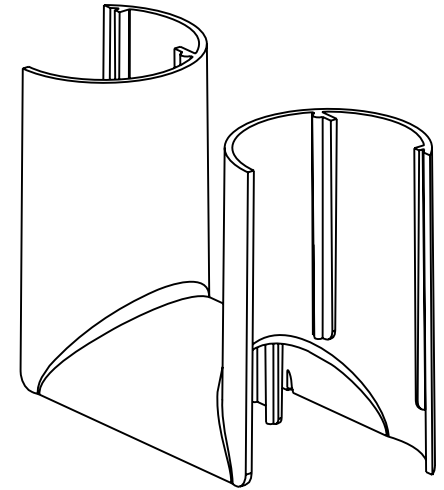
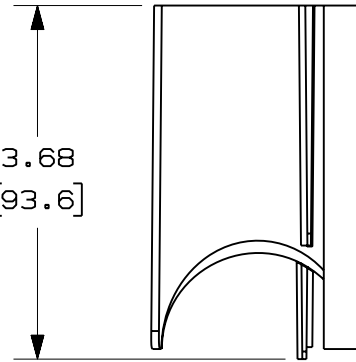
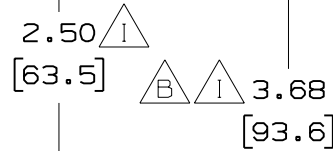
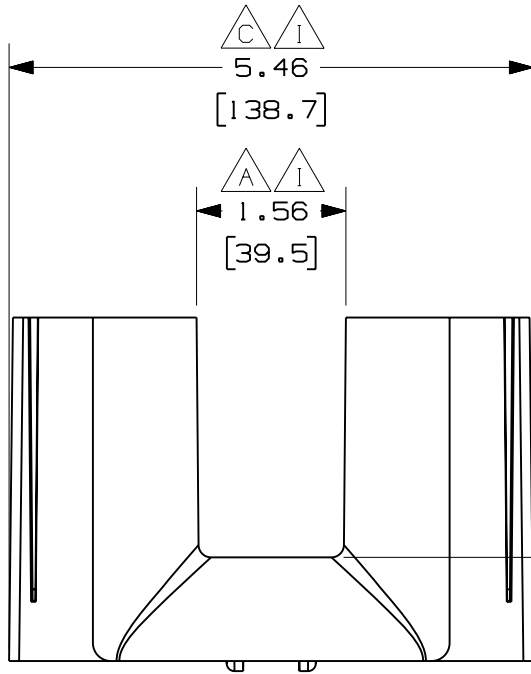
THIS COPY IS PROVIDED ON A RESTRICTED BASIS AND IS NOT TO BE USED IN ANY WAY DETRIMENTAL TO THE INTERESTS OF PANDUIT CORP.



NOTES:

1. SEE CURRENT CATALOG FOR ADDITIONAL PART SUFFIXES TO INDICATE PACKAGE QUANTITY.
2. THE FIBER-DUCT 4x4 AND PANDUCT FS AND G 4x4 WIRING DUCT BEND RADIUS CONTROL TRUMPET ALLOWS FOR CABLES TO SPILL OUT OF THE FIBER-DUCT 4x4 AND PANDUCT FS AND G 4x4 WIRING DUCT WHILE MAINTAINING A 1" (25.4) BEND RADIUS.
3. DIMENSIONS IN PARENTHESES ARE IN METRIC.

PANDUIT PART NUMBER	WEIGHT
TRC4BL	.12 LB/EACH (56g/EACH)



ENG. REF.: D37305BB_DC_TRC4BL_02.prt

CAD FILENAME/LAYERS

F TRC4BL.pdf

REV	DATE	BY	CHK	DESCRIPTION	ECN	R	CUST	SUP	GMBH
3	7-21-06	DTP	RN	J. REVISED PART WEIGHT	37305-02	RN	RN		
-	-----	---	---	I. REVISED DIMENSIONS. H. REVISED GENERAL NOTES.	-----	--	--		
2	10-14-05	MSO	SMF	G. REVISED DRAWING TITLE. F. REVISED CAD FILENAME.	37305-02	RN	RN		
-	-----	---	---	E. RADIUS WAS 1.0 (25).	-----	---	---		
-	-----	---	---	D. DIMENSION WAS 0.1 (3). C. DIMENSION WAS 5.4 (37).	-----	---	---		
1	10-11-00	JBN	JKG	B. DIMENSION WAS 3.6 (91). A. DIMENSION WAS 1.5 (38).	37305-02	JKG	HIW		
R	1-31-00	MSO	JKG	RELEASED TO PRODUCTION	37305-02	HIW	HIW		

<h1>PANDUIT</h1> <p>CORP TINLEY PARK, ILLINOIS</p>		<p>FIBER-DUCT 4x4 AND PANDUCT FS AND G 4x4 WIRING DUCT BEND RADIUS CONTROL TRUMPET (TRC4BL) CUSTOMER DRAWING</p>	
		<p>UNLESS OTHERWISE SPECIFIED, DIMENSIONAL TOLERANCES ARE: (.X) ± (.XXX) ± (.XX) ± .03 (.8) ANGLES ±</p>	
<p>UNLESS OTHERWISE SPECIFIED, ALL DIMENSIONS ARE GIVEN IN INCHES, THIRD ANGLE PROJECTION.</p>	<p>SCALE</p> <p>NONE</p>	<p>DRAWN BY</p> <p>MSO</p>	<p>MAT'L:</p> <p>ABS</p>
<p>DATE</p> <p>1-31-00</p>	<p>DRAWING NO.</p> <p>37305-02</p>	<p>CHK'D</p> <p>HIW</p>	<p>DWG</p> <p>A</p> <p>SIZE</p>