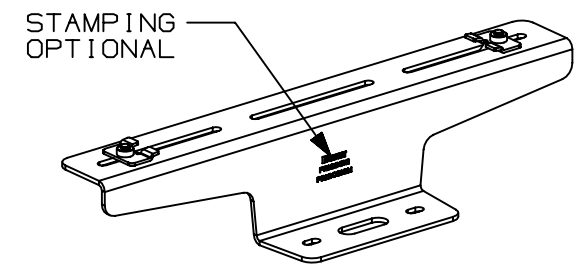
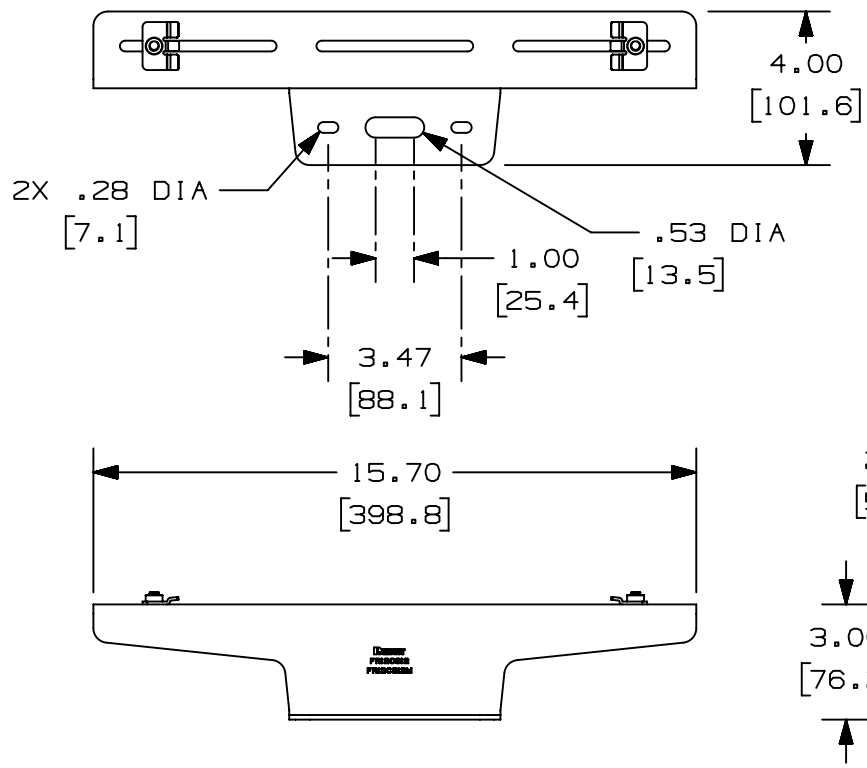


THIS COPY IS PROVIDED ON A RESTRICTED BASIS AND IS NOT TO BE USED IN ANY WAY DETRIMENTAL TO THE INTERESTS OF PANDUIT CORP.

PANDUIT PART NUMBER	WEIGHT
FR12CS12 FR12CS12M	2.42 LB/EACH (1099g/EACH)

NOTES:

1. SEE CURRENT CATALOG FOR ADDITIONAL PART SUFFIXES TO INDICATE PACKAGE QUANTITY.
2. THE FIBERRUNNER 12x4 QUIKLOCK CENTER SUPPORT BRACKET IS USED TO SUPPORT THE FIBERRUNNER 12x4 CABLE ROUTING SYSTEM FROM NEW 1/2" (M12) THREADED ROD (NOT INCLUDED).
3. THE FIBERRUNNER 12x4 QUIKLOCK CENTER SUPPORT BRACKET INCLUDES:  
ONE (1) BRACKET ASSEMBLY,  
TWO (2) 1/2 HELICAL SPRING LOCKWASHERS,  
TWO (2) 1/2-13 HEAVY HEX NUTS (FR12CS12 ONLY),  
TWO (2) M12x1.75 HEX NUTS (FR12CS12M ONLY),  
ONE (1) 1/4-20 T-BOLT,  
ONE (1) 1/4-20 HEX KEPS NUT.
4. FINISH COLOR: BLACK (EXCEPT FOR HARDWARE).
5. DIMENSIONS IN PARENTHESES ARE IN METRIC.



REV	DATE	BY	CHK	APR	DESCRIPTION	ECN
05A	9/12/19	MEX-JAGC	FWI	FWI	H. "STAMPING OPTIONAL" LABEL ADDED SEE PREVIOUS REVISION FOR HISTORY	V09002CN/04

TITLE FIBERRUNNER 12x4 QUIKLOCK CENTER SUPPORT BRACKET - 1/2" (M12) THREADED ROD CUSTOMER DRAWING					
ITEM REVISION NAME D37797CF/05			<b>PANDUIT</b>		
DATASET FILE NAME D37797CF_DC/05A					
UNLESS OTHERWISE SPECIFIED, DIMENSIONAL TOLERANCES ARE:				MATERIAL: N/A	
DRAWING NUMBER: 37797-57			DRAWING NUMBER: 37797-57		
DRAWN BY JHNU	DATE 5/30/01	CHK CFG	SCALE NONE	SHT 1 OF 1	
THIRD ANGLE PROJECTION			SIZE A		

D10100DA/20