

2

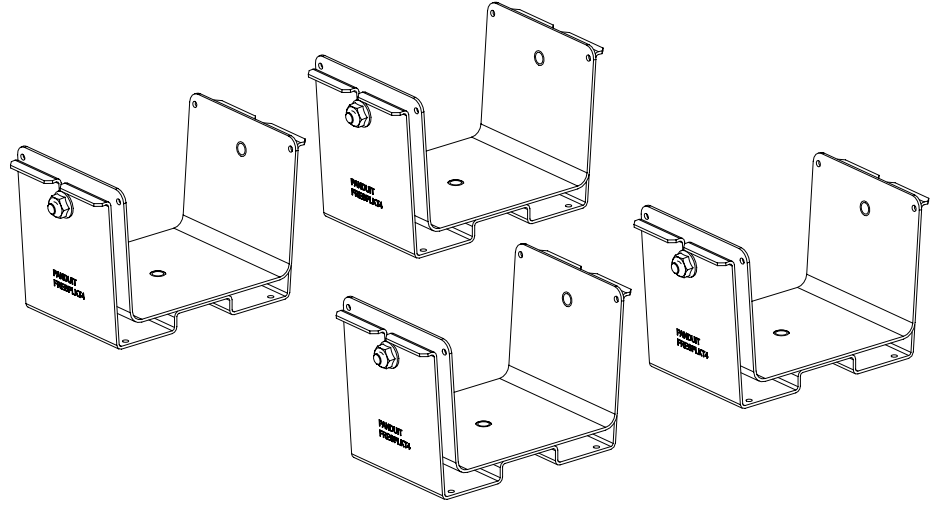
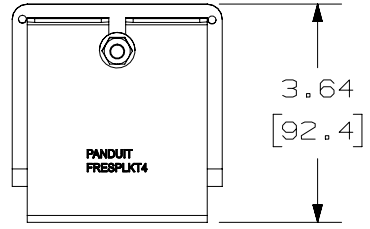
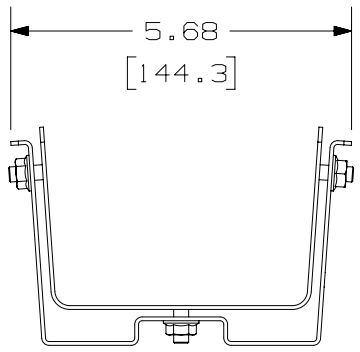
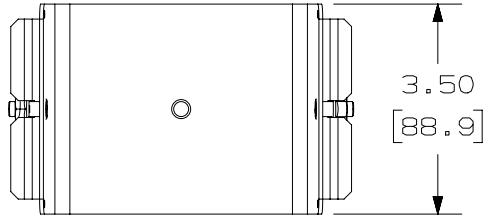
1

THIS COPY IS PROVIDED ON A RESTRICTED BASIS AND IS NOT TO BE USED IN ANY WAY DETRIMENTAL TO THE INTERESTS OF PANDUIT CORP.

PANDUIT PART NO.	WEIGHT
FRESPLKT4	5.8 LBS/EACH (2.63kg/EACH)

NOTES:

- SEE CURRENT CATALOG FOR ADDITIONAL PART SUFFIXES TO INDICATE COLOR AND/OR PACKAGE QUANTITY.
- DIMENSIONS IN PARENTHESIS ARE METRIC.
- EACH PACKAGE CONSISTS OF:
  - (4) - FIBERRUNNER EXPANSION SPLICE INNER SLEEVE BRACKETS.
  - (4) - FIBERRUNNER EXPANSION SPLICE OUTER SLEEVE BRACKETS.
  - (12) - 1/4-20 HEX SERRATED FLANGE NUTS.



REV	DATE	BY	CHK	APR	DESCRIPTION	ECN
01A	3/15/18	MEX-JAGC	DWR	DWR	DRAWING RELEASING	V09001NW/03

TITLE FIBERRUNNER EXPANSION SPLICE BRACKET KIT 4X4, BLACK - (FRESPLKT4)		CUSTOMER DRAWING	
ITEM REVISION NAME 00104EAA/01		<b>PANDUIT</b>	
DATASET FILE NAME 00104EAA_DC/01A			
DRAWING NUMBER: 00104EAA-DC		MATERIAL: N/A	
THIRD ANGLE PROJECTION		DRAWING NUMBER: SHT 1 OF 1	
DRAWN BY MEX-JAGC	DATE 3/15/18	CHK DWR	SCALE NONE
		SIZE A	

2

1

D10100DA/20