

NetKey® Category 5e UTP Modular Plug

specifications

NetKey® Category 5e/Class D, 8-position, 8-wire, UTP modular plug shall terminate most 4-pair, 24-26 AWG, 100 Ohm, solid or stranded, unshielded twisted pair cable with maximum conductor insulation diameter of 0.040 in. (1.02mm). Simplified termination method shall require no load bar. Guide ramp shall facilitate easy conductor insertion and termination. Modular plug shall terminate to T568A and T568B wiring schemes.



technical information

IEC compliance:	IEC 60603-7
RoHS compliance:	Compliant
UL listed:	UL 1863
CSA listed:	CSA Standard C22.2
Conductor termination:	Conductor Compatible most with 24-26 AWG solid or stranded cable with conductor insulation diameters between 0.035 to 0.040 in.
Operating temperature:	14°F to 140°F (-10°C to 60°C)
Storage temperature:	40°F to 158°F (-40°C to 70°C)
Plug Housing:	UL94V-0 rated clear Polycarbonate
Contacts:	Gold plated phosphor bronze

key features and benefits

Patented tangle-free latch	Prevents snags and provides easy release, saving time and providing reliability on frequent moves, adds, and changes
Robust construction	Rated to 2500 mating cycles

NetKey® Category 5e UTP Modular Plug

10/pack: NKPLG-X

100/pack: NKPLG-C

5000/pack: NKPLG-F

Tools and Accessories

Crimp tool: NKMPT5E

Wire prep tool: WPT-8

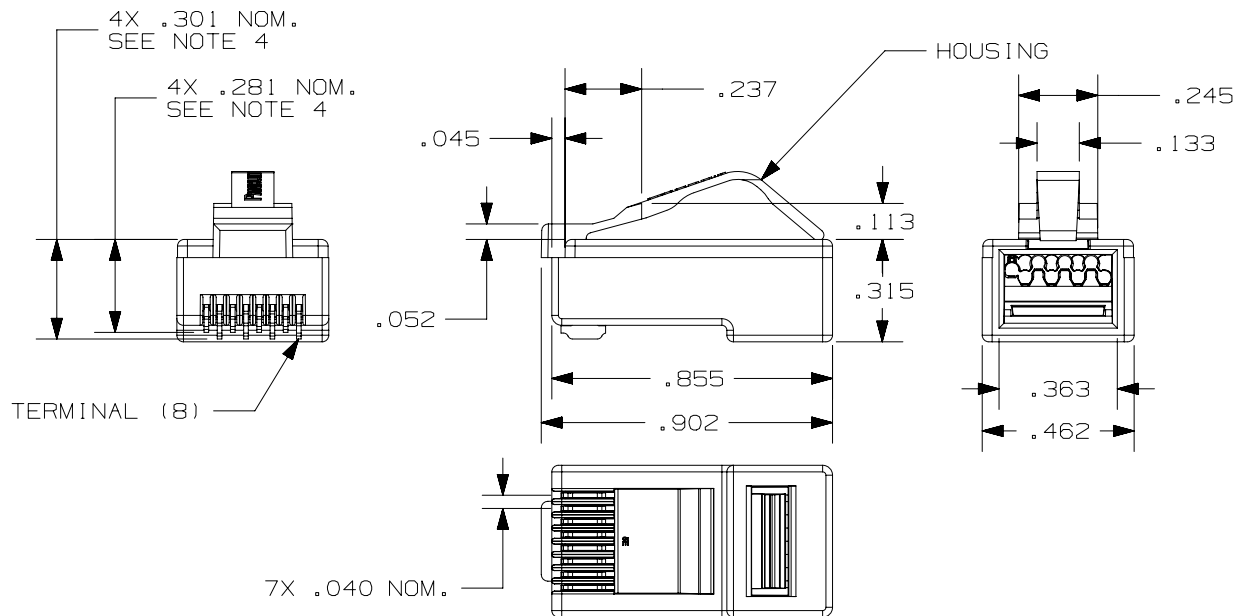
Standard RJ45 plug lock-in device: PSL-DCPLX[^]

Recessed RJ45 plug lock-in device: PSL-DCPLRX[^]

[^]For colors other than Red, add suffix -BL (Black), -BU (Blue), -GR (Green), -YL (Yellow), -OR (Orange), -IW (International White), or -IG (International Gray) to the end of the part number.

10/package. Add -C for bulk packages of 100.

NetKey® Category 5e UTP Modular Plug



WORLDWIDE SUBSIDIARIES AND SALES OFFICES

PANDUIT US/CANADA
Phone: 800.777.3300

PANDUIT EUROPE LTD.
London, UK
Phone: 44.20.8601.7200

PANDUIT SINGAPORE PTE. LTD.
Republic of Singapore
Phone: 65.6305.7575

PANDUIT JAPAN
Tokyo, Japan
Phone: 81.3.6863.6000

PANDUIT LATIN AMERICA
Guadalajara, Mexico
Phone: 52.33.3777.6000

PANDUIT AUSTRALIA PTY. LTD.
Victoria, Australia
Phone: 61.3.9794.9020

For a copy of Panduit product warranties, log on to www.panduit.com/warranty

PANDUIT®

For more information
Visit us at www.panduit.com
Contact Customer Service by email: cs@panduit.com
or by phone: 800.777.3300

©2021 Panduit Corp.
ALL RIGHTS RESERVED.
NKSP71--WW-ENG
3/2021