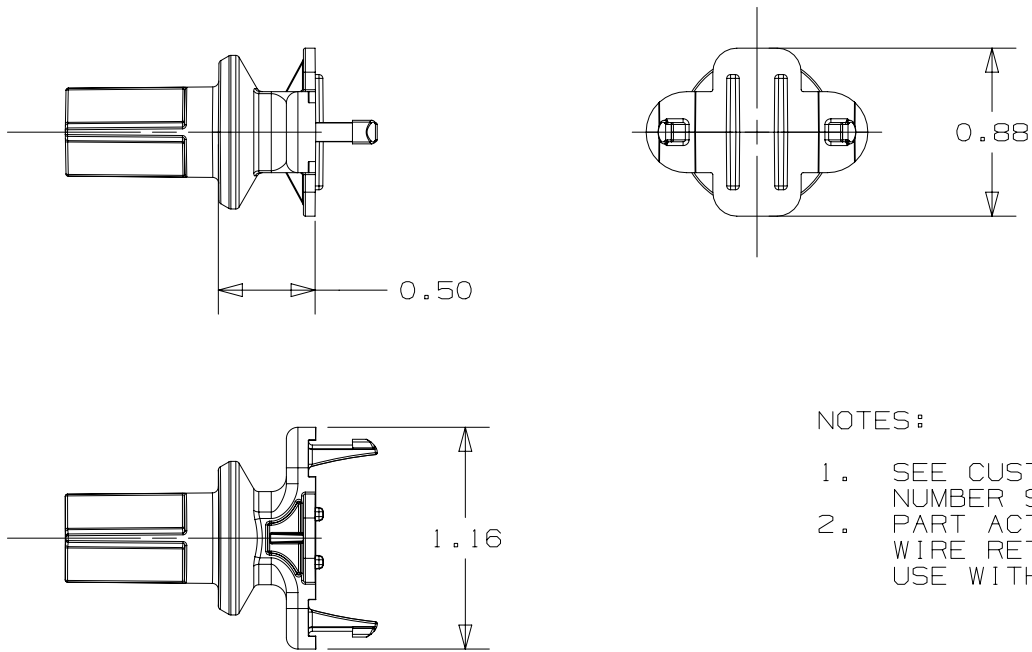


THIS COPY IS PROVIDED ON A RESTRICTED BASIS AND IS NOT TO BE USED IN ANY WAY DETRIMENTAL TO THE INTERESTS OF PANDUIT CORP.



NOTES:

1. SEE CUSTOMER PRICE SHEET FOR PART NUMBER SUFFIX DESIGNATION FOR PACKAGE SIZE.
2. PART ACTS AS A SNAP\_ON BASE FOR ELASTIC WIRE RETAINERS (RER FAMILY OF PARTS) FOR USE WITH QUICK BUILD HARNESS BOARDS.

PRODUCT SPEC	PACKAGING SPEC
PART NUMBER <b>QB - RERBASE</b>	WORK INSTRUCTION
INSPECTION INSTRUCTION NUMBER	FMEA & CONTROL PLAN NUMBER

TITLE <b>QUICK BUILD RER BASE</b>	
CUSTOMER DRAWING	
ITEM REVISION NAME <b>14L203EQ/15</b>	<b>PANDUIT</b>
DATASET FILE NAME <b>14L203EQ_DC/15</b>	
UNLESS OTHERWISE SPECIFIED, DIMENSIONAL TOLERANCES ARE: IN [ mm ]	
.x ± .1 [ 2.54 ]	.xxx ± .005 [ .127 ]
.xx ± .01 [ .25 ]	ANGLES ± 5 °
MATERIAL: <b>ABS, BLACK</b>	DRAWING NUMBER: <b>14L203EQ_DC</b>

0	10/19/16	DFA	CLW	JHAC	INITIAL RELEASE	GAECN03842
---	----------	-----	-----	------	-----------------	------------

REV	DATE	BY	CHK	APR	DESCRIPTION	ECN	DRAWN BY <b>DFA</b>	DATE <b>10/18/16</b>	CHK <b>JHAC</b>	SCALE <b>NONE</b>	SHT 1 OF 1	SIZE <b>A</b>
-----	------	----	-----	-----	-------------	-----	------------------------	-------------------------	--------------------	----------------------	------------	------------------

D10100DA/20