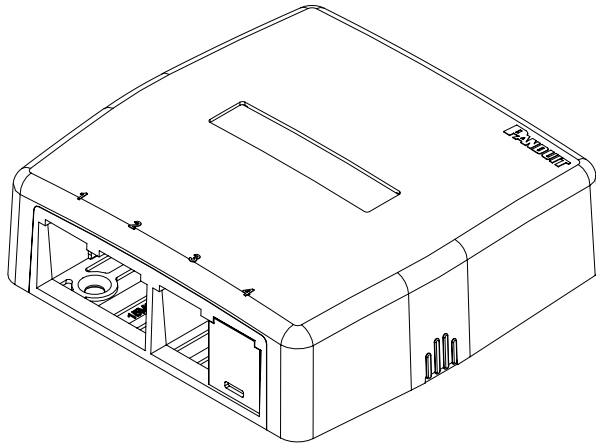
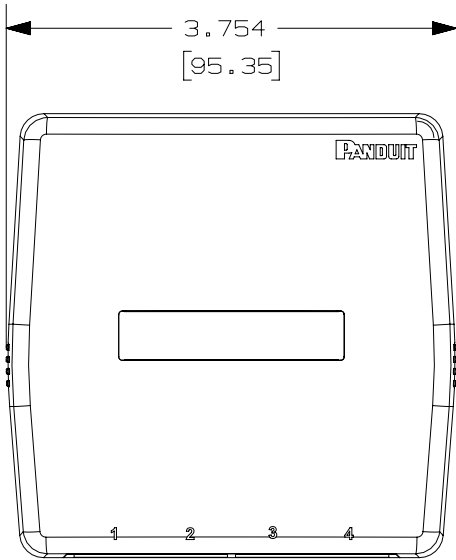


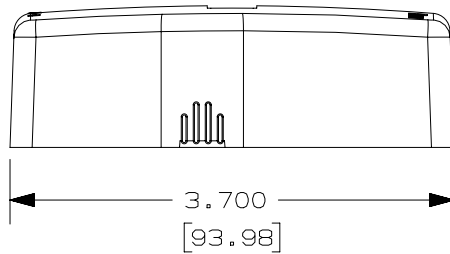
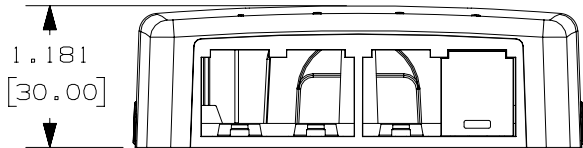
THIS COPY IS PROVIDED ON A RESTRICTED BASIS AND IS NOT TO BE USED IN ANY WAY DETRIMENTAL TO THE INTERESTS OF PANDUIT CORP.


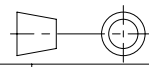


PANDUIT P/N	WEIGHT
J0Q3B0000	1.11 LB/10 PCS
J0Q3B0000BL	504.1 g/10 PCS

NOTES:

1. SEE CURRENT CATALOG FOR ADDITIONAL PART NUMBER SUFFIXES TO INDICATE COLOR AND/OR PACKAGE QUANTITY.
2. SEE CATALOG FOR A COMPLETE LIST OF PARTS APPLICABLE FOR USE WITH THIS PART.
3. DIMENSIONS IN PARENTHESES ARE IN METRIC.
4. BREAKOUTS DESIGNED TO ACCEPT LD3/LDPH3 and LD5/LDPH5 RACEWAY.
5. INCLUDED WITH BOX KIT:
 - a. (1) BOX COVER
 - b. (1) BOX BASE
 - c. (2) PLT1M PAN-TY
 - d. (1) LABEL AND LABEL COVER
 - e. (1) SCREW (USED TO SECURE COVER TO BASE)
 - f. (2) MAGNET (ATTACHED)
 - g. (1) CMB BLANK MODULE



PART NUMBER		SEE TABLE	
TITLE			
MINI-COM 3 PORT BOX W/ QUICK RELEASE COVER			
CUSTOMER DRAWING			
ITEM REVISION NAME		15M583CV/08	
DATASET FILE NAME		15M583CV_DC02/08A	
UNLESS OTHERWISE SPECIFIED, DIMENSIONAL TOLERANCES ARE: IN (mm)			
.X ± .XX ±			
.XXX ± ANGLES ±		MATERIAL:	
		DRAWING NUMBER:	
THIRD ANGLE PROJECTION		15M583CV-02	
DRAWN BY	DATE	CHK	SCALE
BJN	4-5-16	JCO	NONE
SHT 1 OF 2		A	

REV	DATE	BY	CHK	APR	DESCRIPTION	ECN
R	4-11-16	BJN	JCO	MMR	RELEASED TO PRODUCTION	15M583CV-02

D10100DA/14

