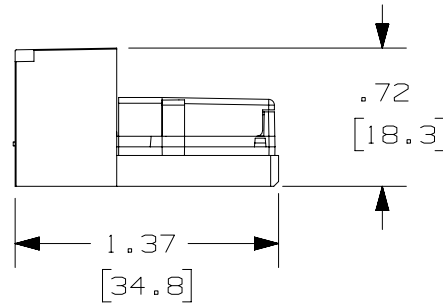
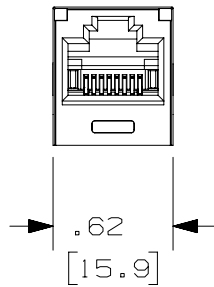
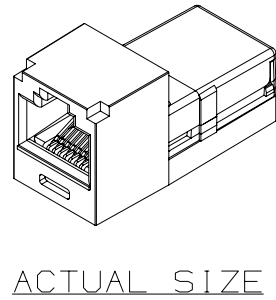
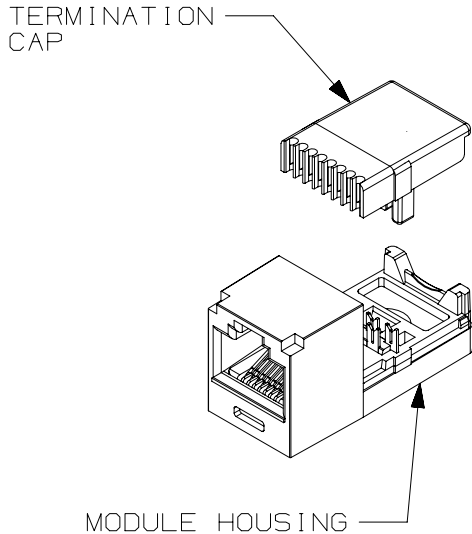


THIS COPY IS PROVIDED ON A RESTRICTED BASIS AND IS NOT TO BE USED IN ANY WAY DETRIMENTAL TO THE INTERESTS OF PANDUIT CORP.

PANDUIT PART NO.	DESCRIPTION	WEIGHT
CJ588**Y	8 POSITION, 8 WIRE UNIVERSAL MODULE. TERMINATION CAP IS COLOR CODED FOR EIA/TIA 568A AND/OR 568B WIRING.	1.25 lb/100 PCS (566 g/100 PCS)



NOTES:

- SEE ON-LINE CATALOG AT WWW.PANDUIT.COM FOR ADDITIONAL PART NUMBER SUFFIXES TO INDICATE COLOR AND OR PACKAGE QUANTITY.
- MATERIAL:
MODULE HOUSING - POLYCARBONATE
NOMINAL WALL THICKNESS .078(2.0).
TERMINATION CAP - POLYCARBONATE
- ALL MINI-COM MINI-JACK 8 POSITION, 8 WIRE MODULES ARE UNIVERSAL IN DESIGN. THEY WILL ACCEPT TWO, THREE, OR FOUR PAIR MODULAR PLUGS WITHOUT DAMAGE.
- THIS PART IS DESIGNED FOR USE WITH MINI-COM OUTLETS.
- MEETS ALL CATEGORY 5e PERFORMANCE REQUIREMENTS AS DEFINED BY EIA/TIA.
- DIMENSIONS IN [] ARE METRIC.

PART NUMBER		CJ588**Y		
TITLE		MINI-COM MINI-JACK CATEGORY 5e CONNECTOR MODULE CUSTOMER DRAWING		
ITEM REVISION NAME		M02479MU/01		
DATASET FILE NAME		M02479MU_DC334/01A		
MATERIAL		SEE NOTE 2		
DRAWING NUMBER		02479-334		
DRAWN BY		DATE	CHK	SCALE
NER	3-23-06	WJC	NONE	
SHEET 1 OF 1		A		

REV	DATE	BY	CHK	APR	DESCRIPTION	ECN
01A	1-31-2024	BJN	ROJC	MMR	UPDATED TITLE BLOCK; MODULE AMTL WAWS ABS	M09000VN

A-SIZE CUSTOMER

2

1

2

1