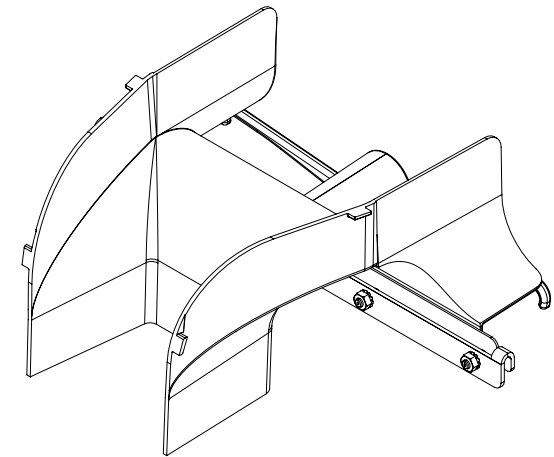
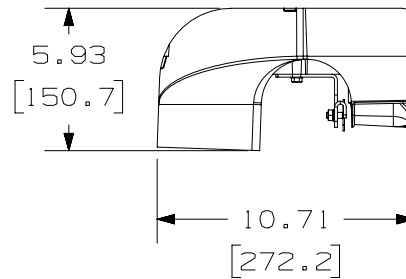
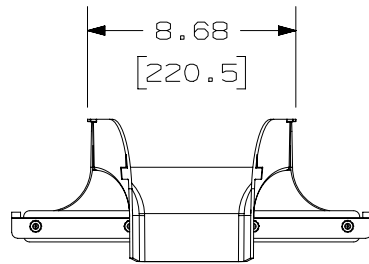
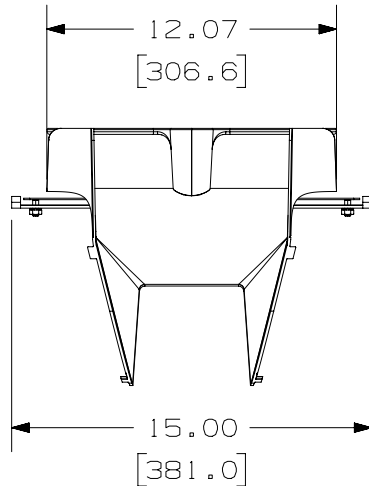


THIS COPY IS PROVIDED ON A RESTRICTED BASIS AND IS NOT TO BE USED IN ANY WAY DETRIMENTAL TO THE INTERESTS OF PANDUIT CORP.

PANDUIT P/N	WEIGHT
PWBSPJ4BL	2.9 LBS/EACH (1315.4g)/EACH

NOTES:

- VISIT OUR ON-LINE CATALOG AT [WWW.PANDUIT.COM](http://WWW.PANDUIT.COM) FOR A LIST OF CURRENT PARTS APPLICABLE FOR USE WITH THIS PRODUCT.
- DIMENSIONS IN [ ] ARE METRIC.
- ALL MATERIALS AND COMPONENTS USED MEET THE MATERIAL RESTRICTIONS OF RoHS (EUROPEAN DIRECTIVE 2011/65/EU ON THE RESTRICTION OF HAZARDOUS SUBSTANCES) AS PROPOSED BY THE RoHS TECHNICAL ADAPTATION COMMITTEE.
- PART INCLUDES:
  - 1- INNER MOUNTING BRACKET
  - 1- OUTER MOUNTING BRACKET
  - 1- SPILL-OVER
  - 1- CABLE MANAGER
  - 4- 1/4-20 KEPS NUT
  - 2- SPILL-OVER MOUNTING SCREW



TITLE										
<b>WIRE BASKET SPILLOVER EXIT 4" (100mm)</b>										
CUSTOMER DRAWING										
ITEM REVISION NAME					00510EDV/01					
DATASET FILE NAME					00510EDV_DC/01C					
					<b>PANDUIT</b> THIRD ANGLE PROJECTION					
										MATERIAL
DRAWN BY					DATE		CHK		SCALE	
SAT					12-17-20		JSP		NONE	
DRAWING NUMBER					00510EDV-DC					
REV					DATE		BY		CHK	
01C					12-14-23		SAT		DWR	
01B					4/1/22		JSP		DWR	
01A					12-17-20		SAT		JSP	
DESCRIPTION					APR		ML		EB	
B. UPDATED TITLE.									00510EDV-DC	
A. ADDED WEIGHT CHART.									00510EDV-DC	
INITIAL RELEASE									00510EDV-DC	
SHEET 1 OF 1									A	

REV	DATE	BY	CHK	APR	DESCRIPTION	ECN
01C	12-14-23	SAT	DWR	EB	B. UPDATED TITLE.	00510EDV-DC
01B	4/1/22	JSP	DWR	ML	A. ADDED WEIGHT CHART.	00510EDV-DC
01A	12-17-20	SAT	JSP	ML	INITIAL RELEASE	00510EDV-DC

A-SIZE CUSTOMER

2

1

2

1