

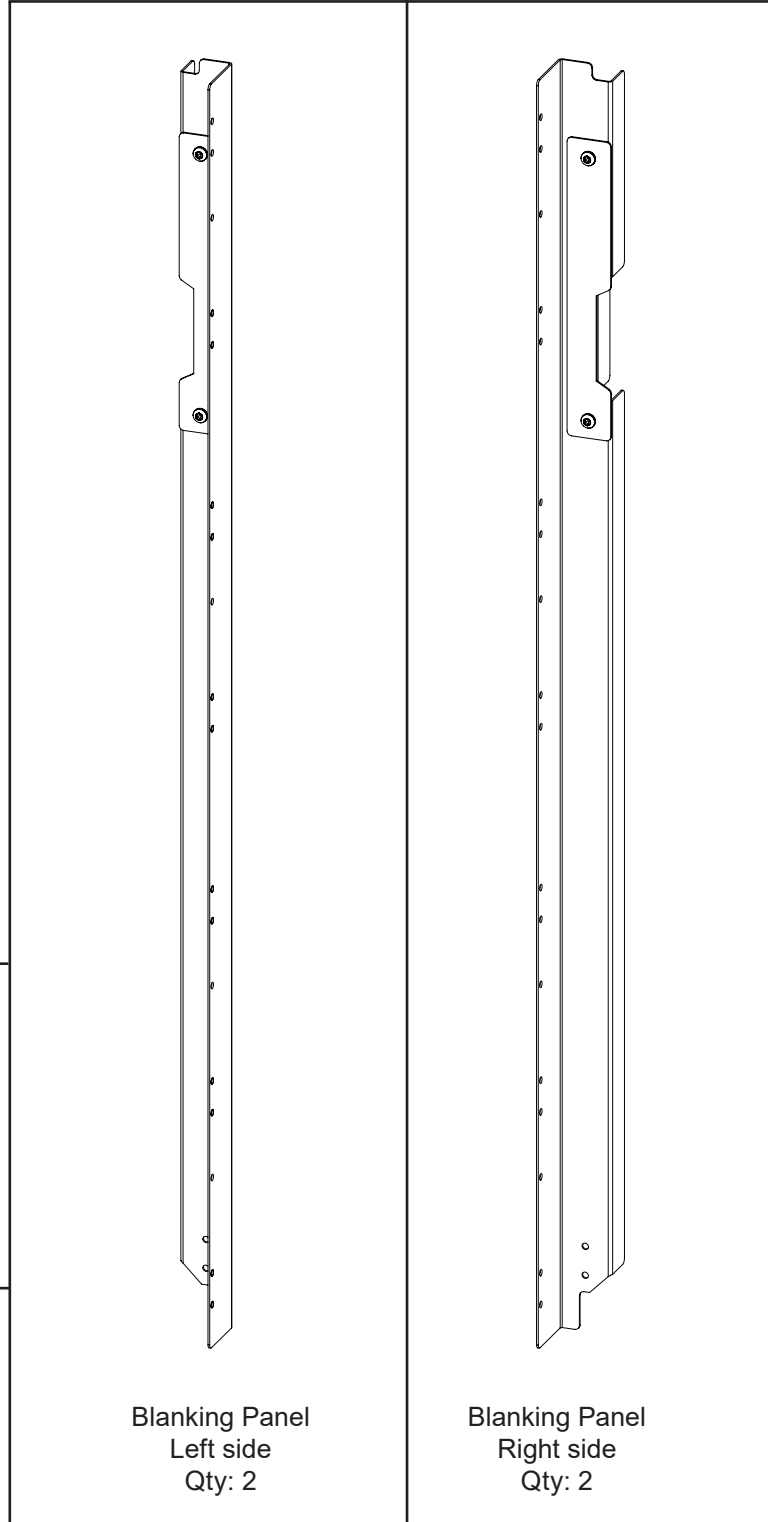
Front of Cabinet

D6VBP\* Installed

Net-Verse  
D-Type  
600mm Wide  
Cabinet

#### Tool List:

- T25 Torx driver



Side Extension  
Qty: 4

M5x0.8 x 10mm  
Pan Head Torx Screw  
Qty: 24

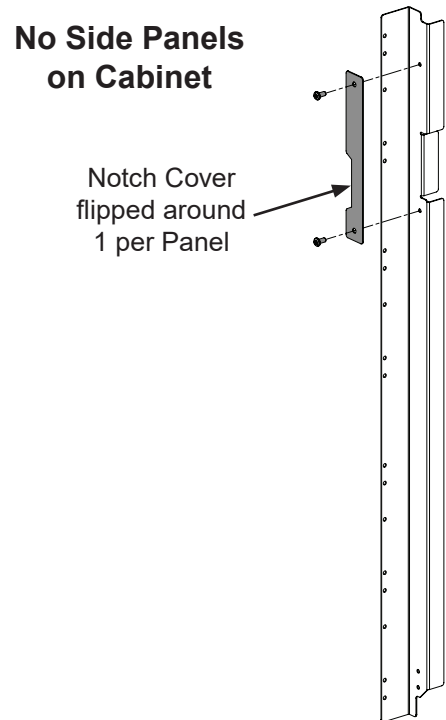
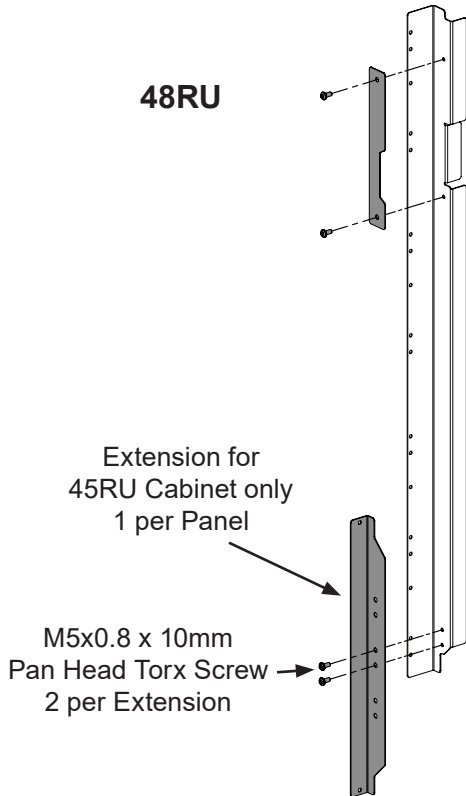
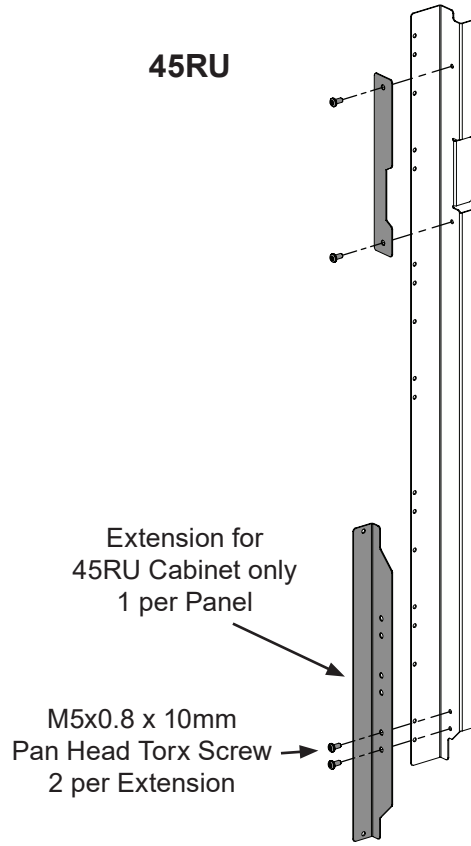
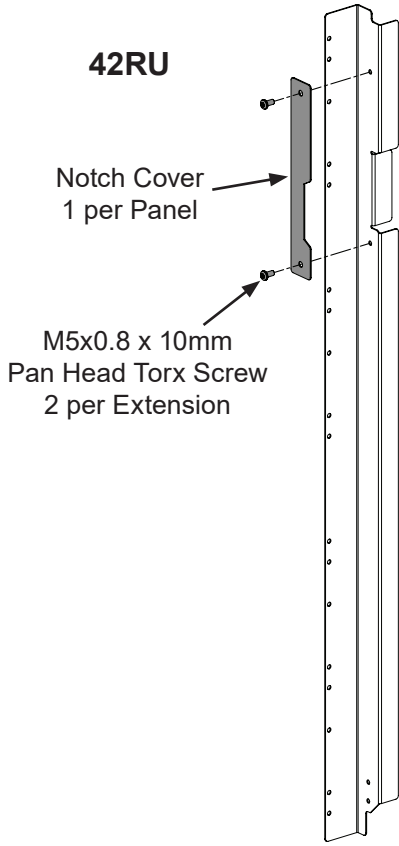
M6 Star Washer  
Qty: 16

Blanking Panel  
Left side  
Qty: 2

Blanking Panel  
Right side  
Qty: 2

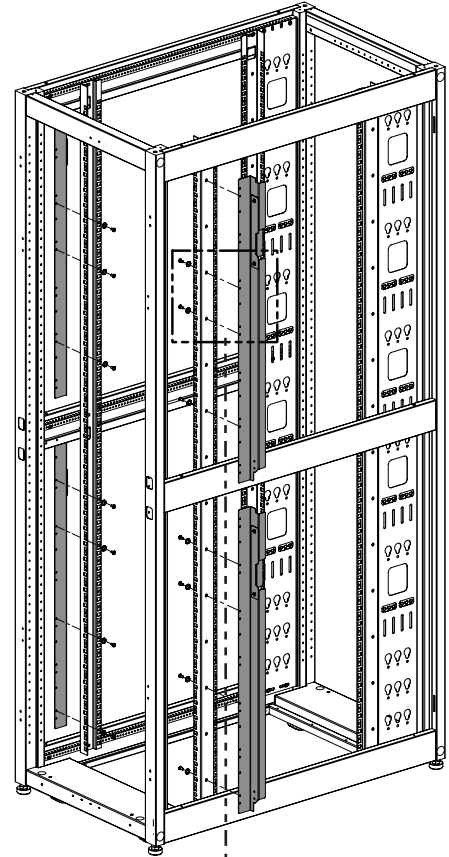
## Determine Configuration of Blanking Panels

- **42RU** - Vertical Blanking Panels come ready to install in a 42RU Cabinet with Side Panels.
- **45RU** - Attach the included Extension as shown to each of the four Panels if installing on a 45RU Cabinet.
- **48RU** - Attach the included Extension as shown to each of the four Panels if installing on a 48RU Cabinet.
- **No Side Panels on cabinet** - When no Side Panels are utilized on the Cabinet then rotate the Notch Cover around as shown.



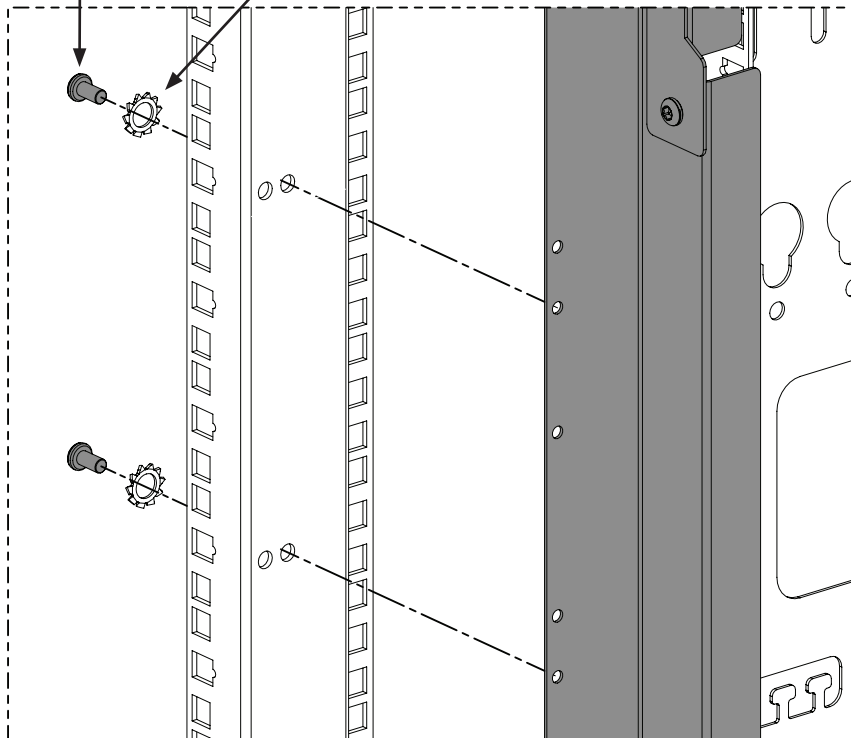
## Install Vertical Blanking Panels

- Attach (4) Vertical Blanking Panels using (4) M5x0.8 x 10mm Pan Head Torx Screw and (4) paint piercing washers per Panel. Install the M5 Button Head screws to 2.7 - 3.0 N·m [23.9 - 26.6 In·lbs].



M5x0.8 x 10mm  
Pan Head Torx Screw  
4 per Panel  
Torque 2.7 - 3.0 N·m  
[23.9 - 26.6 In·lbs]

M6 Star Washer  
4 per panel  
Each mounting screw  
is required to have a  
paint piercing washer  
for bonding the Panel to  
the E-Rail.



For Instructions in Local Languages  
and Technical Support:

[www.panduit.com/resources/install\\_maintain.asp](http://www.panduit.com/resources/install_maintain.asp)

**PANDUIT**

[www.panduit.com](http://www.panduit.com)

E-mail:  
[techsupport@panduit.com](mailto:techsupport@panduit.com)

Phone:  
866-405-6654