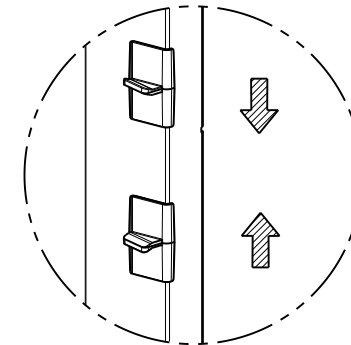
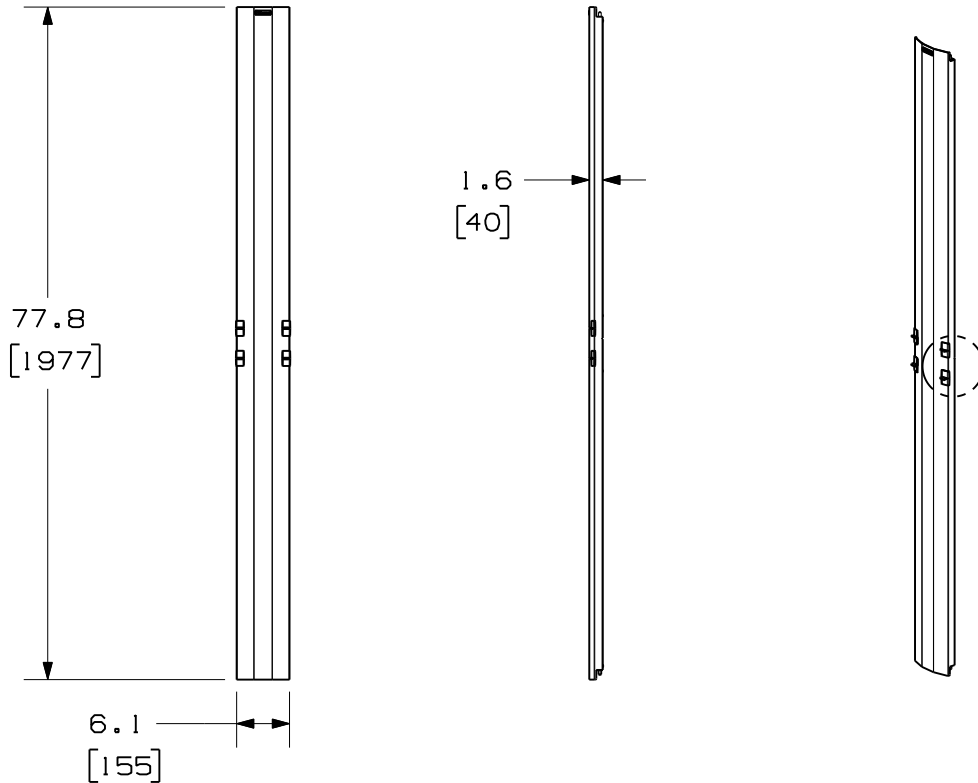


THIS COPY IS PROVIDED ON A RESTRICTED BASIS AND IS NOT TO BE USED IN ANY WAY DETRIMENTAL TO THE INTERESTS OF PANDUIT CORP.

PANDUIT P/N	WEIGHT
PRD679	4.8 LBS/ EACH (2.2 kg/ EACH)

NOTES:

- VISIT OUR ON-LINE CATALOG AT [WWW.PANDUIT.COM](http://WWW.PANDUIT.COM) FOR A CURRENT LIST OF PRODUCTS APPLICABLE FOR USE WITH THIS PART.
- DOORS OPEN TO THE LEFT OR THE RIGHT.
- DIMENSIONS IN PARENTHESIS ARE METRIC.
- ALL DIMENSIONS ARE REFERENCE ONLY.
- ALUMINUM WITH BLACK POWDER COAT FINISH.
- COMPONENTS:  
 1- 6" DOOR  
 2- DOOR STOP BRACKETS  
 4- #10-32 X 1/2" SCREWS



DOOR LATCH ACTIVATION

MODEL FILENAME		V10687AF/01	
CAD FILENAME/LAYERS		V10687AF_DC/01A	
<h1>PANDUIT</h1> CORP. TINLEY PARK, ILLINOIS			
6" 6.5FT PATCHRUNNER DOOR (PRD679) CUSTOMER DRAWING			
UNLESS OTHERWISE SPECIFIED, DIMENSIONAL TOLERANCES ARE: (.X) ±                    (.XXX) ± (.XX) ±                    ANGLES ±		UNLESS OTHERWISE SPECIFIED, ALL DIMENSIONS ARE GIVEN IN INCHES, THIRD ANGLE PROJECTION.	
DRAWN BY BAME	MAT'L:	SCALE NONE	
DATE 1-19-10	ALUMINUM	DRAWING NO.	DWG A
CHK'D NAGL		V10687AF-DC	SIZE

REV	DATE	BY	CHK	DESCRIPTION	ECN	R	CUST	SUP	OTH
O1A	1-19-10	BAME	NAGL	RELEASED TO PRODUCTION	V10687AF-DC				