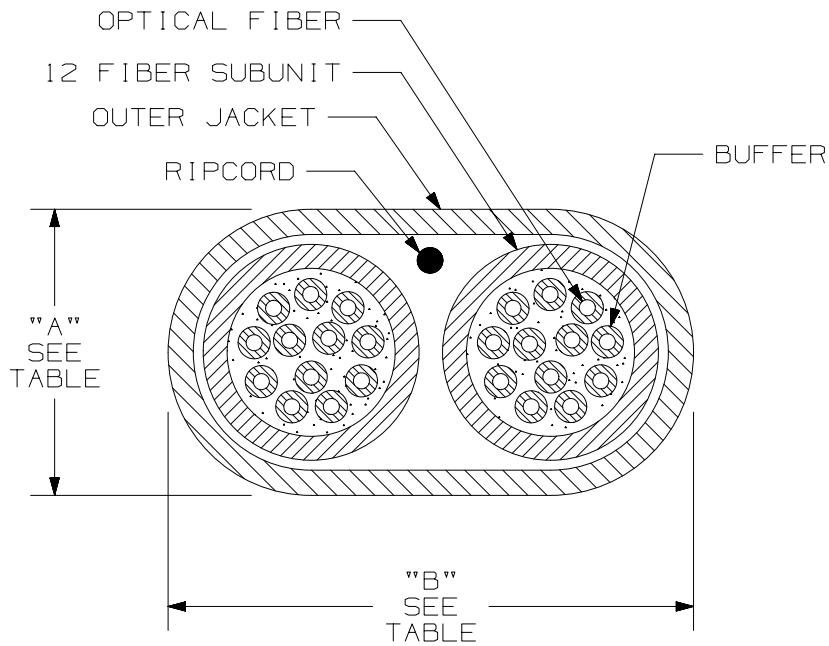


THIS COPY IS PROVIDED ON A RESTRICTED BASIS AND IS NOT TO BE USED IN ANY WAY DETRIMENTAL TO THE INTERESTS OF PANDUIT CORP.



TYPE/DESCRIPTION	COLOR	MAXIMUM LOSS
MULTIMODE 62.5/125um 24 FIBER SIDE BY SIDE DISTRIBUTION CABLE W/900um TIGHT BUFFER	ORANGE	3.5 dB/KM @ 850nm 1.5 dB/KM @ 1300nm

PLENUM - FSKP624			
TENSILE LOAD		BEND RADIUS	
INSTALLATION	LONG TERM	INSTALLATION	LONG TERM
660 N (150 lbf)	165 N (37.5 lbf)	144 mm (5.7 in)	72 mm (2.8 in)
CABLE DIMENSIONS		TEMPERATURE	
"A" = 7.2mm [.28"] "B" = 13.4mm [.53"]		INSTALLATION/OPERATION 0° C TO +50° C 32° F TO +122° F	STORAGE -40° C TO +65° C -40° F TO +149° F

RISER RATED - FSKR624			
TENSILE LOAD		BEND RADIUS	
INSTALLATION	LONG TERM	INSTALLATION	LONG TERM
1320 N (300 lbf)	330 N (74 lbf)	144 mm (5.7 in)	72 mm (2.8 in)
CABLE DIMENSIONS		TEMPERATURE	
"A" = 7.2mm [.28"] "B" = 13.4mm [.53"]		INSTALLATION/OPERATION -20° C TO +50° C -4° F TO +122° F	STORAGE -40° C TO +65° C -40° F TO +149° F

NOTES:

1. CABLE DIMENSIONS SHOWN FOR REFERENCE ONLY.
2. CABLE SUPPLIED IN 2500 METER (8202 FT) LENGTHS.
3. FOR PART NUMBERS AND LENGTHS OTHER THAN THOSE SHOWN, CONTACT YOUR PANDUIT SALES PERSON.
4. ALL MATERIALS AND COMPONENTS USED MUST MEET THE MATERIAL RESTRICTIONS OF RoHS, (EUROPEAN DIRECTIVE 2011/65/EU ON THE RESTRICTIONS OF HAZARDOUS SUBSTANCES) AS PROPOSED BY THE RoHS TECHNICAL ADAPTATION COMMITTEE.

WEIGHT OF 2.5km REEL/BOX	
OFNP	OFNR
348.2 kg (767.6 lbs)	320.7 kg (707.0 lbs)

PART NUMBER		FSKP624, FSKR624	
TITLE			
MULTIMODE 62.5/125um OPTI-CORE 24 FIBER SIDE BY SIDE DISTRIBUTION CABLE W/900um TIGHT BUFFER			
CUSTOMER DRAWING			
ITEM REVISION NAME		M02055BF/02	
DATASET FILE NAME		M02055BF_DC_24-625/02A	
UNLESS OTHERWISE SPECIFIED, DIMENSIONAL TOLERANCES ARE: IN (mm)			
.X ± .XX ±			
.XXX ± ANGLES ±		MATERIAL:	
		DRAWING NUMBER:	
THIRD ANGLE PROJECTION		02055-38	
DRAWN BY	DATE	CHK	SCALE
MC	08-28-04	WMA	NONE
SHT 1 OF 1			SIZE
			A

REV	DATE	BY	CHK	APR	DESCRIPTION	ECN
1	9/29/15	JSP	WJM	JGSW	A. UPDATED DRAWING TITLE BLOCK.	02055-38

D10100DA/14