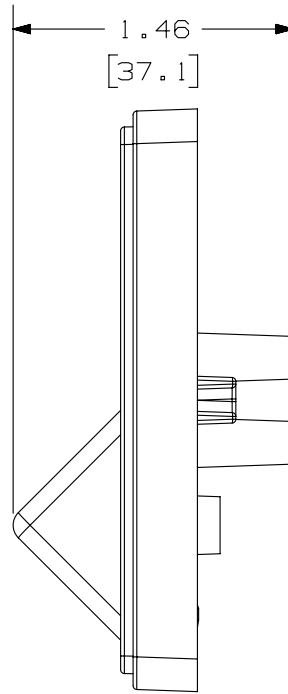
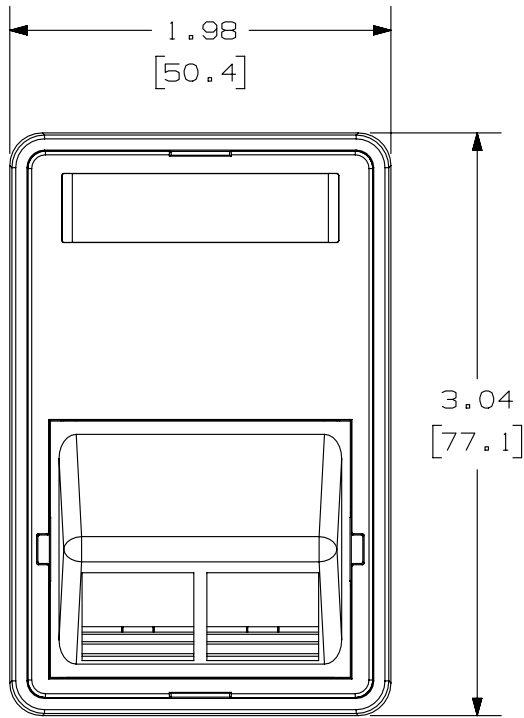


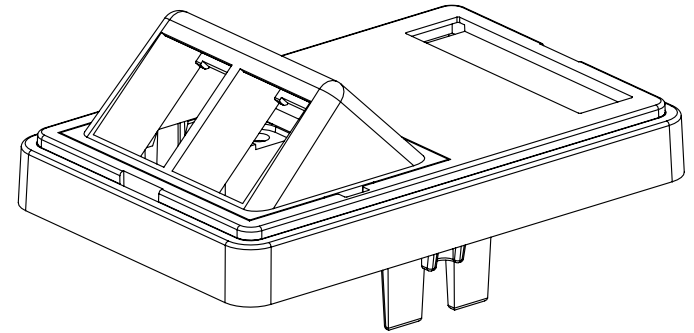
THIS COPY IS PROVIDED ON A RESTRICTED BASIS AND IS NOT TO BE USED IN ANY WAY DETRIMENTAL TO THE INTERESTS OF PANDUIT CORP.



| PANDUIT P/N | WEIGHT                            |
|-------------|-----------------------------------|
| NKDS2**     | .61 LB/10 PCS<br>(277.0 g/10 PCS) |

NOTES:

- SEE CURRENT CATALOG FOR ADDITIONAL PART NUMBER SUFFIXES TO INDICATE COLOR AND OR PACKAGE QUANTITY.
- SEE CATALOG FOR COMPLETE LIST OF PARTS APPLICABLE FOR USE WITH THIS PART.
- DIMENSIONS IN PARENTHESES ARE IN METRIC.
- PART INCLUDES:
  - 1- ADAPTER
  - 1- 2 POSITION NETKEY SLOPED 1/2 INSERT
  - 1- BEZEL
  - 2- SCREW
  - 2- CLAMP
  - 1- LABEL
  - 1- LABEL COVER



|   |         |                      |       |
|---|---------|----------------------|-------|
| PART NUMBER   |         | NKDS2**              |       |
| TITLE   |         |                      |       |
| NETKEY 2 POSITION DENMARK SLOPED FACEPLATE KIT                  |         |                      |       |
| CUSTOMER DRAWING  |         |                      |       |
| ITEM REVISION NAME  |         | M00741FH/00          |       |
| DATASET FILE NAME   |         | M00741FH_DC89/00B    |       |
| UNLESS OTHERWISE SPECIFIED, DIMENSIONAL TOLERANCES ARE: IN (mm) |         | MATERIAL:            |       |
| .x ± .xxx ± .010 [.3]   |         | ADAPTER/INSERT - ABS |       |
| .xx ± .03 [.8] ANGLES ±   |         | CLAMP - CRS          |       |
| THIRD ANGLE PROJECTION  |         | SCREW - STEEL        |       |
| DRAWING NUMBER:   |         | 00741-89             |       |
| DRAWN BY  | DATE    | CHK                  | SCALE |
| JSP   | 1-12-06 | EB                   | NONE  |
| SHT 1 OF 1  |         |                      | SIZE  |
|   |         |                      | A     |

| REV | DATE    | BY   | CHK  | APR | DESCRIPTION             | ECN      |
|-----|---------|------|------|-----|-------------------------|----------|
| 1   | 5-16-14 | MDJR | REFR | JCK | A. UPDATED TITLE BLOCK. | 00741-89 |
| R   | 1-12-06 | JSP  | EB   | EB  | RELEASED TO PRODUCTION  | 00741-89 |

D10100DA/14