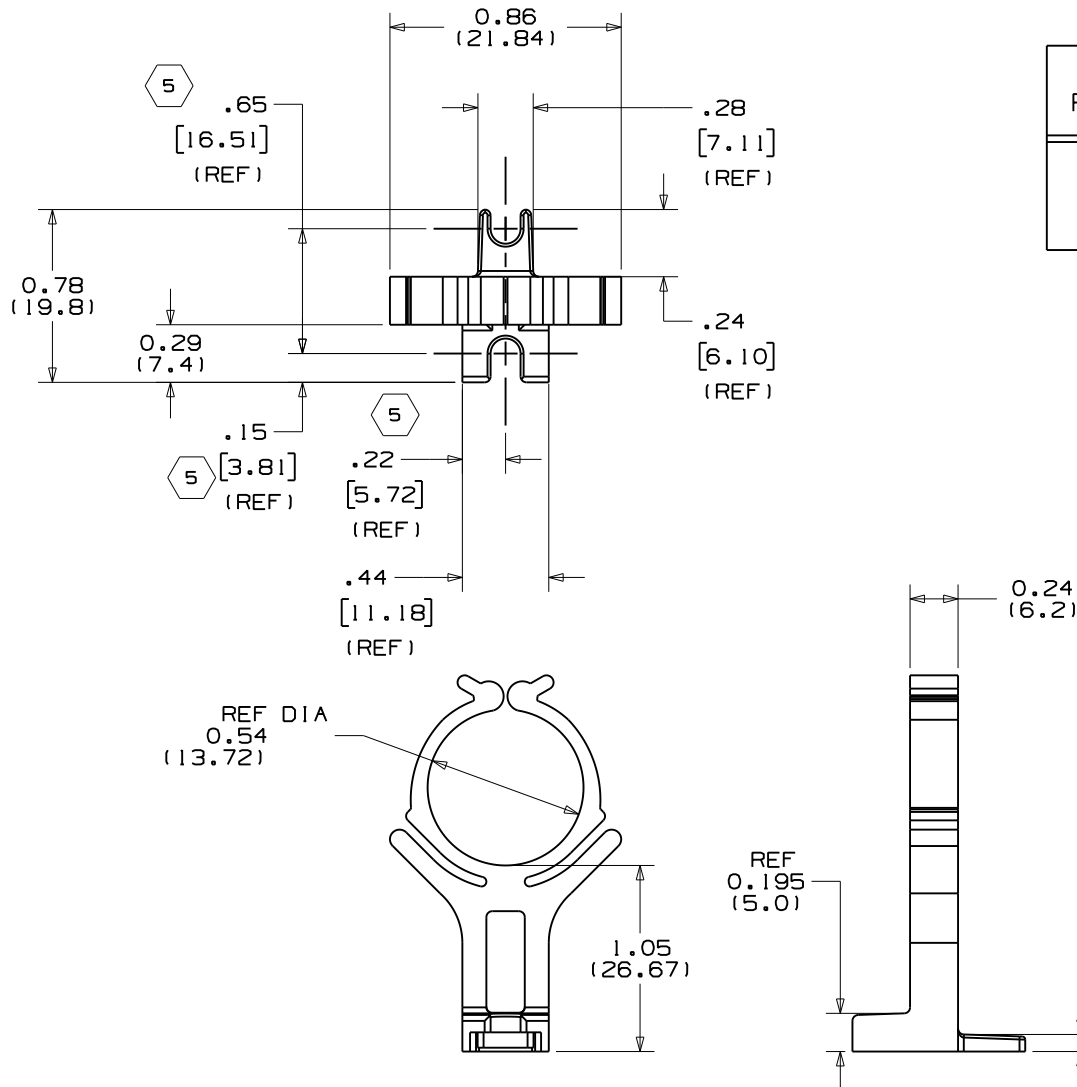


THIS COPY IS PROVIDED ON A RESTRICTED BASIS AND IS NOT TO BE USED IN ANY WAY DETRIMENTAL TO THE INTERESTS OF PANDUIT CORP.



PANDUIT PART NO.	MAX BUNDLE DIA $\frac{in.}{(mm)}$	RECOMM. FASTENER	WEIGHT $\frac{lb.}{(g)}/100 pcs$
BR.5-E6	0.50 (12.7)	#6 (M3) SCREW	0.75 (342)

NOTES:

- SEE <http://www.panduit.com> FOR PART NUMBER SUFFIX DESIGNATION FOR PACKAGE SIZE.
- COLOR: BLACK

DIMENSIONS IN BRACKETS ARE METRIC [mm]	
CAD FILENAME/LAYERS 10B015DJ/00_DC_GB0239HE_REV05	
PANDUIT CORP. TINLEY PARK, ILLINOIS	
BR.5-E6 BUNDLE RETAINER	
UNLESS OTHERWISE SPECIFIED, DIMENSIONAL TOLERANCES ARE: (.X) ±0.05 (1.3) (.XXX) ±0.010 (0.25) (.XX) ±0.02 (0.5) ANGLES ± 5°	
UNLESS OTHERWISE SPECIFIED, ALL DIMENSIONS ARE GIVEN IN INCHES, THIRD ANGLE PROJECTION.	
DRAWN BY CGSM	MAT'L: RUBBER MODIFIED NYLON 6/6
DATE 2-8-01	SCALE NONE
CHK'D	DRAWING NO. GB0239HE
	DWG SIZE A

REV	DATE	BY	CHK	DESCRIPTION	ECN	R	CUST	SUP
5	10/03/11	BWG		ADDED MOUNTING SCREW HOLE CENTERS REF. DIMENSIONS. REVISED NOTE 1 TO PANDUIT WEBSITE.	GB0239HE	5		