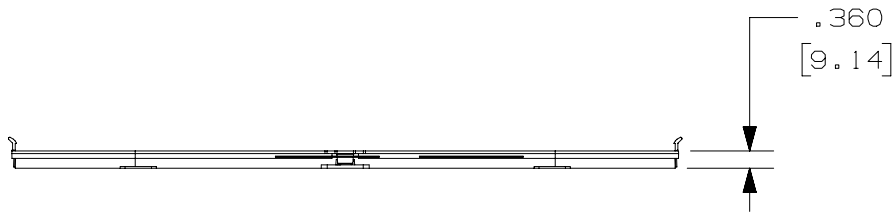
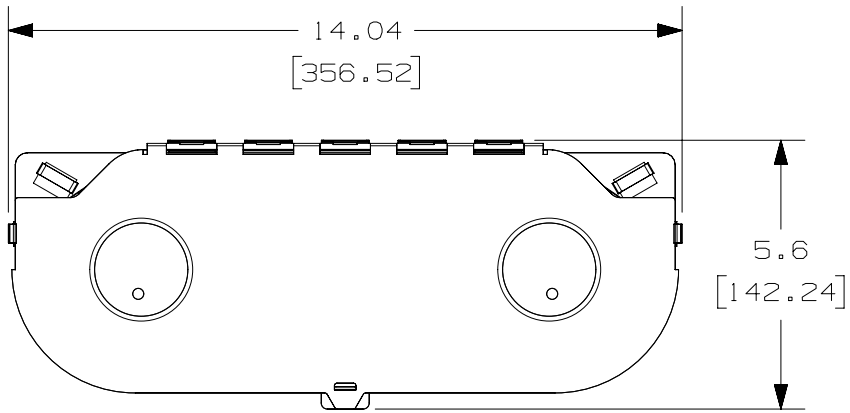
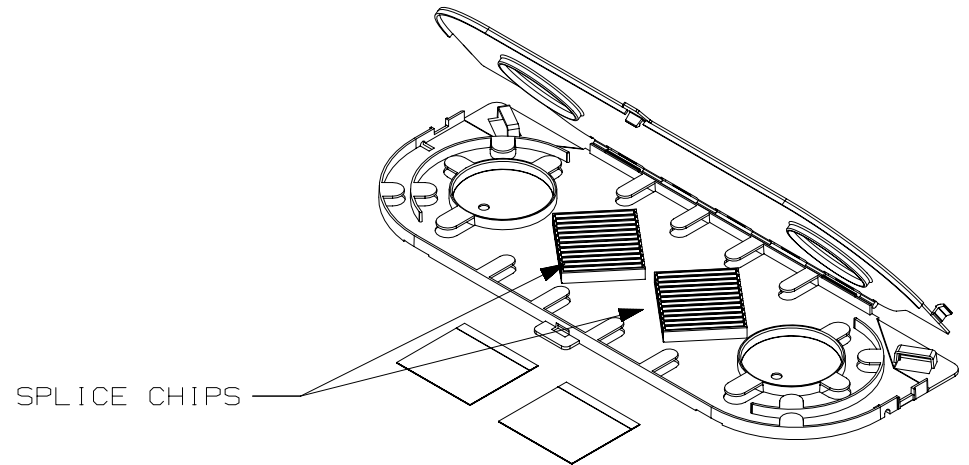


THIS COPY IS PROVIDED ON A RESTRICTED BASIS AND IS NOT TO BE USED IN ANY WAY DETRIMENTAL TO THE INTERESTS OF PANDUIT CORP.



PANDUIT PART NO.	WEIGHT
FOSMF	0.5 LBS/EACH 0.23 Kg/EACH

- SUPPLIED COMPONENTS:
 - 1- SPLICE BASE
 - 1- SPLICE COVER
 - 2- SPLICE CHIP
 - 2- ADHESIVE FOR SPLICE CHIP
- WORKS WITH SINGLE FUSION SPLICES AND 12F RIBBON SPLICES.



PART NUMBER		FOSMF	
TITLE			
FIBER OPTIC SPLICE MODULE (48 SINGLE FUSION OR 12 RIBBON)			
CUSTOMER DRAWING			
ITEM REVISION NAME		V10422AT/13	
DATASET FILE NAME		V10422AT_DC/13B	
		THIRD ANGLE PROJECTION	
MATERIAL		POLYCARBONATE	
DRAWING NUMBER		10422-41	
REV	DATE	BY	CHK
13B	6/10/22	JSP	JSP
APR		ANJA	
DESCRIPTION		ECN	
A. UPDATED DESIGN FOR RUBBER SPLICE CHIPS		10422-41	
MAV	11/6/07	MAV	NONE
SHEET 1 OF 1		A	

A-SIZE CUSTOMER

2

1

2

1