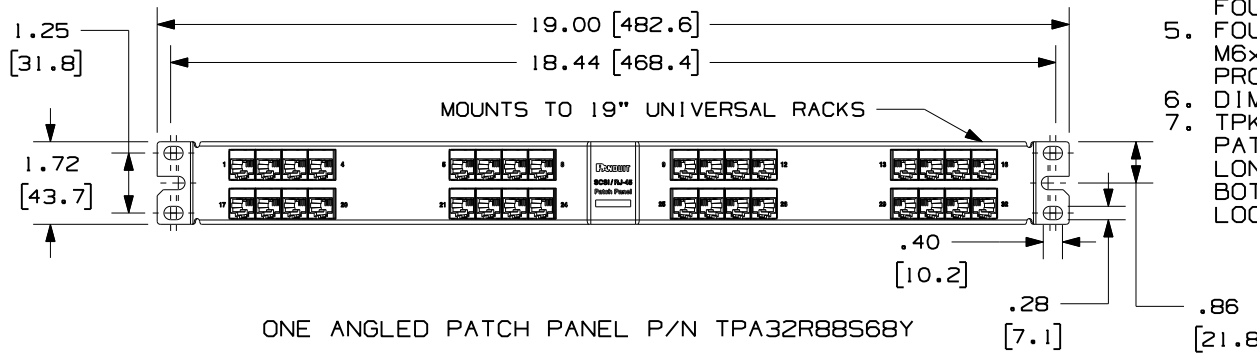
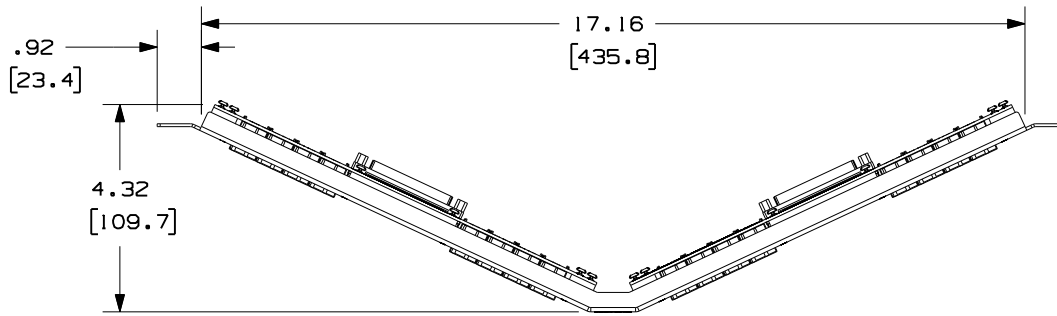
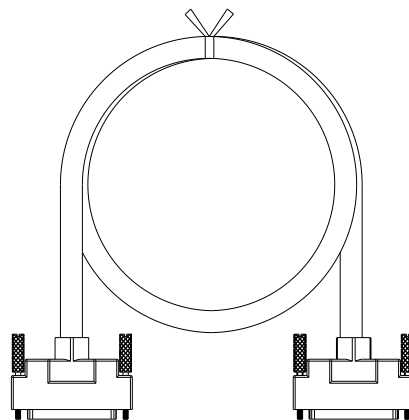


THIS COPY IS PROVIDED ON A RESTRICTED BASIS AND IS NOT TO BE USED IN ANY WAY DETRIMENTAL TO THE INTERESTS OF PANDUIT CORP.



ONE ANGLED PATCH PANEL P/N TPA32R88S68Y


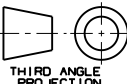


FOUR CABLE ASSEMBLIES P/N 02245-05Y

PANDUIT PART NUMBER	WEIGHT
TPK1A32R88S68Y	5.42 lb (2459.6 g)

NOTES:

- SEE CURRENT CATALOG FOR VARIOUS APPLICATIONS.
- MATERIAL:
PANEL HOUSING: STEEL
MODULAR JACKS: THERMOPLASTIC RESIN UL94V-0
- 32 PORT ANGLED PATCH PANEL 8 POSITION 8 WIRE.
- THE PATCH PANEL IS DESIGNED FOR MOUNTING TO 19" UNIVERSAL RACKS AND WILL ACCEPT THREE OR FOUR PAIR MODULAR PLUGS WITHOUT DAMAGE.
- FOUR (4) 12-24 X 1/2" AND FOUR (4) M6x1x15MM ROUND HEAD SCREWS ARE PROVIDED FOR FASTENING TO RACKS.
- DIMENSIONS IN PARENTHESES ARE IN METRIC.
- TPK1A32R88S68Y KIT IS COMPRISED OF ANGLED PATCH PANEL ASSEMBLY TPA32R88S68Y and 4 x 3 FT LONG CABLE ASSEMBLIES WITH HD68 CONNECTORS ON BOTH ENDS. HD68 CONNECTOR PROVIDED WITH #4-40 LOCK SCREWS.

MODEL FILENAME		SIZE
DRAWING FILENAME		A
M02245BM_DC18/00A		
SCSI ANGLED PATCH PANEL KIT CUSTOMER DRAWING		
 TINLEY PARK, IL 60487		I.I. NUMBER
		PRODUCT SPEC/ PKG SPEC
 THIRD ANGLE PROJECTION	ALL DIMENSIONS ARE GIVEN IN INCHES, UNLESS OTHERWISE SPECIFIED. DIMENSIONAL TOLERANCES ARE: (.X) ±.03 (.XXX) ±.005 (.XX) ±.01 ANGLES ± 1°	ASSY METHOD/ TEST METHOD
		SCALE .25:1
DRAWN BY BJN	REVIEW DRAWING NUMBERS	PART NO. TPK1A32R88S68Y
DATE 3-1-11	MAT'L	DRAWING NO. 02245-18
CHK'D MBVE		

REV	DATE	BY	CHK	DESCRIPTION	ECN	R	CUST	SUP	OTH
R	3-1-11	BJN	MBVE	RELEASED TO PRODUCTION	02245-18		RDE		