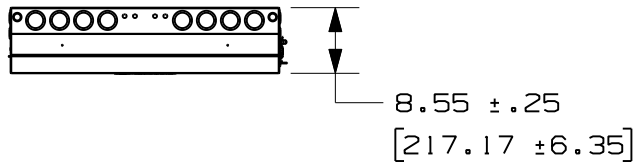
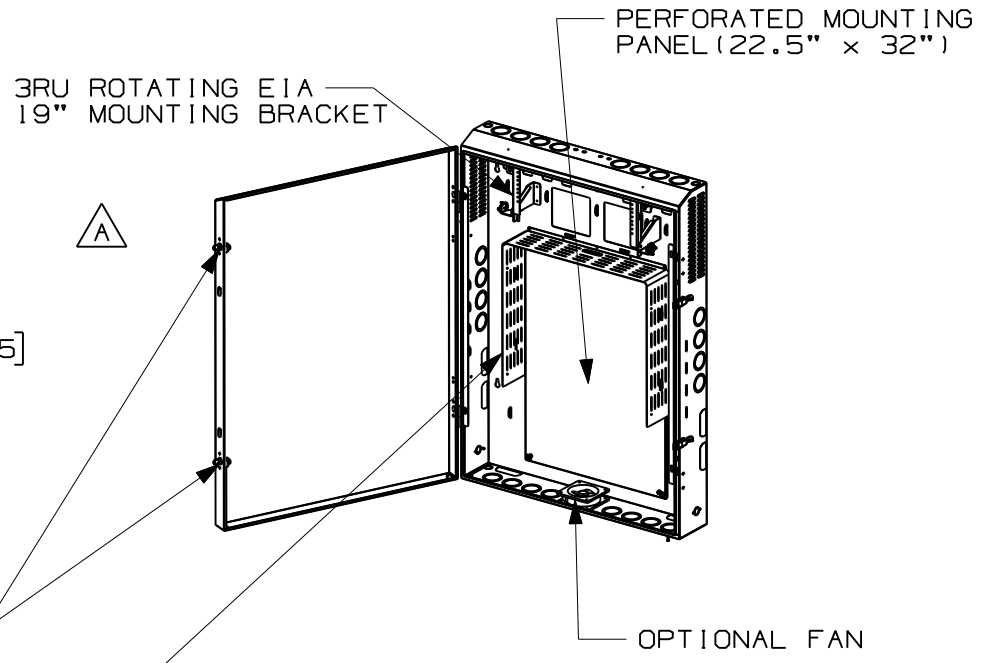
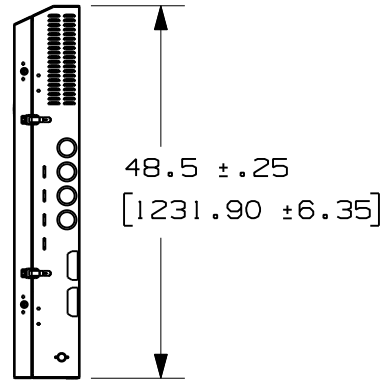
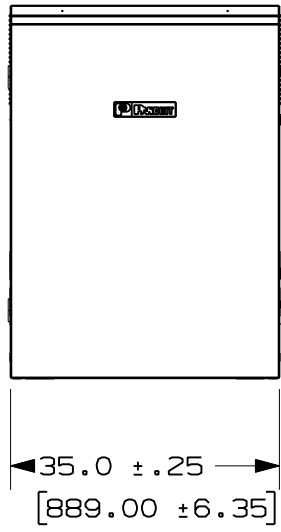


THIS COPY IS PROVIDED ON A RESTRICTED BASIS AND IS NOT TO BE USED IN ANY WAY DETRIMENTAL TO THE INTERESTS OF PANDUIT CORP.



PANDUIT PART NO.	WEIGHT
PZBASE3	112.0 LBS/EACH 50.8 Kg/EACH



HIGH VOLTAGE / LOW VOLTAGE DIVIDER WALL

MODEL FILENAME V10325AA_BASPZAEWM3_07.PRT
CAD FILENAME/LAYERS V10325AA_DC_07A.PRT

PANDUIT CORP. TINLEY PARK, ILLINOIS
WALL MOUNT B.A.S. ENCLOSURE (PZBASE3)
CUSTOMER DRAWING

UNLESS OTHERWISE SPECIFIED, DIMENSIONAL TOLERANCES ARE:
INCHES X.X +/- 0.03 X.XX +/- 0.015 X.XXX +/- 0.005 [METRIC - MILLIMETER] X.X +/- 0.8 X.XX +/- 0.4 X.XX +/- 0.10 ANGLE +/- 1°

UNLESS OTHERWISE SPECIFIED, ALL DIMENSIONS ARE GIVEN IN INCHES, THIRD ANGLE PROJECTION.

REV	DATE	BY	CHK	DESCRIPTION	ECN	R	CUST	SUP	OTH
01	4-16-07	MAV		RELEASED TO PRODUCTION A. REVISED COMPONENTS					
00	4-21-06	MAV	BAS	RELEASED					

DRAWN BY MAV	MAT'L: 10325-14 SEE NOTES	SCALE NONE
DATE 4-21-06		DRAWING NO. 10325-14
CHK'D BAS		DWG A SIZE