

FCE1

Contents:

1 ENCLOSURE
5 TAK-TY HOOK AND LOOP STRIPS
4 PAN-TY CABLE TIES
2 SLACK SPOOLS
1 #10-32 X 3/8" SCREW

2 FIBER GROMMETS
1 #10-32 ACORN NUT
4 #M6X1 SCREWS
1 STRAIN RELIEF BRACKET

2 BEND RADIUS CONTROL CLIPS
4 #12-24 X 1/2" SCREWS
1 CAUTION LABEL
1 LASER WARNING LABEL

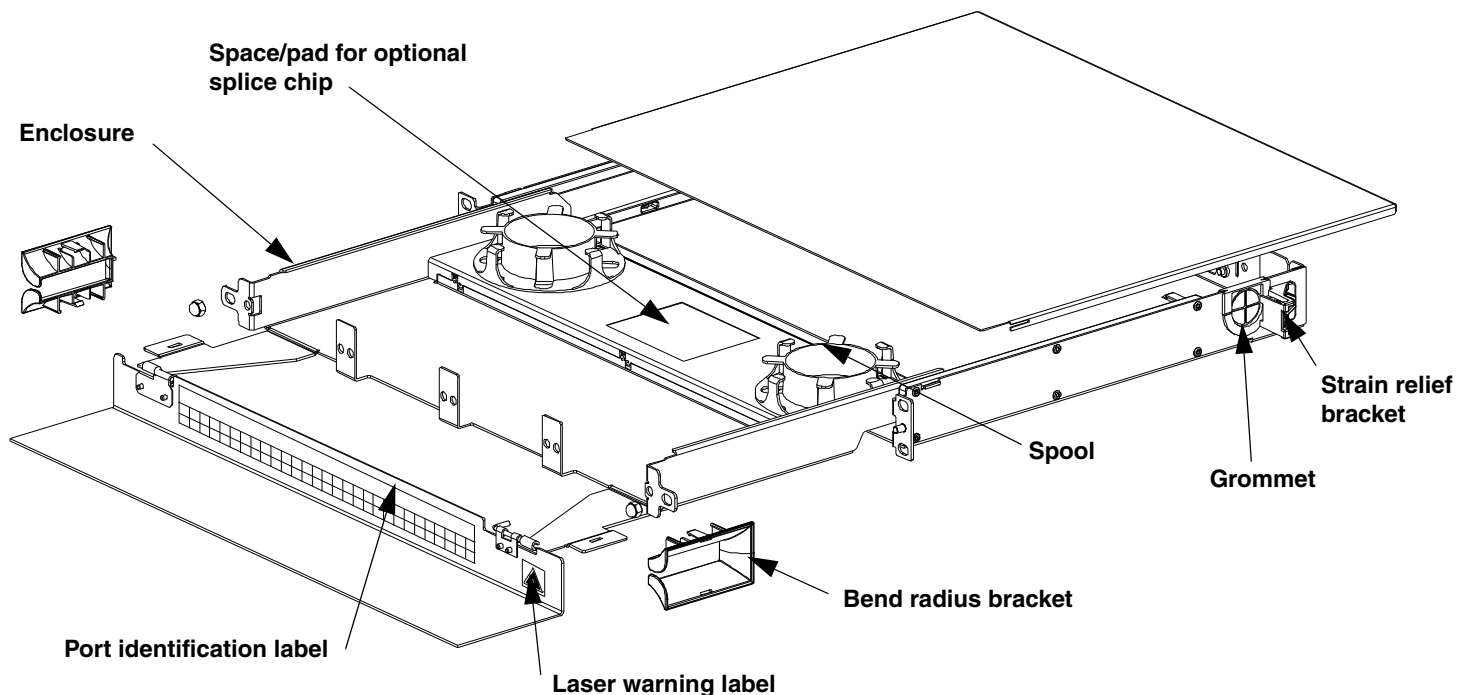
CAUTION:

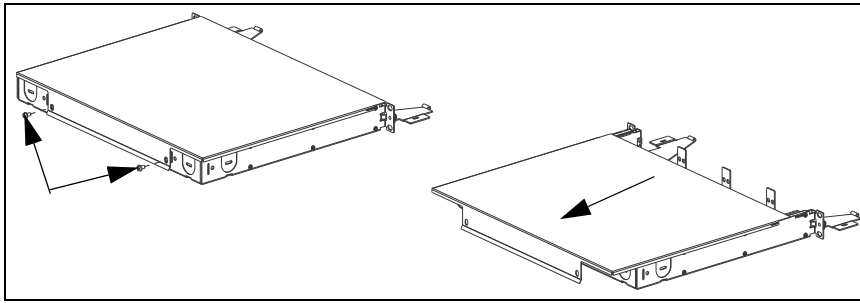
Fiber optic cable is sensitive to excessive pulling, bending and crushing forces. Consult the manufacturer's cable specification sheet for the specific cable in use.

Follow TIA/EIA 568-A, 569, 606, and 607 installation guidelines where applicable.

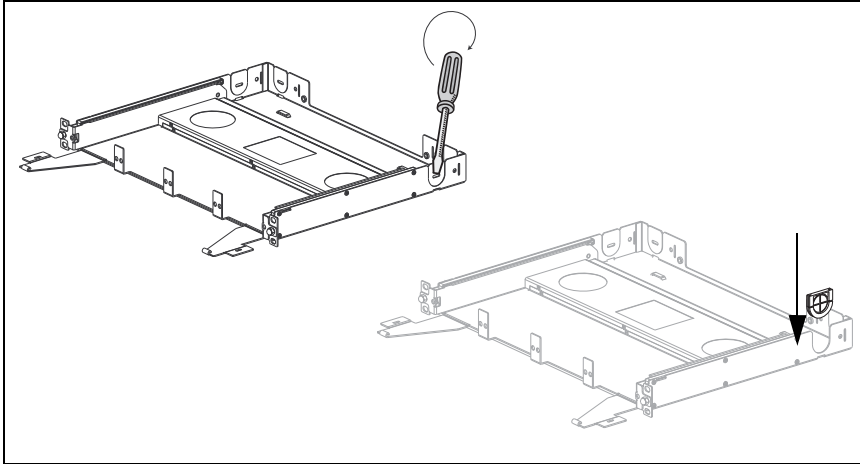
DANGER: UNMATED CONNECTORS MAY EMIT INVISIBLE LASER RADIATION. DO NOT LOOK DIRECTLY INTO THE END OF THE CONNECTOR, DO NOT INSPECT WITH MAGNIFYING DEVICES. MAINTAIN CAP ON UNMATED CONNECTORS.

ASSEMBLY

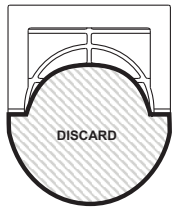




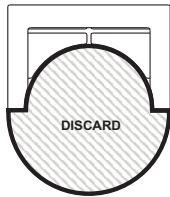
To remove the cover, unscrew the two #10-32 screws and slide the cover backward until it slides off of the rear of the enclosure.



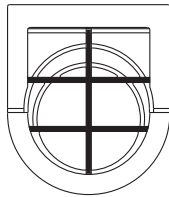
Determine which grommet(s) will be used to bring the cable into the enclosure. Remove the knock-out at entry location of the fiber tray. Install grommet following the proper cutting diagram.



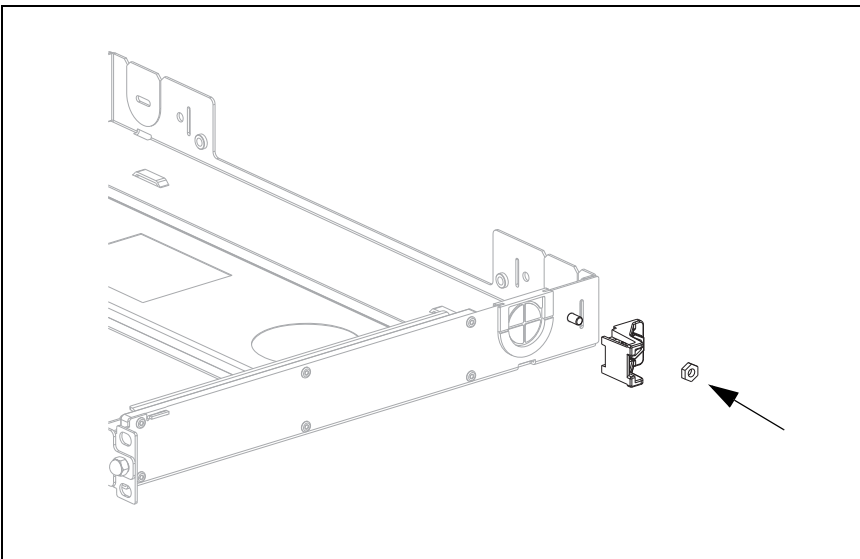
Cut the small circle for 1" diameter innerduct



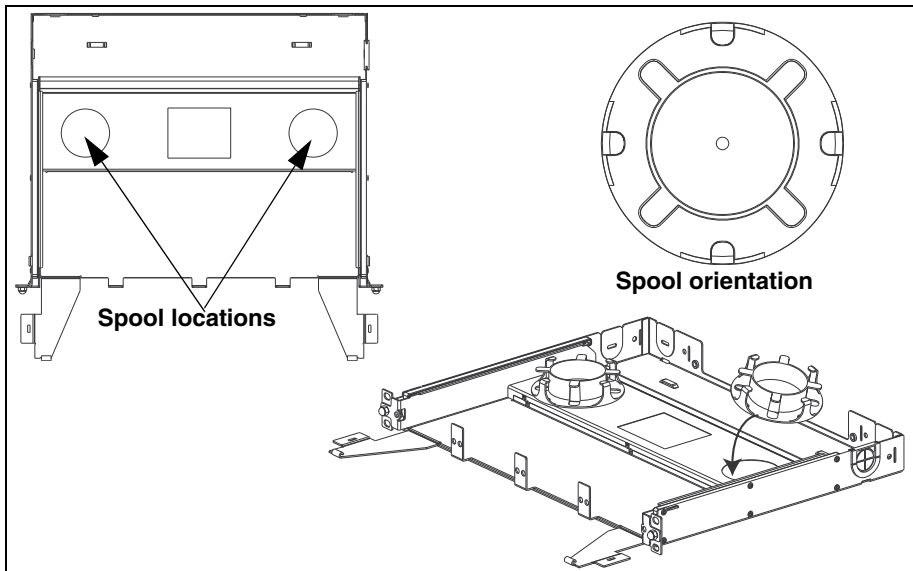
Cut the large circle for 1-1/2" diameter innerduct



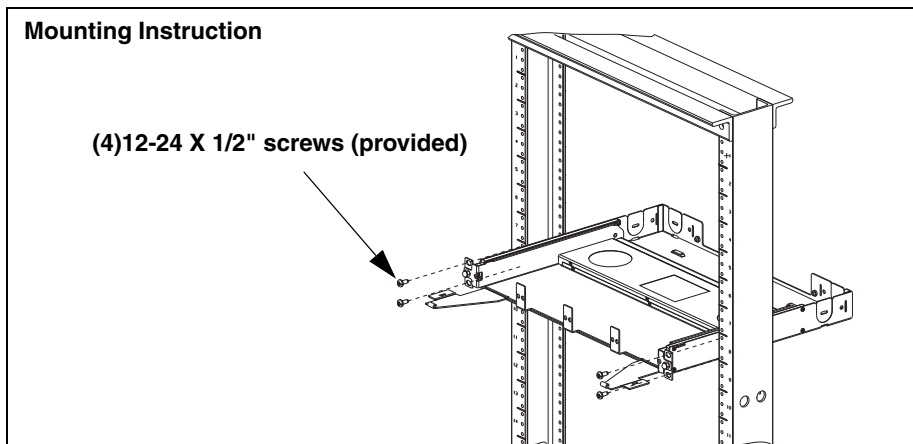
Cut the straight lines when not using any innerduct



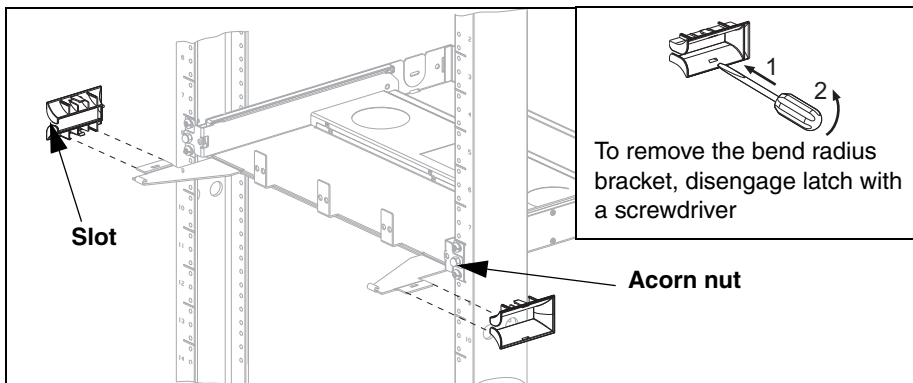
Place the strain relief bracket near area where the cable will enter the enclosure. Fasten with #10-32 screw and hex nut.



Ensure vertical fingers of spools are oriented in position and location shown to ensure maximum routing capacity of the spools. Remove the liner from the tape on each spool and place them inside the enclosure

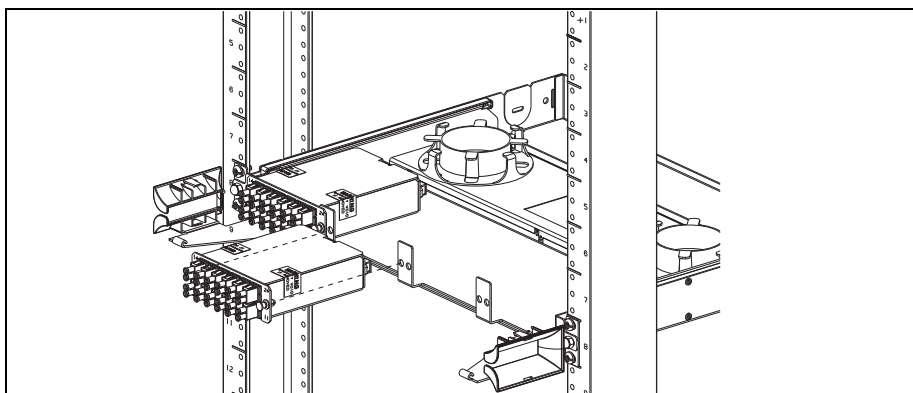


Mount the enclosure to the rack using (4) #12-24 screws.

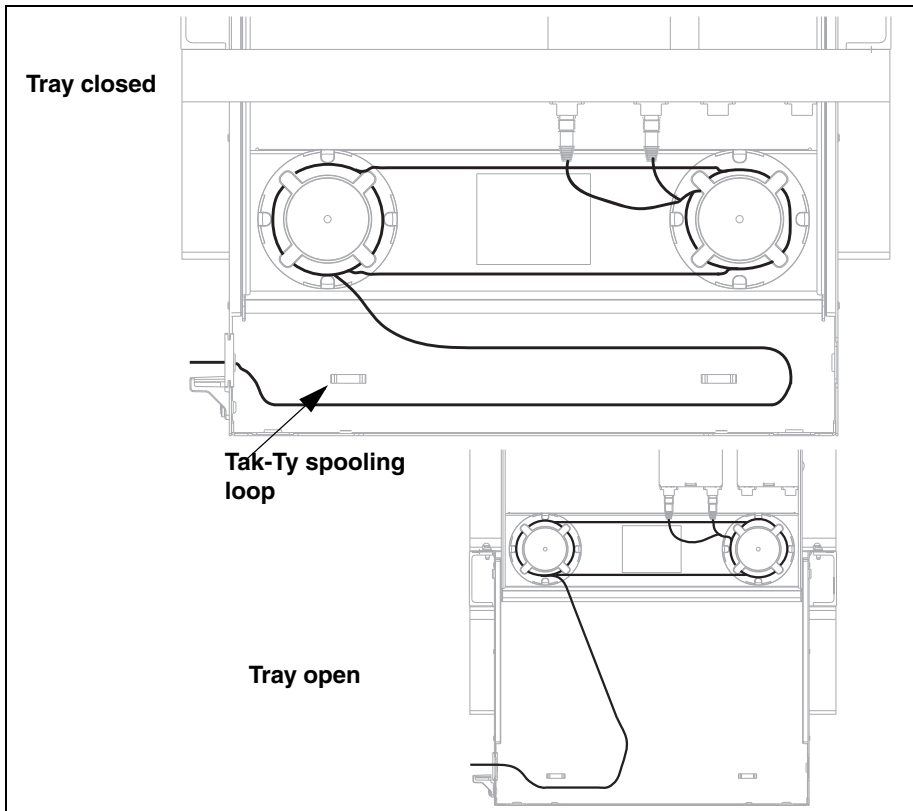


To install the bend radius brackets, slide the bracket onto tab with the slot facing forward then snap in place.

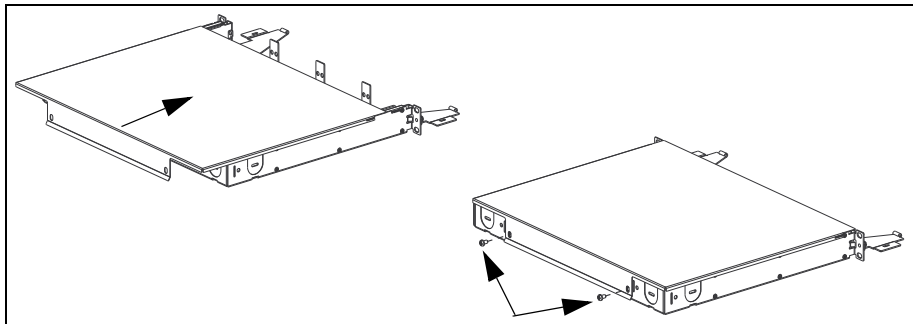
To lock drawer in closed position use acorn nut.



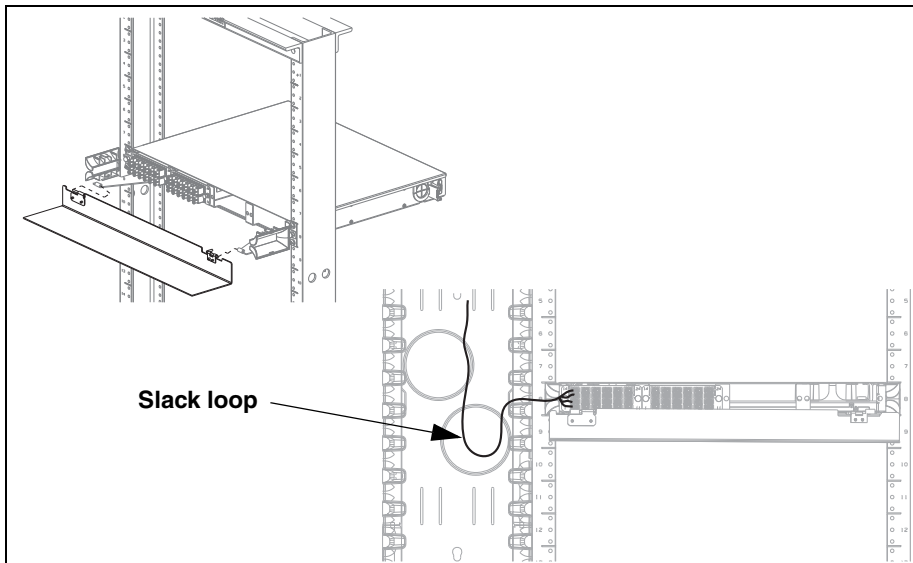
Insert the cassette into the enclosure as shown. Once mounted, push the latches in to secure the cassette.



Route fiber through grommet to fiber cassettes as shown. Use provided Tak-Ty to secure fiber cords at cable entry location. Leave slack loop as shown to ensure proper drawer movement without damaging fiber cords.



To install the cover, slide the cover forward and screw the two #10-32 screws in hole locations shown.



Install front cover with spring hinge as shown.

Attach Laser Warning Label and Caution Label where they are clearly visible.

Ensure that a one foot slack loop is left in the vertical channel to allow proper drawer movement