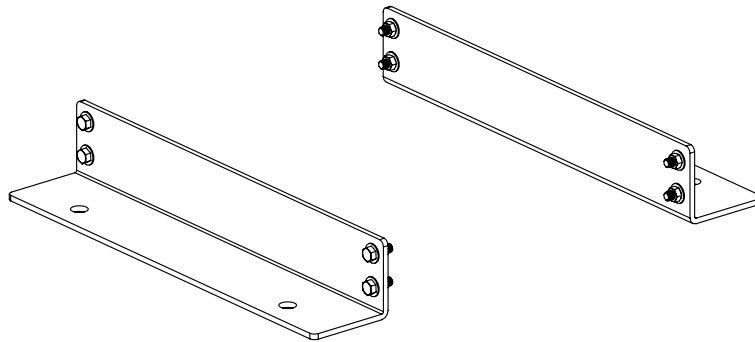
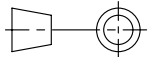


THIS COPY IS PROVIDED ON A RESTRICTED BASIS AND IS NOT TO BE USED IN ANY WAY DETRIMENTAL TO THE INTERESTS OF PANDUIT CORP.

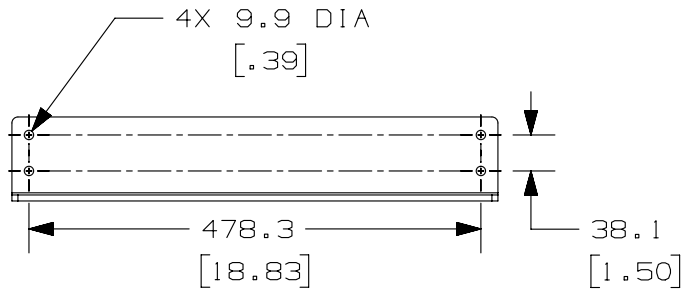
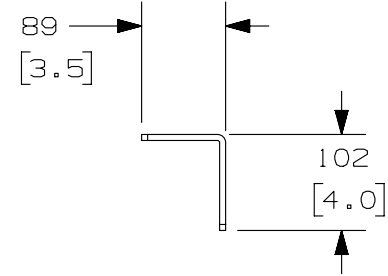
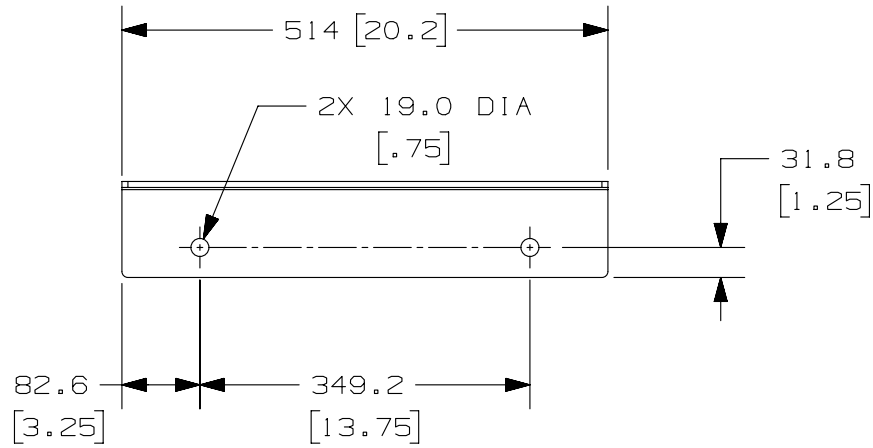
PANDUIT PART NO.	WEIGHT
ER4PAK - OSHPD	21.0 LBS/EACH 9.6 Kg/EACH



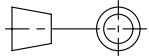
- VISIT OUR ON-LINE CATALOG AT WWW.PANDUIT.COM FOR A LIST OF CURRENT PARTS APPLICABLE FOR USE WITH THIS PRODUCT.
- PARTS SUPPLIED:
 - 2- BASE ANGLES
 - 8- 3/8-16 X 1 HEX HEAD BOLTS
 - 16- GROUNDING WASHERS
 - 8- 3/8 HEX NUTS
 - 1- INSTRUCTION SHEET
- FULLY BONDED STRUCTURE WHEN ASSEMBLED PER INSTRUCTIONS.

REV	DATE	BY	CHK	APR	DESCRIPTION	ECN	TITLE			MATERIAL:		
01A	10-27-14	TWV	LDR		RELEASED TO PRODUCTION	V09000BU	ER4PAK - OSHPD ANCHOR KIT			N/A		
							CUSTOMER DRAWING			PANDUIT		
							ITEM REVISION NAME 12V346AE/01.PRT					
							DATASET FILE NAME 12V346AE_DC/01A.PRT			DRAWING NUMBER: 12V346AE-DC		
							 THIRD ANGLE PROJECTION					
							DRAWN BY TWV	DATE 10-27-14	CHK LDR	SCALE NONE	SHT 1 OF 2	SIZE A

THIS COPY IS PROVIDED ON A RESTRICTED BASIS AND IS NOT TO BE USED IN ANY WAY DETRIMENTAL TO THE INTERESTS OF PANDUIT CORP.



REV	DATE	BY	CHK	APR	DESCRIPTION	ECN
01A	10-27-14	TWV	LDR		SEE SHEET 1 OF 2 FOR REVISIONS	V09000BU

TITLE ER4PAK - OSHPD ANCHOR KIT			
CUSTOMER DRAWING			
ITEM REVISION NAME 12V346AE/01.PRT		PANDUIT	
DATASET FILE NAME 12V346AE_DC/01A.PRT			
MATERIAL: N/A		DRAWING NUMBER: 12V346AE-DC	
 THIRD ANGLE PROJECTION			
DRAWN BY TWV	DATE 10-27-14	CHK LDR	SCALE NONE
SHT 2 OF 2		SIZE A	