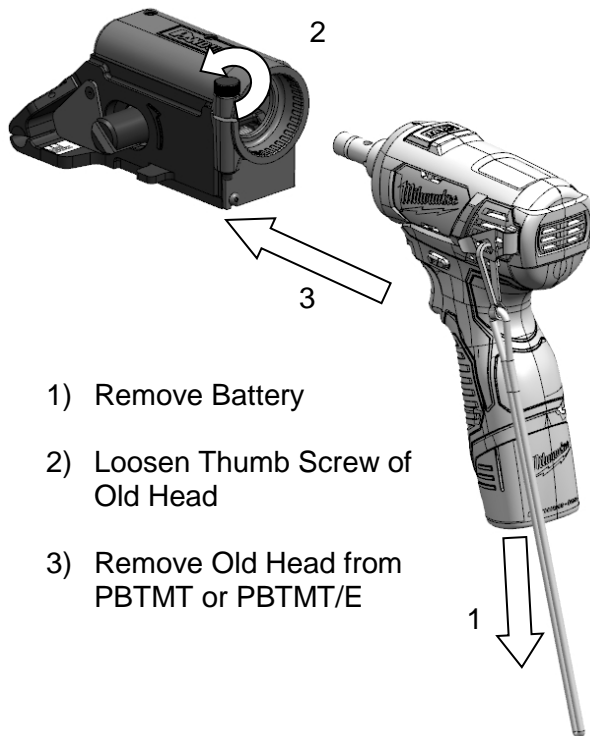
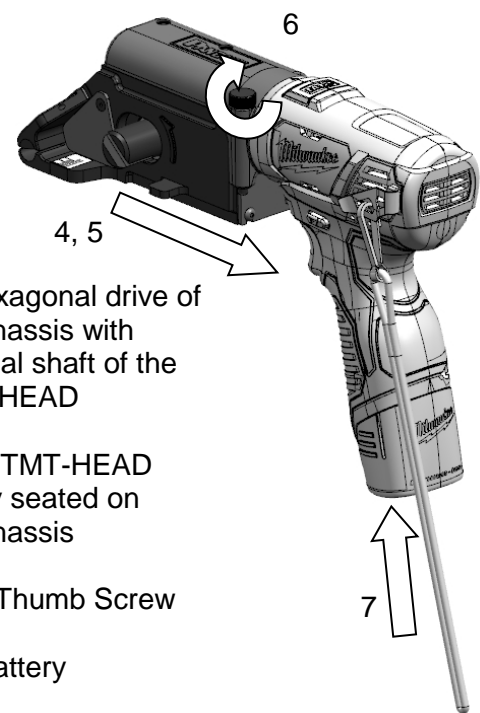


**PBTMT-HEAD is a replacement part for the PBTMT and PBTMT/E Tools. Use only with PBTMT or PBTMT/E power chassis drivers. For details of the tool operation, please see the Operation Manual (PA26091A01), located at [www.panduit.com](http://www.panduit.com) in resource tab of PBTMT or PBTMT/E part look-up page.**



- 1) Remove Battery
- 2) Loosen Thumb Screw of Old Head
- 3) Remove Old Head from PBTMT or PBTMT/E



- 4) Align hexagonal drive of power chassis with hexagonal shaft of the PBTMT-HEAD
- 5) Slide PBTMT-HEAD until fully seated on power chassis
- 6) Tighten Thumb Screw
- 7) Install Battery

Email:  
[techsupport@panduit.com](mailto:techsupport@panduit.com)

EU Website:  
[www.panduit.com/emea](http://www.panduit.com/emea)

EU Email:  
[emeatoolservicecenter@panduit.com](mailto:emeatoolservicecenter@panduit.com)

# PANDUIT

[www.panduit.com](http://www.panduit.com)

Technical Support:  
Tel: 1-800-777-3300

Panduit Europe • EMEA Headquarters  
Tel: +31 (0) 546 580 452 • Fax: +31 (0) 546 580 441