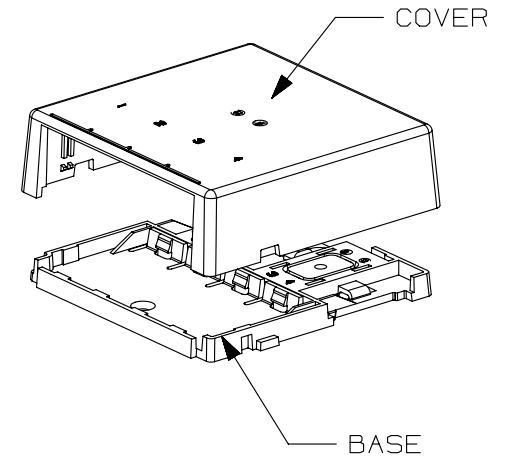
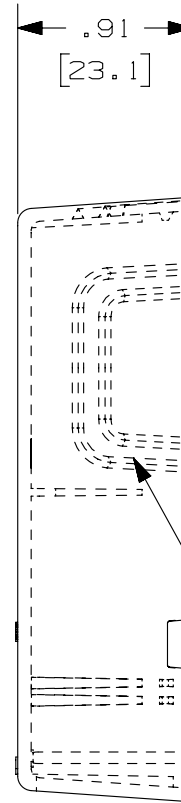
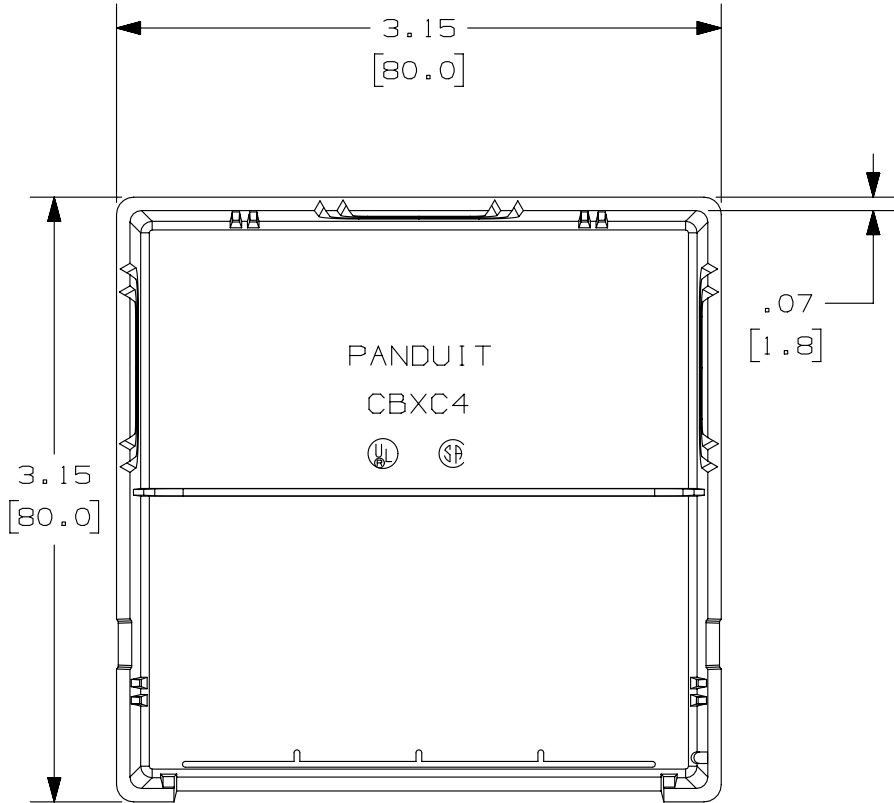


THIS COPY IS PROVIDED ON A RESTRICTED BASIS AND IS NOT TO BE USED IN ANY WAY DETRIMENTAL TO THE INTERESTS OF PANDUIT CORP.



BREAKOUT AREA  
(3 PLACES)  
SEE NOTE 5

PART NUMBER	CBXC4** - A	PRODUCT SPEC/PKG SPEC	N/A
I.I. NUMBER	N/A	WORK INSTRUCTION	N/A

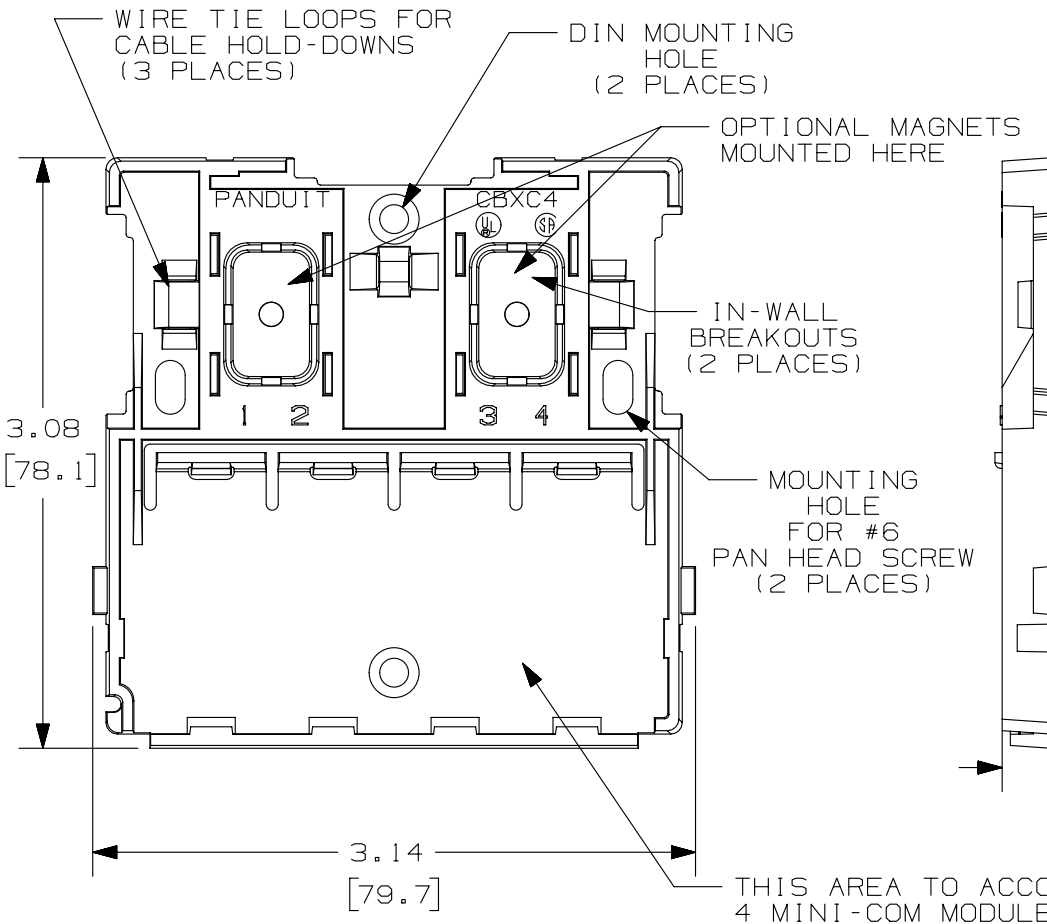
TITLE	MINICOM LOW PROFILE 4 PORT SURFACE MOUNT BOX		
	CUSTOMER DRAWING		
ITEM REVISION NAME	M00056BE/04.PRT		
DATASET FILE NAME	M00056BE_DC/04B.PRT		

UNLESS OTHERWISE SPECIFIED, DIMENSIONAL TOLERANCES ARE: IN [ mm ]	<b>PANDUIT</b> <sup>TM</sup>
.x ± .xxx ± .010 [ .3 ] .xx ± .03 [ .8 ] ANGLES ±	
MATERIAL:	ABS
DRAWING NUMBER:	00056-03

DRAWN BY	DATE	CHK	SCALE	SHT 2 OF 2	SIZE
JSP	9-9-98	PBD	NONE		A

REV	DATE	BY	CHK	APR	DESCRIPTION	ECN
3	7-01-13	MDJR	JSP	JSP	SEE SHEET 1 OF 2.	00056-03
2	11-14-12	BJN	JSP	JSP	SEE SHEET 1 OF 2	00056-03
1	11-17-98	JSP	PBD	CYM	SEE SHEET 1 OF 2	00056-03
R	9-9-98	JSP	PBD	RJD	SEE SHEET 1 OF 2	00056-03

THIS COPY IS PROVIDED ON A RESTRICTED BASIS AND IS NOT TO BE USED IN ANY WAY DETRIMENTAL TO THE INTERESTS OF PANDUIT CORP.



PANDUIT P/N	WEIGHT
CBXC4**-A	.79 LB/10 PCS (359.5 g/10 PCS) <span style="float: right;">△A</span>

- NOTES:
- SEE CURRENT CATALOG FOR ADDITIONAL PART NUMBER SUFFIXES TO INDICATE COLOR AND OR PACKAGE QUANTITY.
  - SEE CATALOG FOR A COMPLETE LIST OF PARTS APPLICABLE FOR USE WITH THIS PART.
  - OPTIONAL MAGNET (CBM-X) ADHERES TO BOX BASE IN TWO LOCATIONS FOR MOUNTING ON METAL SURFACES.
  - DIMENSIONS IN PARENTHESES ARE IN METRIC.
  - BREAKOUTS DESIGNED TO ACCEPT LD3 AND LD5 RACEWAYS.
  - LOW PROFILE BOX HOLDS UP TO 4 MINI-COM MODULES.
  - ALSO INCLUDED WITH BOX:
    - PLT1.51-C PAN-TY
    - STRIPS OF 1.25" X .75" 32W125X75STR FOAM TAPE FOR MOUNTING. (BASE CONTAINS TAPE LOCATION INDICATORS.)

NO WARRANTY, EXPRESSED OR IMPLIED, IS MADE BY PANDUIT WITH RESPECT TO ADHESIVE BOND PERFORMANCE. AMONG OTHER THINGS, THE CONDITIONS UNDER WHICH THESE MOUNTS MAY BE APPLIED AND/OR THE SURFACE TO WHICH THEY MAY BE APPLIED ARE BEYOND PANDUIT'S CONTROL.

PART NUMBER	CBXC4**-A	PRODUCT SPEC/PKG SPEC	N/A
I.I. NUMBER	N/A	WORK INSTRUCTION	N/A

TITLE		MINICOM LOW PROFILE 4 PORT SURFACE MOUNT BOX	
ITEM REVISION NAME		CUSTOMER DRAWING	
DATASET FILE NAME		M00056BE_04.PRT	
UNLESS OTHERWISE SPECIFIED, DIMENSIONAL TOLERANCES ARE: IN [mm]			
.x ± .xxx ± .010 [ .3 ] .xx ± .03 [ .8 ]      ANGLES ±			
DRAWING NUMBER:		00056-03	

REV	DATE	BY	CHK	APR	DESCRIPTION	ECN
3	7-01-13	MDJR	JSP	JSP	C. CHANGED TITLE TO MINICOM AND ADDED "4 PORT".	
2	11-14-12	BJN	JSP	JSP	B. UPDATED DRAWING FORMAT TO REFLECT CURRENT LOGO	00056-03
1	11-17-98	JSP	PBD	CYM	A. WEIGHT WAS .32#/10PCS.	00056-03
R	9-9-98	JSP	PBD	FJD	RELEASED TO PRODUCTION	00056-03

DRAWN BY	DATE	CHK	SCALE	SHT 1 OF 2	SIZE
JSP	9-9-98	PBD	NONE		A