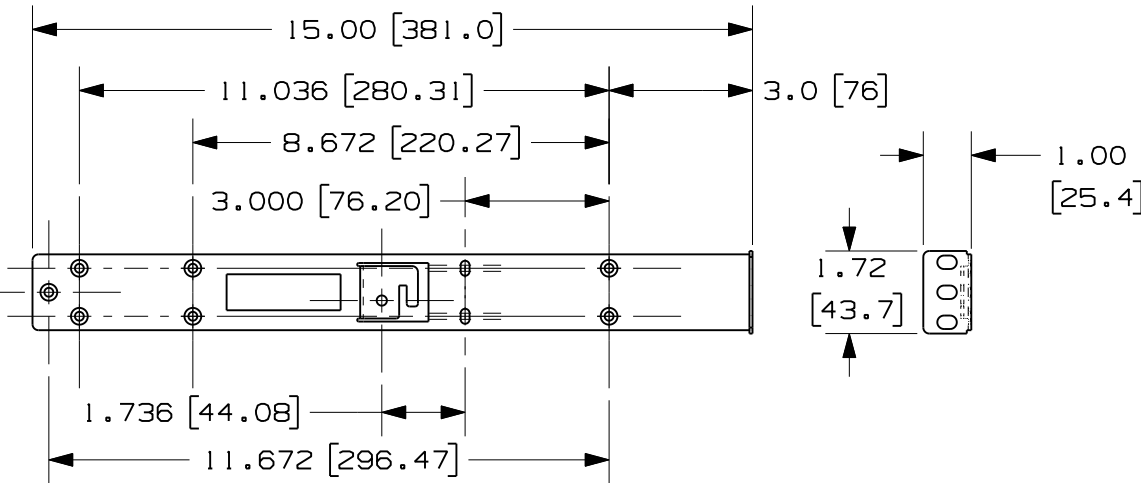
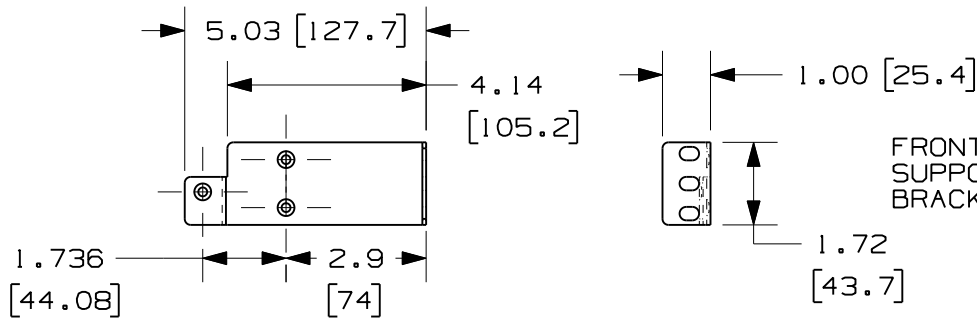


THIS COPY IS PROVIDED ON A RESTRICTED BASIS AND IS NOT TO BE USED IN ANY WAY DETRIMENTAL TO THE INTERESTS OF PANDUIT CORP.

PANDUIT P/N	WEIGHT
R2PN2KB	1.25 LBS/EACH .6 Kg/EACH

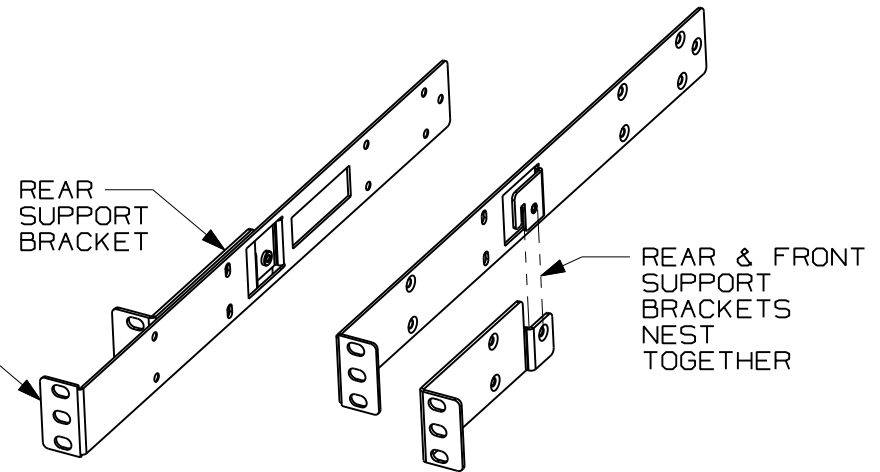


FRONT SUPPORT BRACKET  
(LEFT SHOWN)



REAR SUPPORT BRACKET  
(RIGHT AND LEFT)

- NOTES:
- VISIT OUR ON-LINE CATALOG AT [WWW.PANDUIT.COM](http://WWW.PANDUIT.COM) FOR A CURRENT LIST OF PRODUCTS APPLICABLE FOR USE WITH THIS PART.
  - COMPONENTS:  
1- CISCO N2K MOUNT BRACKET SET  
2- PACK OF (4) #12-24 SCREWS
  - DIMENSIONS IN PARENTHESIS ARE METRIC.



MODEL FILENAME	V10160HA/01
CAD FILENAME/LAYERS	V10160HA_DC/01A

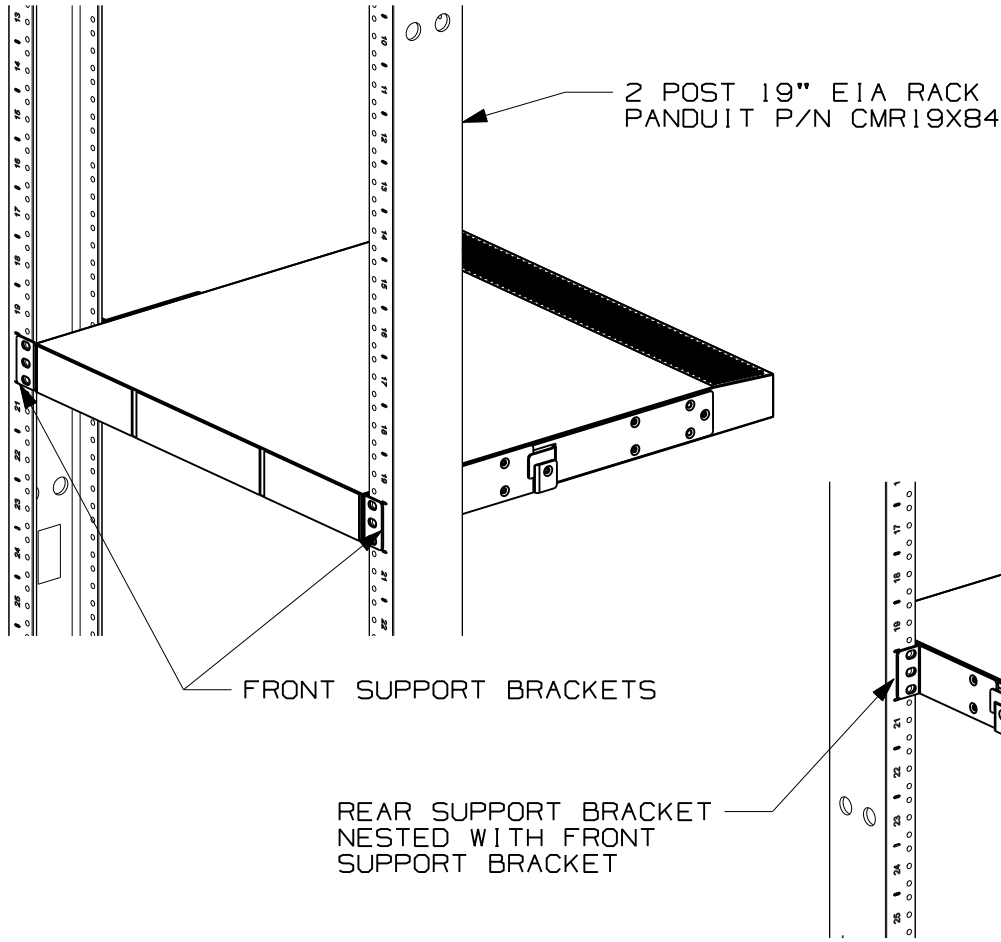
**PANDUIT** CORP. TINLEY PARK, ILLINOIS  
N2K MOUNT BRACKET ASSEMBLY  
(R2PN2KB)  
CUSTOMER DRAWING

UNLESS OTHERWISE SPECIFIED, DIMENSIONAL TOLERANCES ARE: INCHES X.X +/- 0.03 X.XX +/- 0.015 X.XXX +/- 0.005	[METRIC - MILLIMETER] X.X +/- 0.8 X.X +/- 0.4 X.XX +/- 0.13	ANGLE +/- 1°	UNLESS OTHERWISE SPECIFIED, ALL DIMENSIONS ARE GIVEN IN INCHES, THIRD ANGLE PROJECTION.
--	--	-----------------	---

REV	DATE	BY	CHK	DESCRIPTION	ECN	R	CUST	SUP	OTH
O1A	8-16-10	RYB		RELEASED FOR PRODUCTION	V10160HA				
O0A	6-28-10	RYB		RELEASED FOR REVIEW	V10160HA				

DRAWN BY RYB	MAT'L: STEEL	SCALE NONE
DATE 6-28-10		DRAWING NO. V10160HA SHT 1 OF 2
CHK'D		DWG A SIZE

THIS COPY IS PROVIDED ON A RESTRICTED BASIS AND IS NOT TO BE USED IN ANY WAY DETRIMENTAL TO THE INTERESTS OF PANDUIT CORP.



MODEL FILENAME V10160HA/01

CAD FILENAME/LAYERS V10160HA\_DC/01A

PANDUIT CORP. TINLEY PARK, ILLINOIS  
 N2K MOUNT BRACKET ASSEMBLY (R2PN2KB)  
 CUSTOMER DRAWING

UNLESS OTHERWISE SPECIFIED, DIMENSIONAL TOLERANCES ARE:  
 INCHES X.X +/- 0.03 X.XX +/- 0.015 X.XXX +/- 0.005 [METRIC - MILLIMETER] X. +/- 0.8 X.X +/- 0.4 X.XX +/- 0.13 ANGLE +/- 1°  
 UNLESS OTHERWISE SPECIFIED, ALL DIMENSIONS ARE GIVEN IN INCHES, THIRD ANGLE PROJECTION.

O1A	8-16-10	RYB		SEE SHEET 1 OF 2	V10160HA									
O0A	6-28-10	RYB		SEE SHEET 1 OF 2	V10160HA									
REV	DATE	BY	CHK	DESCRIPTION	ECN	R	CUST	SUP	OTH					

DRAWN BY RYB MAT'L: STEEL SCALE NONE  
 DATE 5-6-10 DRAWING NO. V10160HA SHT 2 OF 2 DWG SIZE A