



FOR USE WITH PANDUIT  
**FIBER-DUCT &  
 FIBERRUNNER**  
 ROUTING SYSTEMS

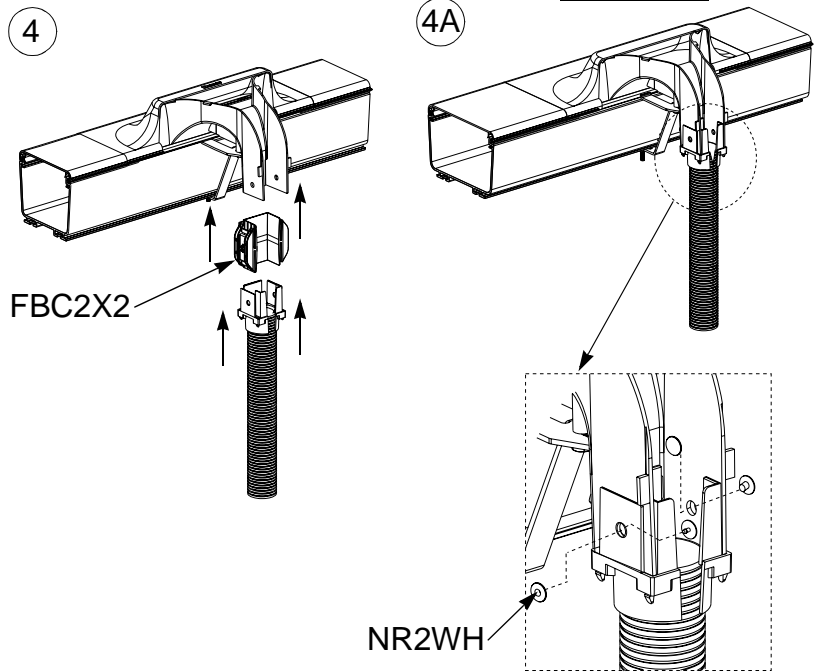
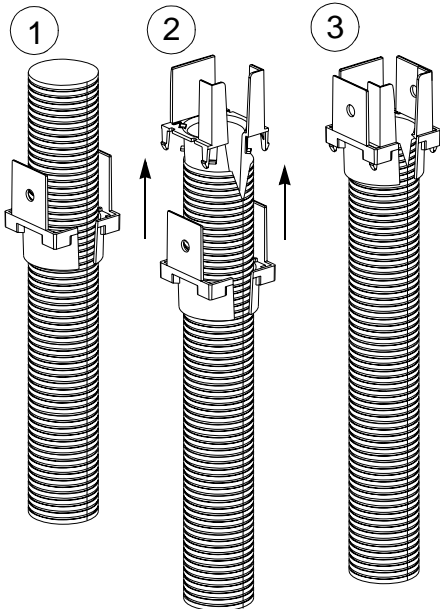
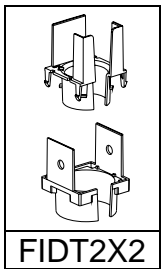
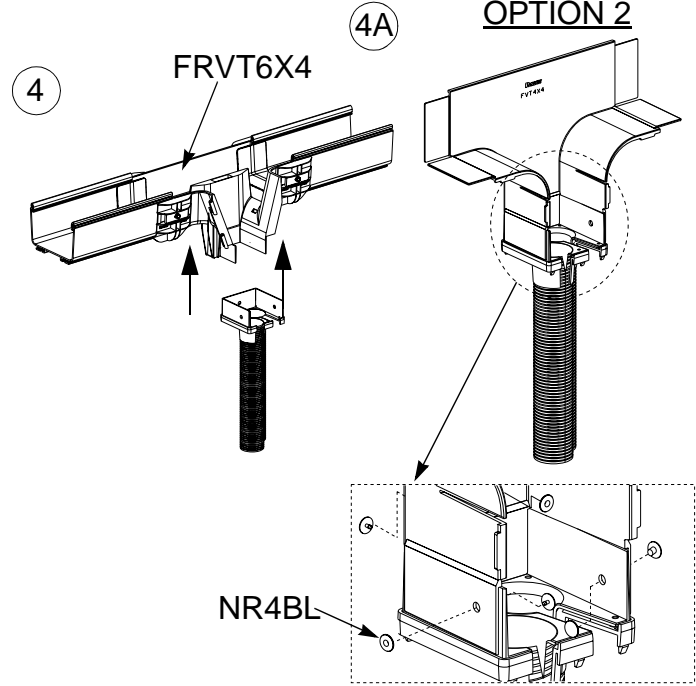
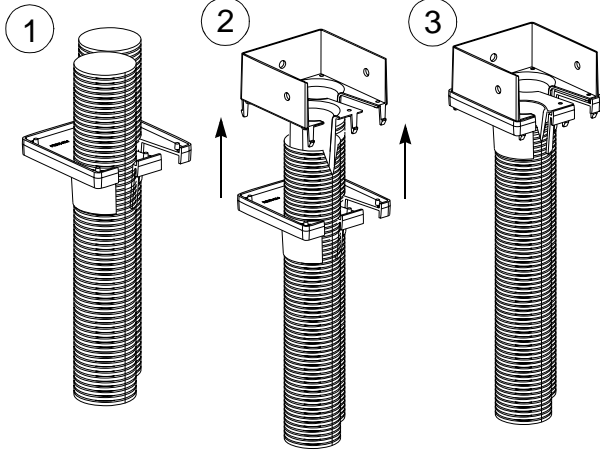
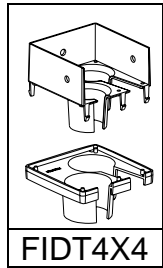
2-PORT SPILL-OUT TO CORRUGATED TUBING  
 AND 1 PORT SPILL-OUT TO CORRUGATED TUBING 2X2

Part Numbers: FIDT4X4, FIDT2X2

**INSTALLATION INSTRUCTIONS**

Panduit Corp. 2000

Printed in U.S.A.



Instruction Sheet RW111B

**WORLDWIDE SUBSIDIARIES AND SALES OFFICES**

17301 Ridgeland Avenue  
 Tinley Park, IL.60477-3091  
 Web Site: [www.panduit.com/ncg](http://www.panduit.com/ncg)



Fax: 866-449-1702  
 Technical Support: 866-405-6656  
 Email: [netconnsupport@panduit.com](mailto:netconnsupport@panduit.com)