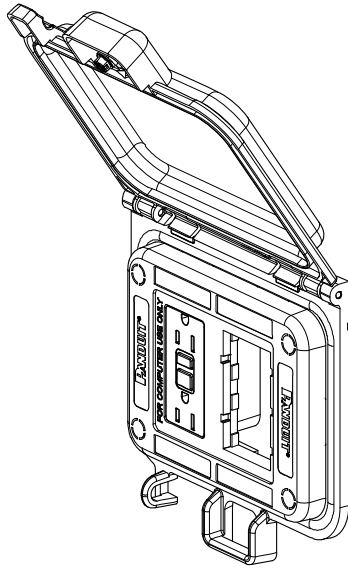
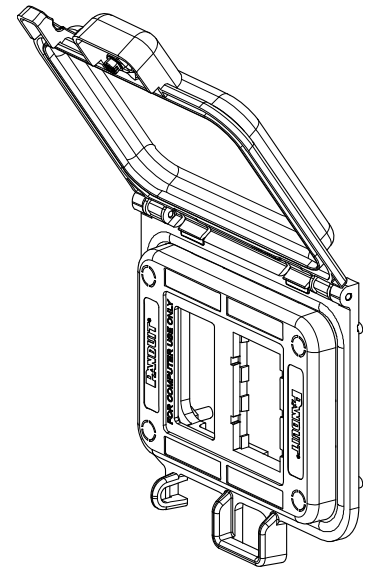


IAPNG5EWH

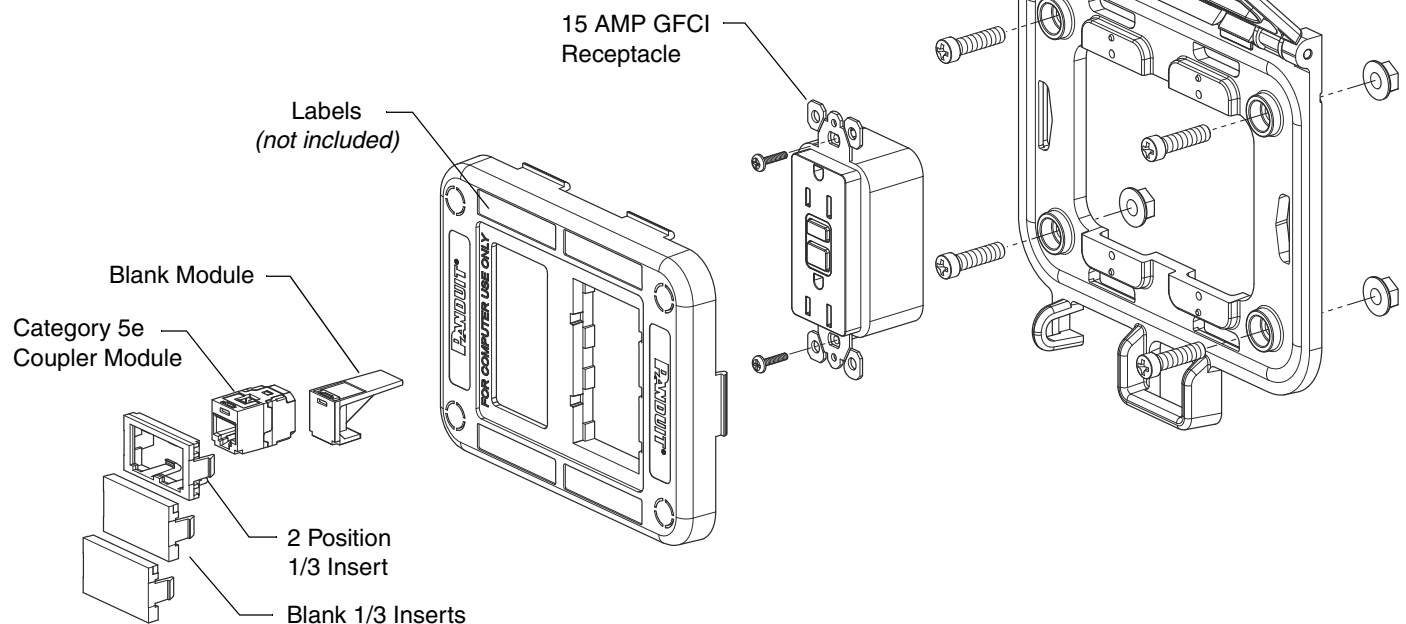


IAPNGWH

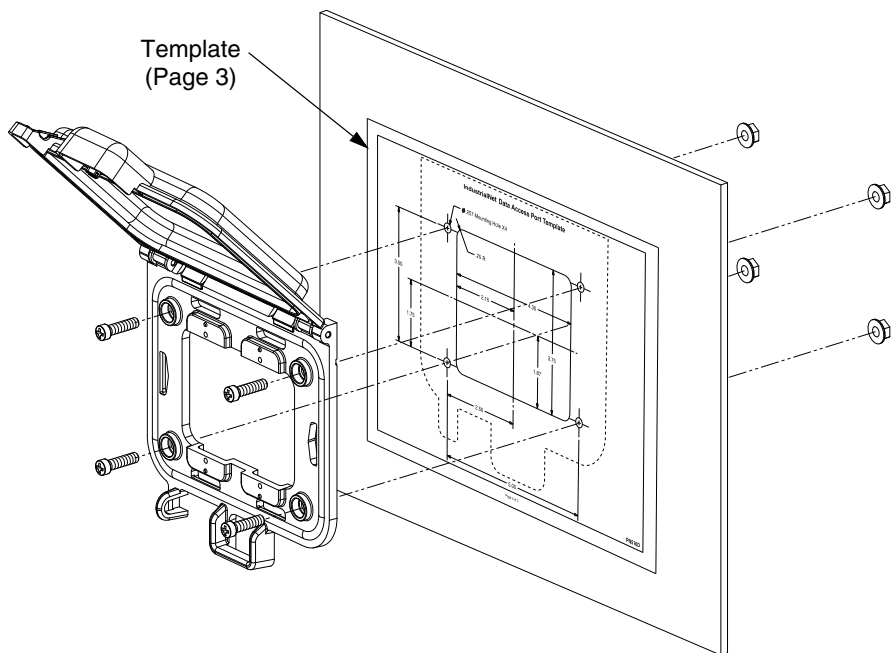


IAPNWH

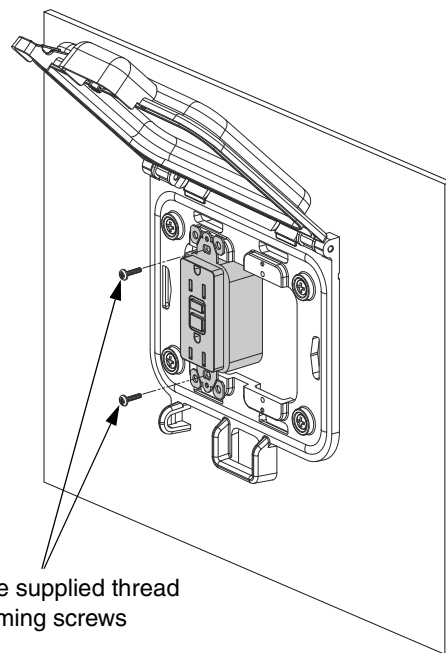
RECOMMENDED INSERTS	
2 POSITION 1/3 INSERT	IAPHF2MWH-X
BLANK 1/3 INSERT	IAPHB2MWH-X
BLANK MODULE	IAPCMBWH-X



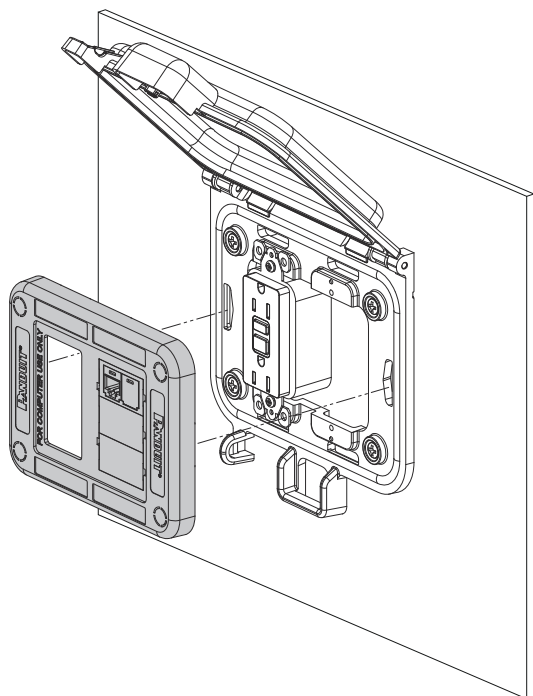
1.



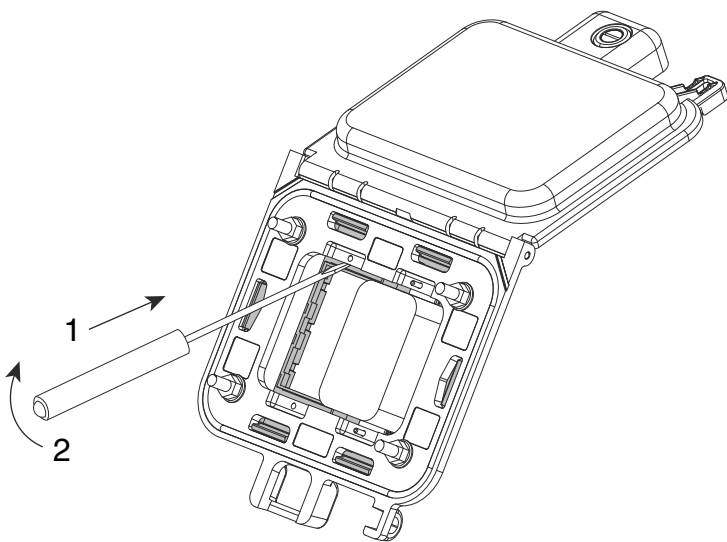
2.



3.



Faceplate Removal



Separation of wiring for power receptacle and wiring for data must be maintained in accordance with UL 508A section 29.5 - Separation of circuits.

For Instructions in Local Languages
and Technical Support:
www.panduit.com/resources/install_maintain.asp

PANDUIT
www.panduit.com

E-mail:
cs@panduit.com
Fax:
(708) 444-6993

IndustrialNet Data Access Port Template

