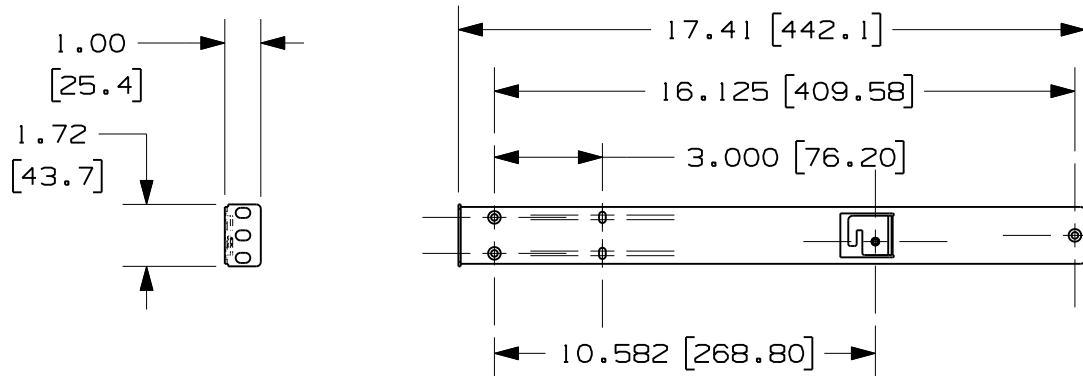
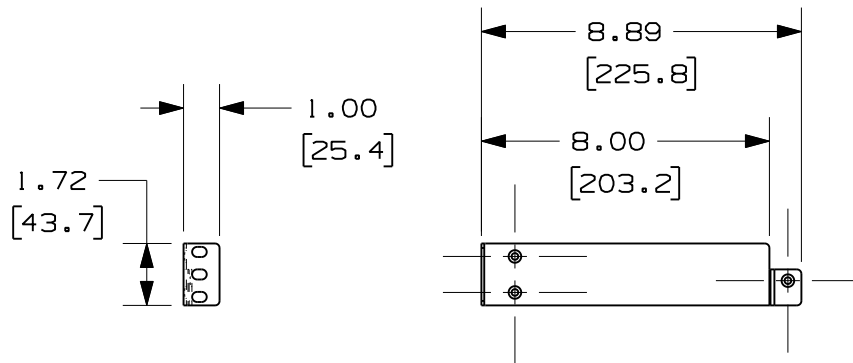


THIS COPY IS PROVIDED ON A RESTRICTED BASIS AND IS NOT TO BE USED IN ANY WAY DETRIMENTAL TO THE INTERESTS OF PANDUIT CORP.



FRONT SUPPORT BRACKET
(RIGHT AND LEFT)



REAR SUPPORT BRACKET
(RIGHT AND LEFT)

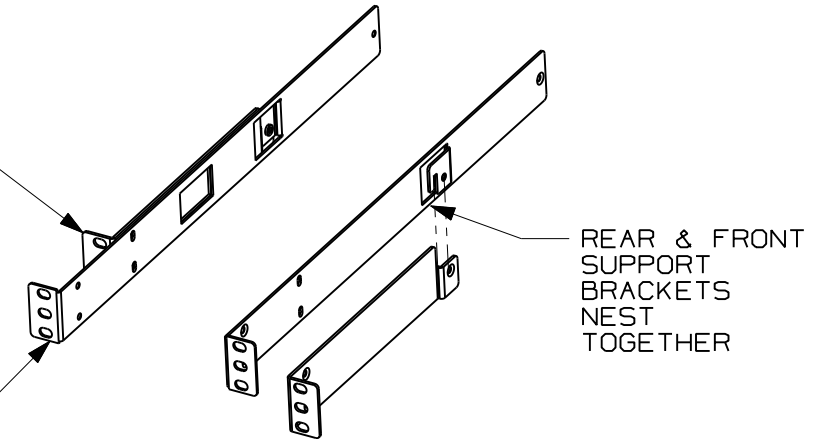
REAR
SUPPORT
BRACKET

FRONT
SUPPORT
BRACKET

PANDUIT P/N	WEIGHT
R2P5010B	1.75 LBS/EACH 0.8 Kg/EACH

NOTES:

- VISIT OUR ON-LINE CATALOG AT WWW.PANDUIT.COM FOR A CURRENT LIST OF PRODUCTS APPLICABLE FOR USE WITH THIS PART.
- COMPONENTS:
1- 1RU CISCO 5010 MOUNT BRACKET SET
2- PACK OF (4) #12-24 SCREWS
- DIMENSIONS IN PARENTHESIS ARE METRIC.



MODEL FILENAME	V10160FC/03
CAD FILENAME/LAYERS	V10160FC_DC/03A

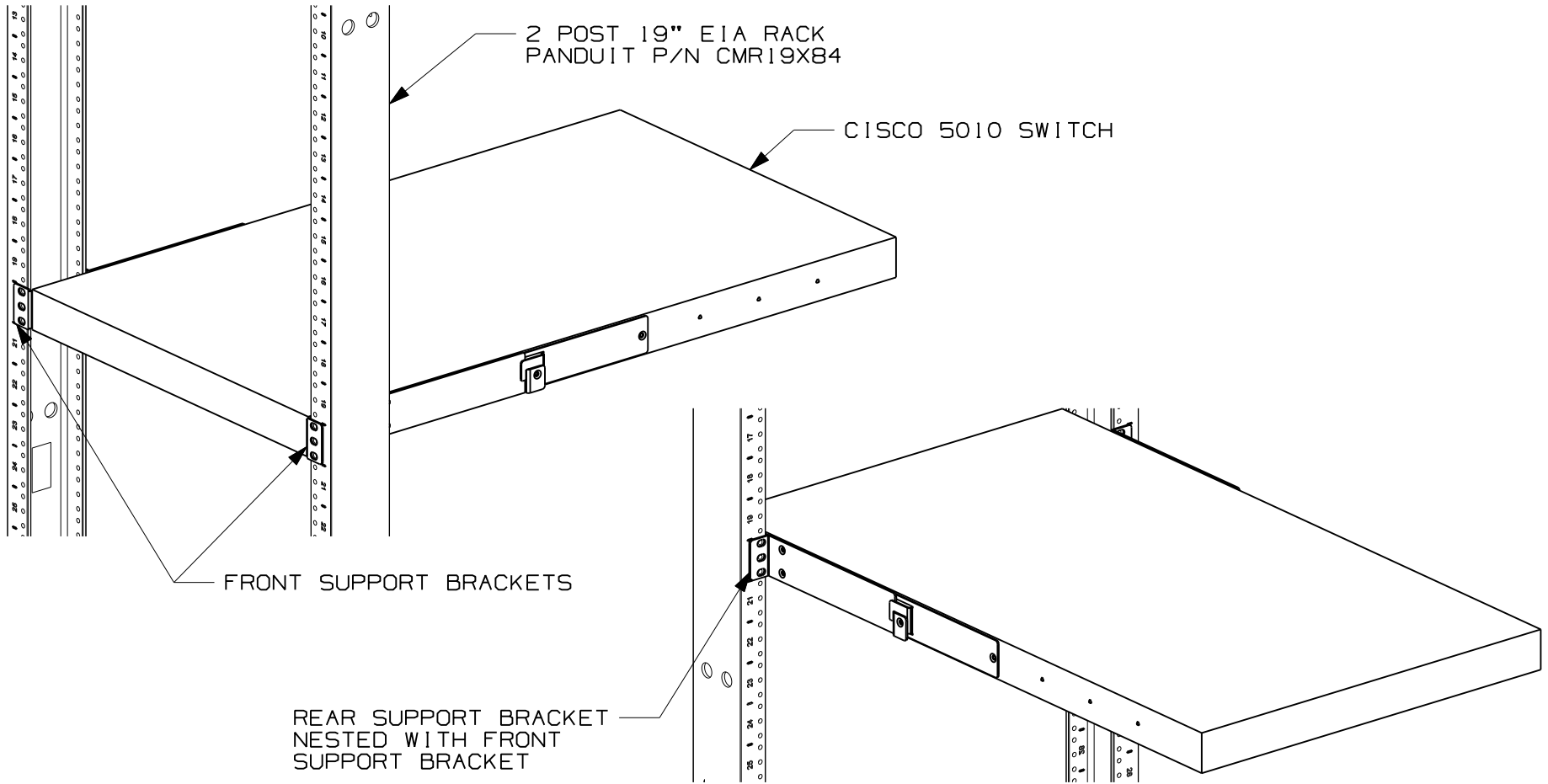
PANDUIT CORP. TINLEY PARK, ILLINOIS
CISCO 5010 MOUNT BRACKET ASSEMBLY
(R2P5010B)
CUSTOMER DRAWING

UNLESS OTHERWISE SPECIFIED, DIMENSIONAL TOLERANCES ARE: INCHES X.X +/- 0.03 X.XX +/- 0.015 X.XXX +/- 0.005	[METRIC - MILLIMETER] X.X +/- 0.8 X.X +/- 0.4 X.XX +/- 0.13	ANGLE +/- 1°	UNLESS OTHERWISE SPECIFIED, ALL DIMENSIONS ARE GIVEN IN INCHES, THIRD ANGLE PROJECTION.
---	---	--------------	---

REV	DATE	BY	CHK	DESCRIPTION	ECN	R	CUST	SUP	OTH
O3A	8-27-10	RYB		RELEASED FOR PRODUCTION	V10160FC				
O2A	5-6-10	RYB		RELEASED FOR REVIEW	V10160FC				

DRAWN BY RYB	MAT'L: STEEL	SCALE NONE
DATE 5-6-10		DRAWING NO. V10160FC SHT 1 OF 2
CHK'D		DWG A SIZE

THIS COPY IS PROVIDED ON A RESTRICTED BASIS AND IS NOT TO BE USED IN ANY WAY DETRIMENTAL TO THE INTERESTS OF PANDUIT CORP.



MODEL FILENAME V10160FC/03

CAD FILENAME/LAYERS V10160FC_DC/03A

PANDUIT CORP. TINLEY PARK, ILLINOIS
 CISCO 5010 MOUNT BRACKET ASSEMBLY (R2P5010B)
 CUSTOMER DRAWING

UNLESS OTHERWISE SPECIFIED, DIMENSIONAL TOLERANCES ARE:
 INCHES X.X +/- 0.03 X.XX +/- 0.015 X.XXX +/- 0.005
 [METRIC - MILLIMETER] X. +/- 0.8 X.X +/- 0.4 X.XX +/- 0.13
 ANGLE +/- 1°
 UNLESS OTHERWISE SPECIFIED, ALL DIMENSIONS ARE GIVEN IN INCHES, THIRD ANGLE PROJECTION.

REV	DATE	BY	CHK	DESCRIPTION	ECN	R	CUST	SUP	OTH
O3A	8-27-10	RYB		SEE SHEET 1 OF 2	V10160FC				
O2A	5-6-10	RYB		SEE SHEET 1 OF 2	V10160FC				

DRAWN BY RYB	MAT'L: STEEL	SCALE NONE
DATE 5-6-10		DRAWING NO. V10160FC SHT 2 OF 2
CHK'D		DWG A SIZE