

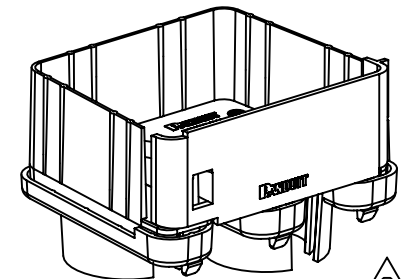
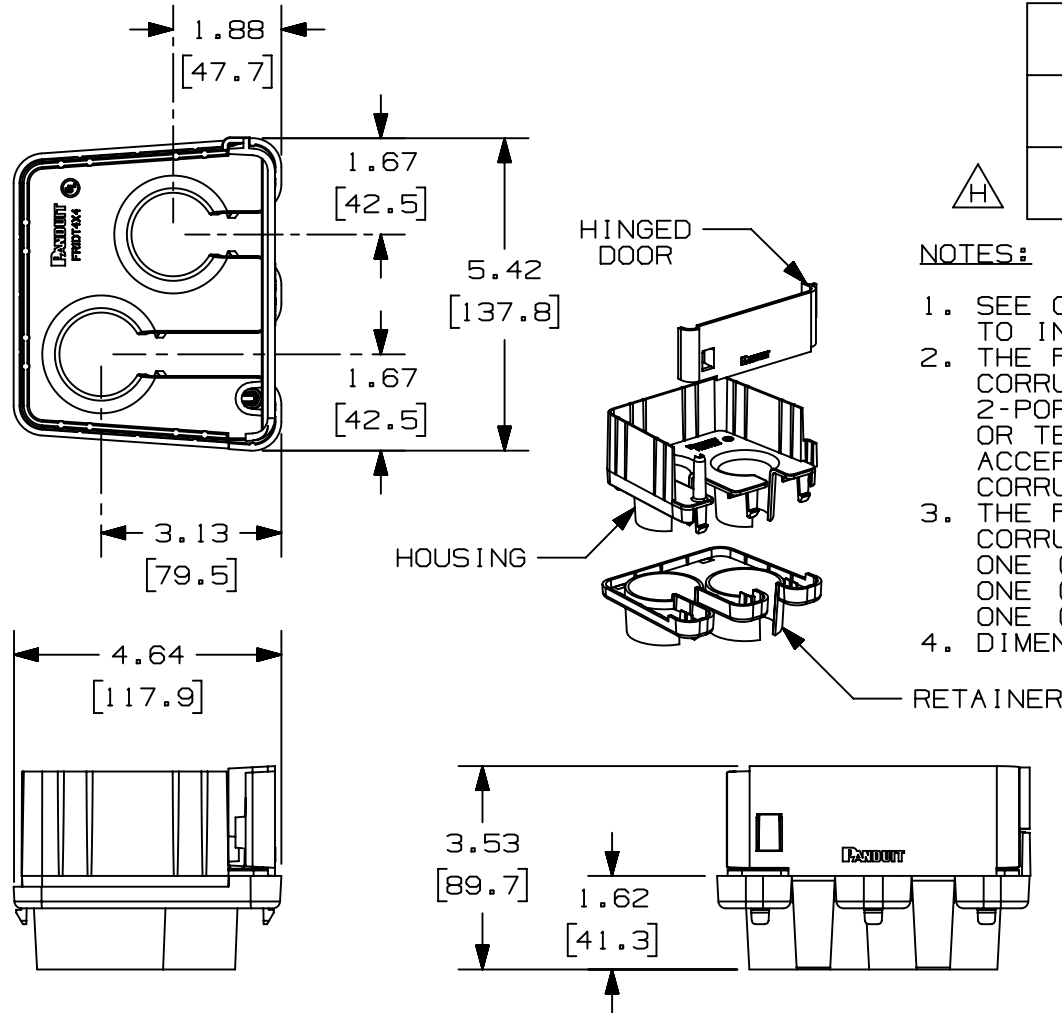
THIS COPY IS PROVIDED ON A RESTRICTED BASIS AND IS NOT TO BE USED IN ANY WAY DETRIMENTAL TO THE INTERESTS OF PANDUIT CORP.

PANDUIT PART NUMBER	WEIGHT	MATERIAL
FRIDT4X4**	0.5 LB/EACH (227g/EACH)	ABS
FRIDT4X4L**	0.5 LB/EACH (227g/EACH)	PC/ABS



NOTES:

1. SEE CURRENT CATALOG FOR ADDITIONAL PART SUFFIXES TO INDICATE COLOR AND/OR PACKAGE QUANTITY.
2. THE FIBERRUNNER 4x4 2-PORT SPILL-OUT TO 1 1/2" I.D. CORRUGATED LOOM TUBING IS USED TO CREATE A 2-PORT FLEXIBLE SPILL-OUT INTO EQUIPMENT FRAMES OR TELECOMMUNICATIONS CABINETS. THE SPILL-OUT ACCEPTS TWO (2) PIECES OF 1 1/2" (38.1) I.D. SLIT CORRUGATED LOOM TUBING (CLT150F-X\*\*, CLT150F-T20)
3. THE FIBERRUNNER 4x4 2-PORT SPILL-OUT TO 1 1/2" I.D. CORRUGATED LOOM TUBING INCLUDES:  
ONE (1) 2-PORT SPILL-OUT HOUSING,  
ONE (1) 2-PORT SPILL-OUT RETAINER,  
ONE (1) 2-PORT SPILL-OUT HINGED DOOR
4. DIMENSIONS IN PARENTHESES ARE IN METRIC.



REV	DATE	BY	CHK	APR	DESCRIPTION	ECN
04A	01-14-20	MES	DWR	DWR	H. ADDED FRIDT4X4L** PART NUMBER	V09002DZ/01
3	05-15-13	JBN	RTFI	RN	G. UPDATED DRAWING BORDER & TITLE BLOCK	37847-85

<b>TITLE</b> FIBERRUNNER 4X4 2-PORT SPILL-OUT TO 1-1/2" I.D. CORRUGATED LOOM TUBING - FRIDT4X4**, FRIDT4X4L** CUSTOMER DRAWING			
<b>ITEM REVISION NAME</b> D37847DH/01			
<b>DATASET FILE NAME</b> D37847DH_DC/04A			
UNLESS OTHERWISE SPECIFIED, DIMENSIONAL TOLERANCES ARE: IN (mm)		<b>MATERIAL:</b> SEE PART NUMBER TABLE ABOVE	
.X ± .03 [ .8 ] .XXX ± ANGLES ±		<b>DRAWING NUMBER:</b> 37847-85	
		<b>THIRD ANGLE PROJECTION</b>	
<b>DRAWN BY</b> MSO	<b>DATE</b> 12-27-01	<b>CHK</b> WAB	<b>SCALE</b> NONE
SHT 1 OF 1		A	

D10100DA/15