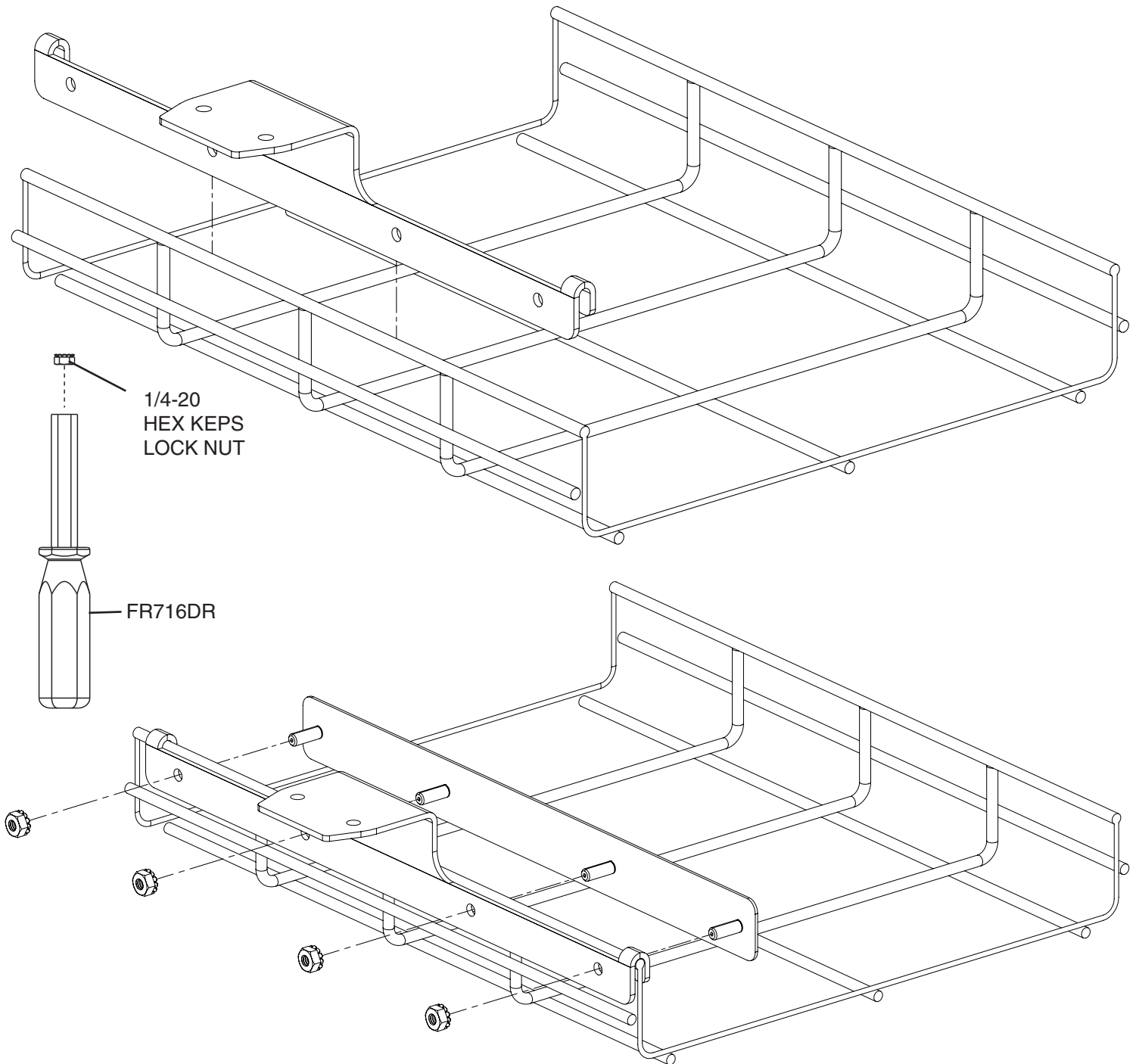
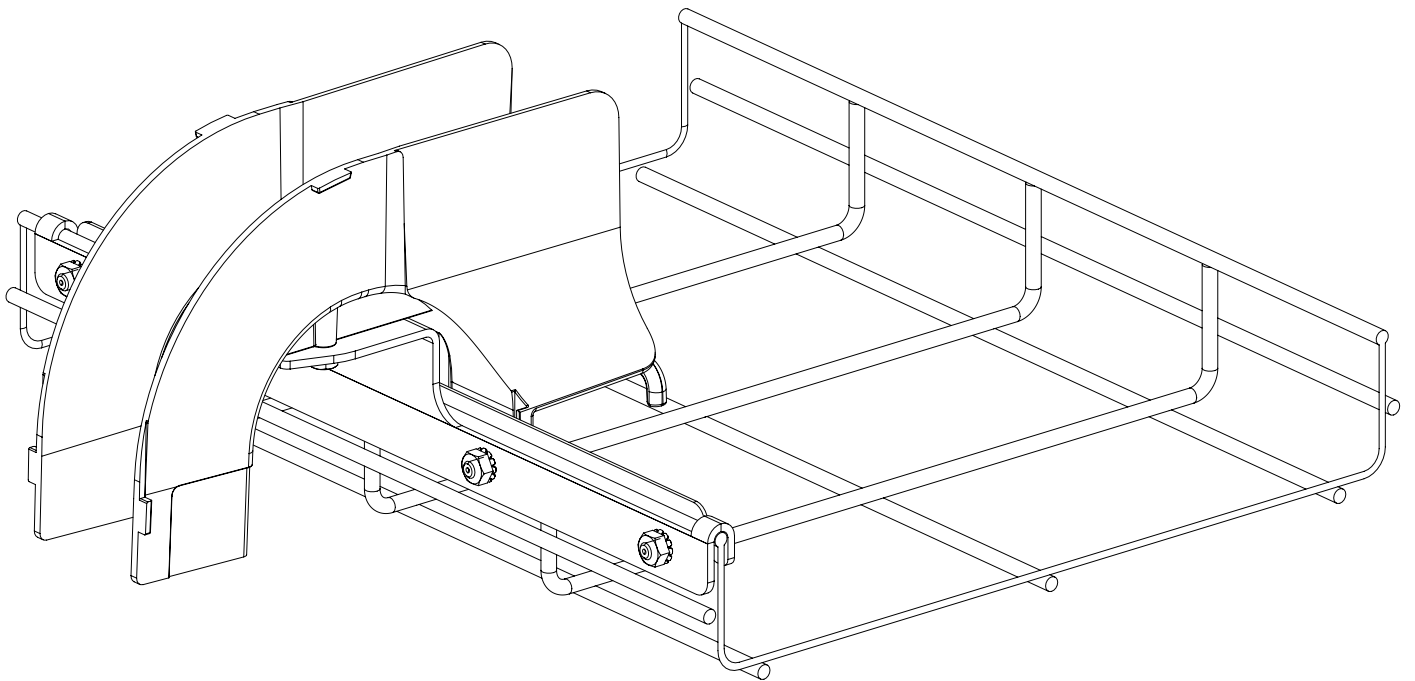
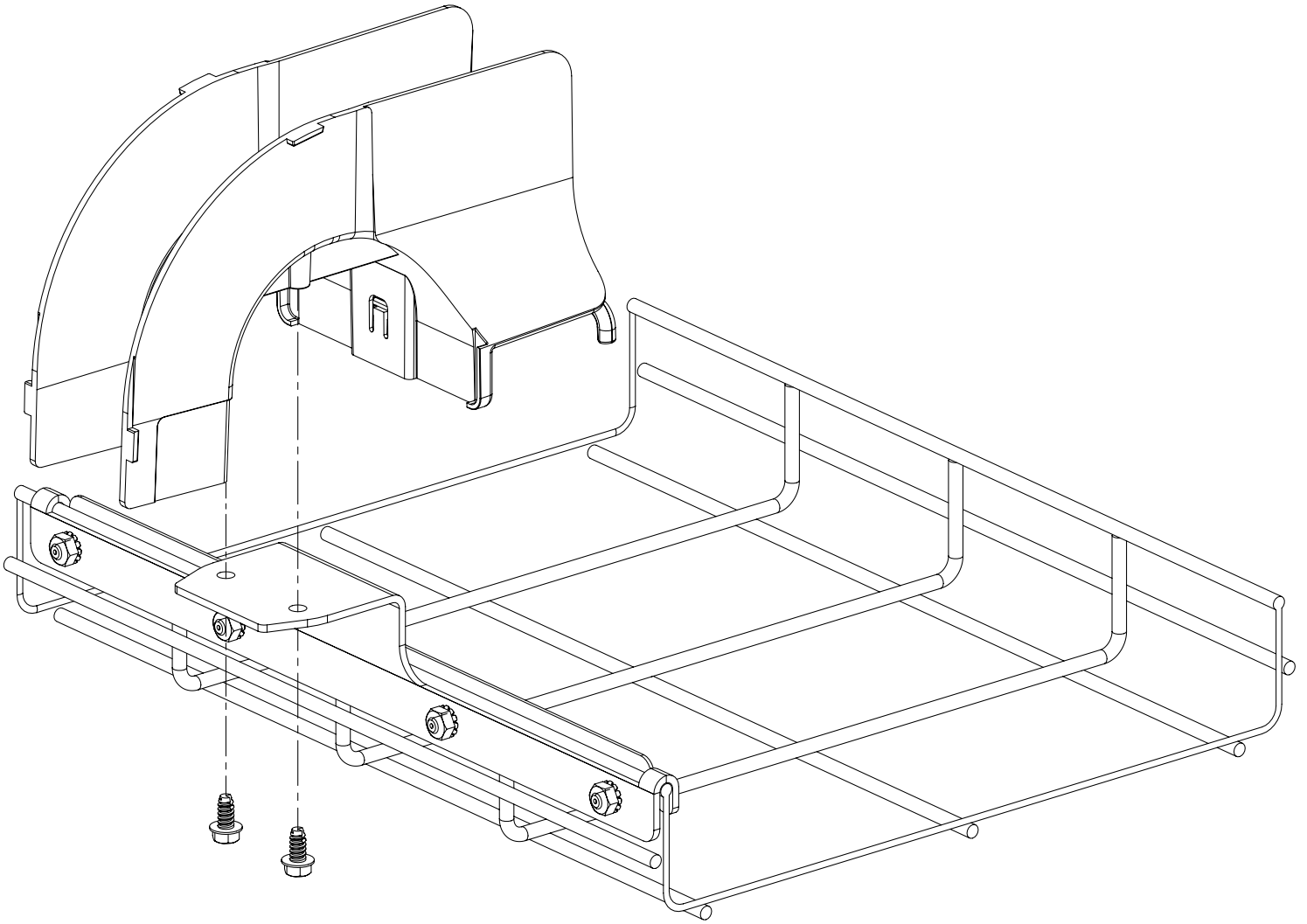
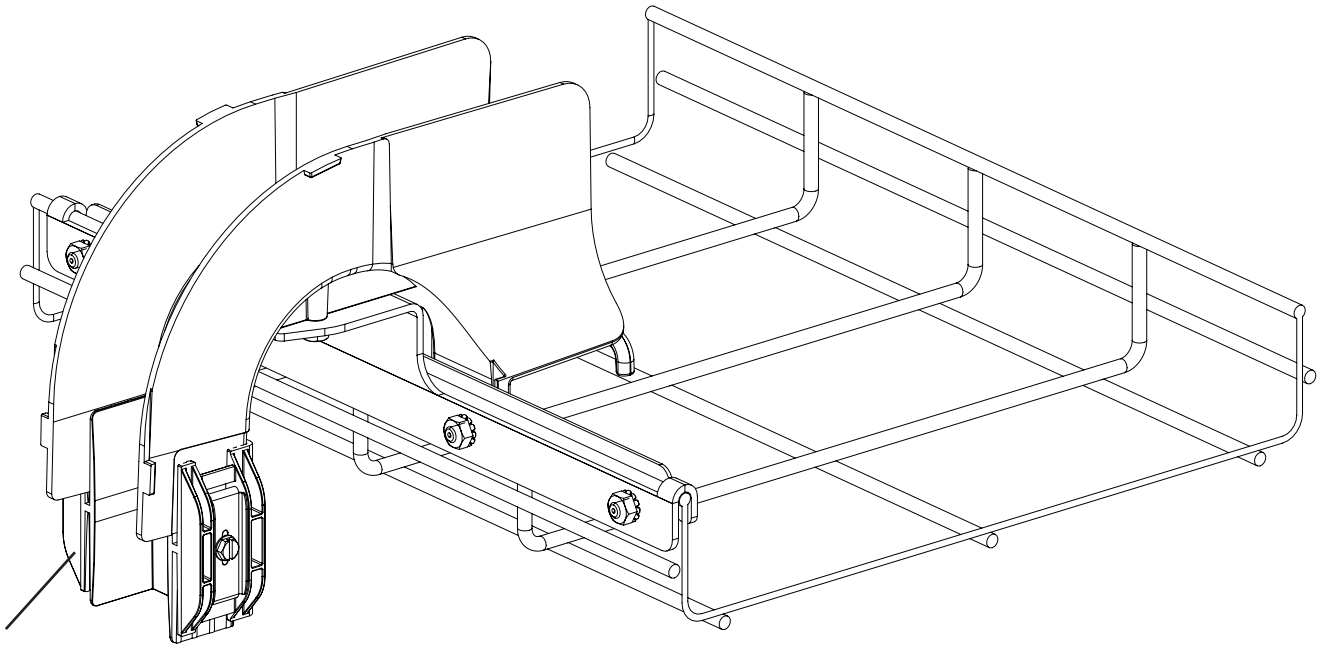


ALL FASTENERS ARE SUPPLIED

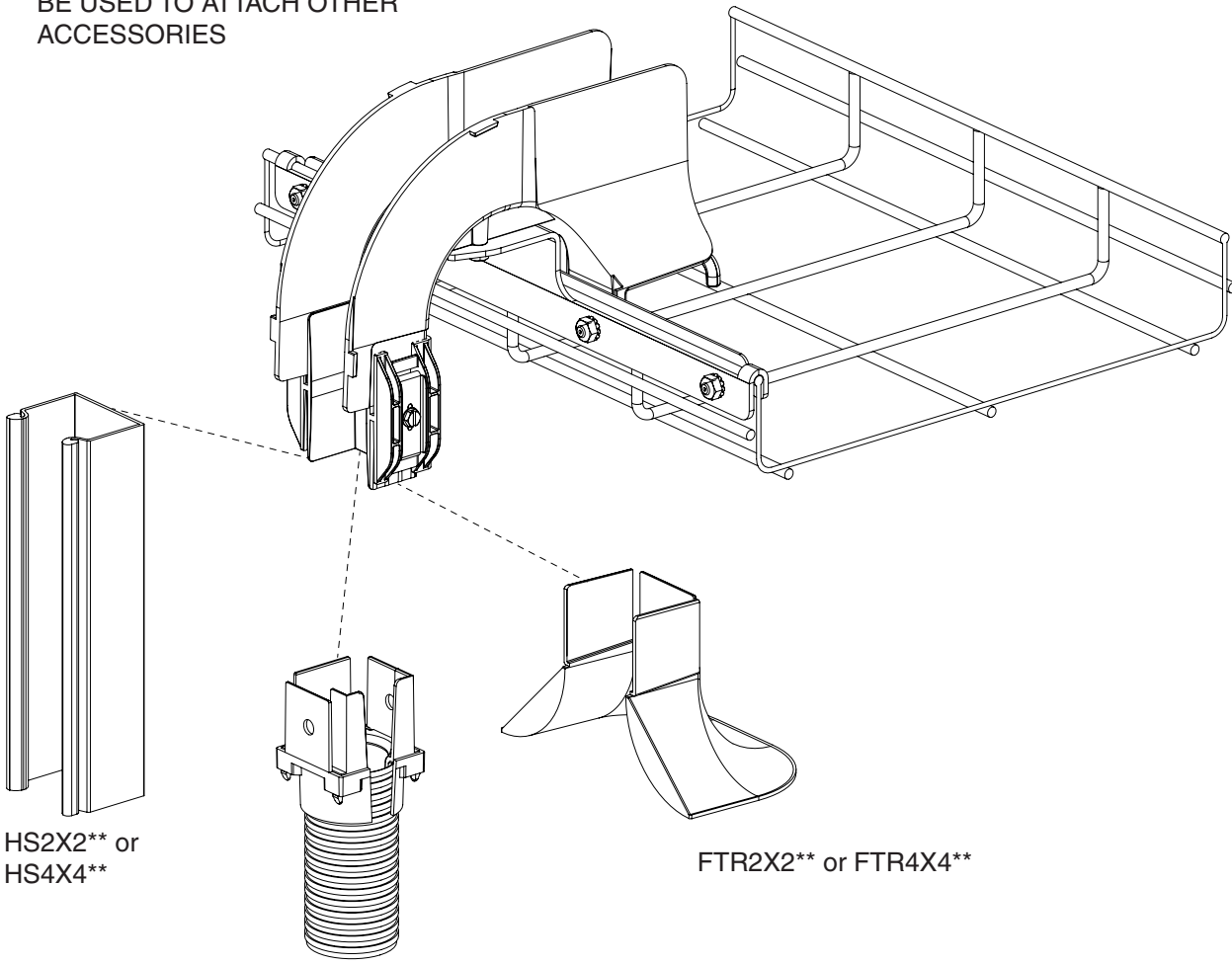


TORQUE = 60 in-lb (6.8 N-m)





FBC2X2** or FBC4X4** CAN BE USED TO ATTACH OTHER ACCESSORIES



HS2X2** or HS4X4**

FIDTR2X2**

FTR2X2** or FTR4X4**

For Instructions in Local Languages and Technical Support:

http://www.panduit.com/resources/install_maintain.asp

PANDUIT

www.panduit.com

E-mail: techsupport@panduit.com

Phone: 866-405-6654