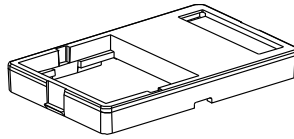
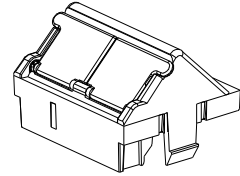


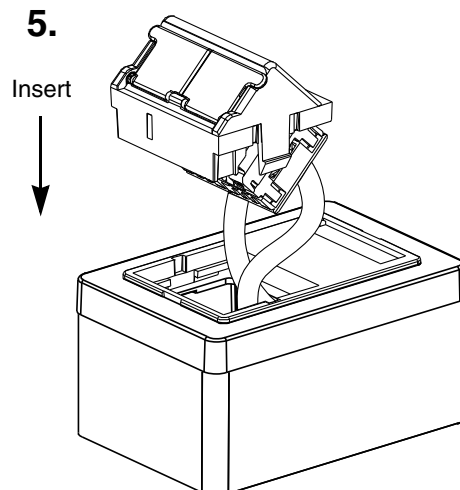
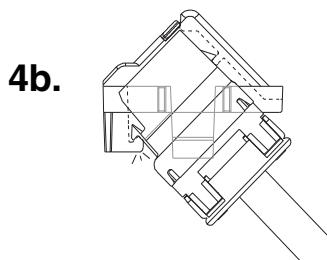
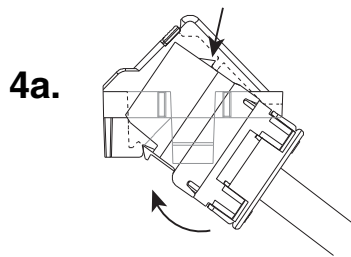
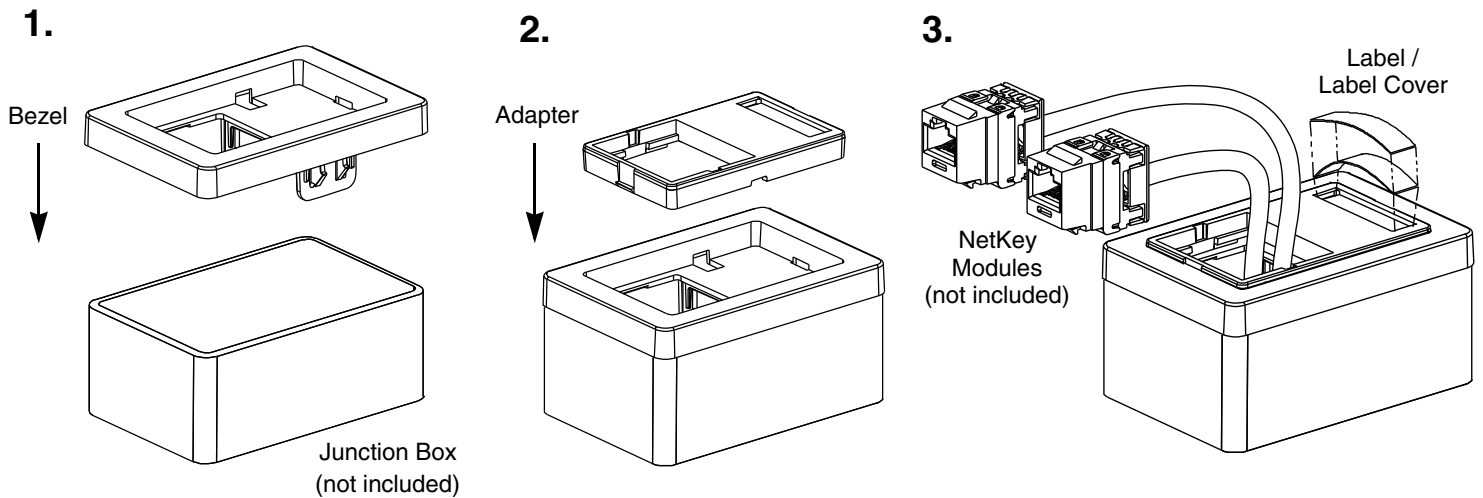
CFPDP**
Bezel



CFPDA**
Adapter



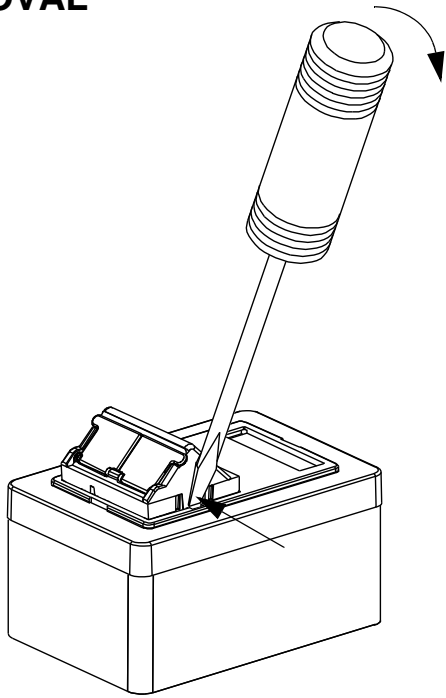
NKHS2S**
Insert



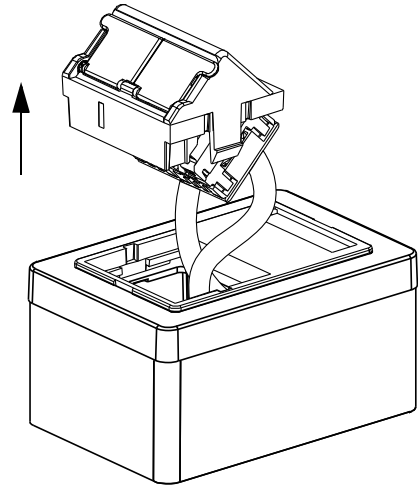
** Denotes color.

REMOVAL

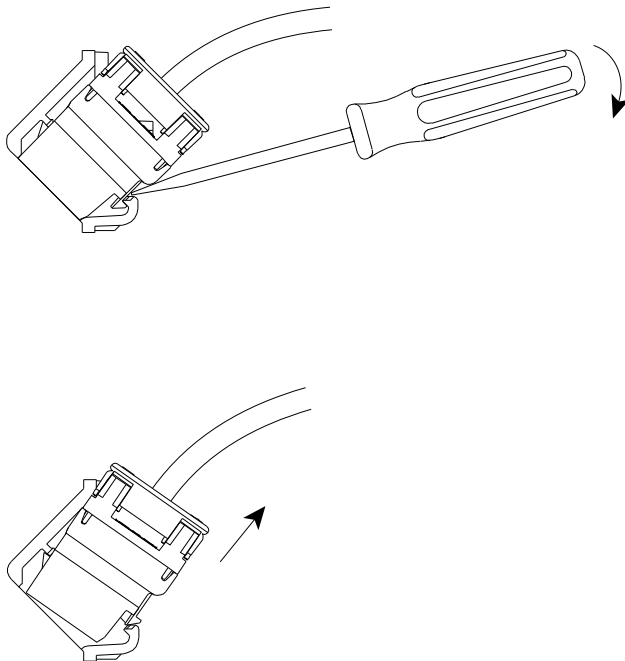
1.



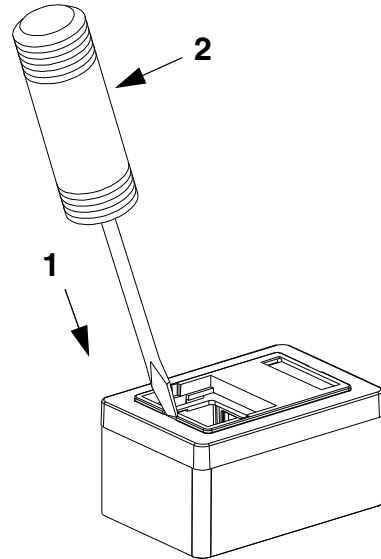
2.



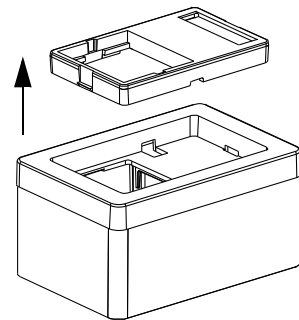
3.



4.



5.



For Instructions in Local Languages
and Technical Support:
www.panduit.com/resources/install_maintain.asp

PANDUIT
www.panduit.com

E-mail:
techsupport@panduit.com
Phone:
866-405-6654