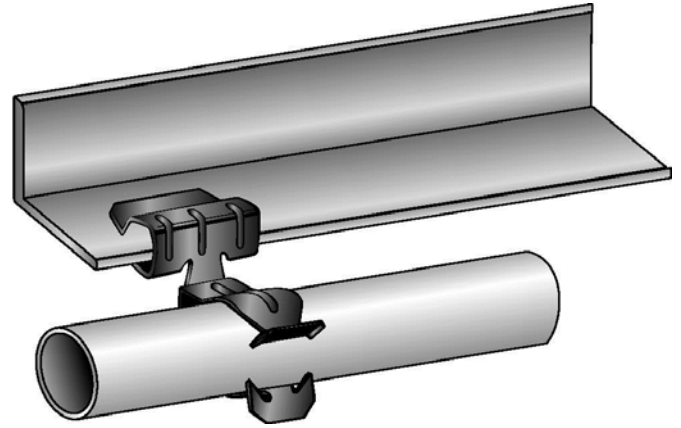
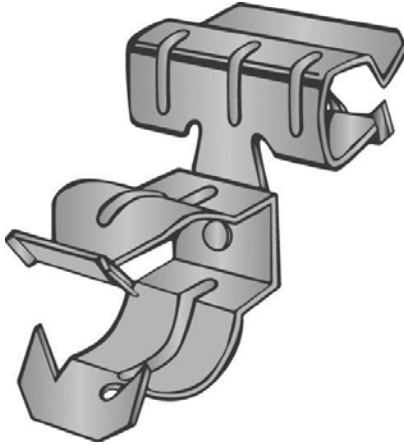


Part Number: P8P24SM

Product Description: BEAM CLAMP FOR 1/8" - 1/4" FLANGE WITH 1/2" PUSH FIT CONDUIT CLIP - SIDE MOUNT



### Material Specifications

Type: Assembly

Finish: Assembly

Color: Various

### Function Specifications

#### Compatible Wires and Cables

AC/MC CABLE (OD):  
Drop Wire:  
Plain Rod (in):

#### Threaded Rods and Bolts

Tapped Holes:  
Clearance Holes (in):  
Threaded Rod Size (in):

#### Compatible Conduit

EMT Size (in): 1/2  
Rigid/IMC (in):

#### Compatible Flanges and Studs

Flange Size (in): 1/8 to 1/4  
Metal Stud Size (ins):

#### Static Load Rating

Vertical (lbs): 15  
Horizontal (lbs):

#### Other

### Codes and Regulatory

Regulatory Certifications: -

Country of Origin: US

### Packaging

General Packaging: Cardboard Box  
Box Size: 8.25 X 7.25 X 5.75

Pieces per Package: 100  
Other Box Features:

### Document Information

Created By: DBLA  
Checked By: DJW  
Approved By: KLN

Customer Specification #: C11335  
Revision Level: 01  
ECN #: GAECN01482  
Date: 12/10/2013