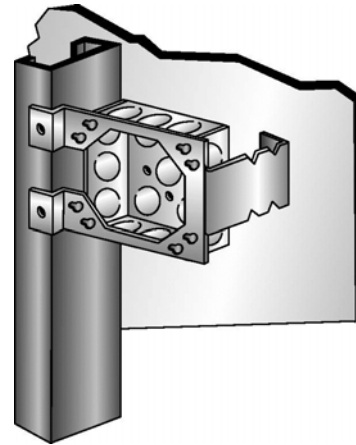
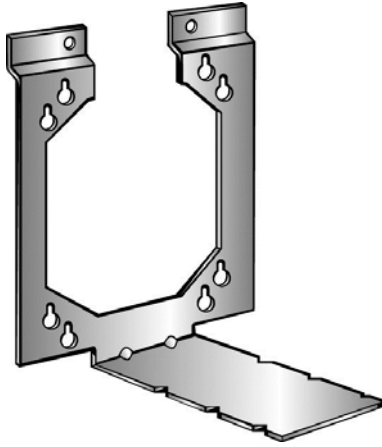


Part Number: PH23

Product Description: ELECTRICAL BOX MOUNTING SUPPORT BRACKET FOR 2-1/2" AND 3-1/2" STUDS



### Material Specifications

Type: Pre-Galvanized Steel

Finish: Pre-Galvanized

Color: Silver

### Function Specifications

#### Compatible Wires and Cables

AC/MC CABLE (OD):  
Drop Wire:  
Plain Rod (in):

#### Threaded Rods and Bolts

Tapped Holes:  
Clearance Holes (in):  
Threaded Rod Size (in):

#### Compatible Conduit

EMT Size (in):  
Rigid/IMC (in):

#### Compatible Flanges and Studs

Flange Size (in):  
Metal Stud Size (ins): 2-1/2 to 3-1/2

#### Static Load Rating

Vertical (lbs):  
Horizontal (lbs):

#### Other

Suitable for 4" and 4-11/16" electrical boxes

### Codes and Regulatory

Regulatory Certifications: -

Country of Origin: US

### Packaging

General Packaging: Cardboard Box  
Box Size: 11 X 7.5 X 7.25

Pieces per Package: 100  
Other Box Features:

### Document Information

Created By: DBLA  
Checked By: DJW  
Approved By: KLN

Customer Specification #: C11217  
Revision Level: 01  
ECN #: GAECN01482  
Date: 12/10/2013