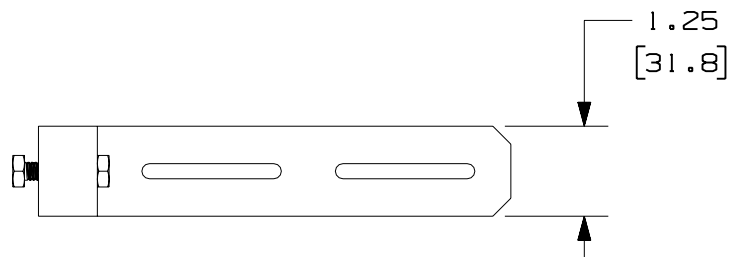


THIS COPY IS PROVIDED ON A RESTRICTED BASIS AND IS NOT TO BE USED IN ANY WAY DETRIMENTAL TO THE INTERESTS OF PANDUIT CORP.

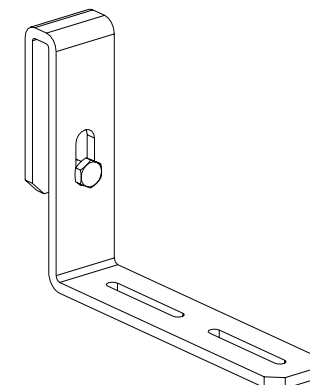
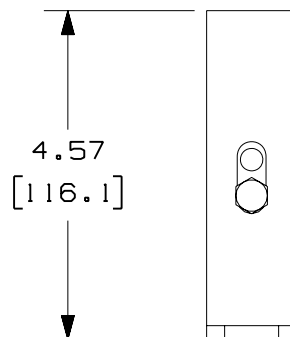
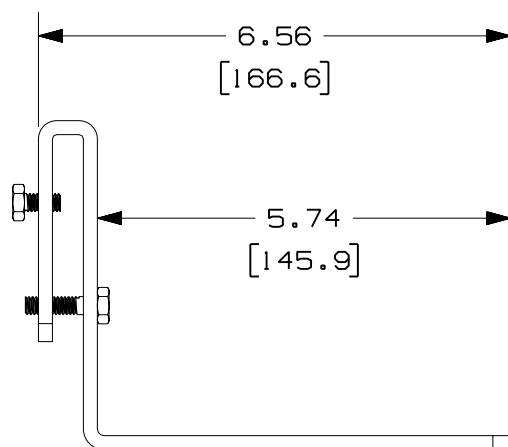


PANDUIT P/N	WEIGHT
FLRB	0.84 LB/EACH (381g/EACH)



**NOTES:**

1. SEE CURRENT CATALOG FOR ADDITIONAL PART SUFFIXES TO INDICATE PACKAGE QUANTITY.
2. THE FIBER-DUCT 2x2, 4x4 AND FIBERRUNNER 2x2 LADDER RACK BRACKET KIT ALLOWS FOR FIBER-DUCT 2x2, 4x4 AND FIBERRUNNER 2x2 TO BE MOUNTED TO THE STRINGER OF 3/8"x1 1/2" (9.5x38.1) OR 3/8"x2" (9.5x50.8) LADDER RACK.
3. THE FIBER-DUCT LADDER RACK BRACKET KIT INCLUDES: ONE (1) BRACKET ASSEMBLY, TWO (2) #10-32x1/2 PAN HEAD SLOTTED MACHINE SCREWS, TWO (2) #10-32 HEX MACHINE SCREW NUTS, TWO (2) #10 HELICAL SPRING LOCKWASHERS.
4. FINISH COLOR: YELLOW ZINC DICHROMATE (EXCEPT HARDWARE)
5. DIMENSIONS IN PARENTHESES ARE IN METRIC.



ENG. REF.: D35245BL\_DC\_FLRB\_05.prt



CAD FILENAME/LAYERS		FLRB.pdf	
<b>PANDUIT</b> CORP TINLEY PARK, ILLINOIS			
FIBER-DUCT 2x2, 4x4 AND FIBERRUNNER 2x2 LADDER RACK BRACKET (FLRB) CUSTOMER DRAWING			
UNLESS OTHERWISE SPECIFIED, DIMENSIONAL TOLERANCES ARE:		UNLESS OTHERWISE SPECIFIED, ALL DIMENSIONS ARE GIVEN IN INCHES, THIRD ANGLE PROJECTION.	
(.X) ± (.XX) ± .03 (.8)		(.XXX) ± ANGLES ±	
DRAWN BY	TCP	MAT'L:	STEEL
DATE	10-29-96	SCALE	NONE
CHK'D	CEP	DRAWING NO.	35245-12
		DWG SIZE	A

REV	DATE	BY	CHK	DESCRIPTION	ECN	R	CUST	SUP	GMBH
5	8-2-06	DTP	RN	U. REVISED PART WEIGHT. T. REVISED DRAWING TITLE.	35245-12	RN	RN		
-	-----	---	---	S. REVISED GENERAL NOTES. R. REVISED MAT'L REFERENCE.	-----	--	--		
-	-----	---	---	Q. REV'D DIM. TOLERANCE. P. REVISED CAD FILENAME.	-----	--	--		
4	6-15-04	MSO	SMF	O. REV'D DWG. TO CUR. STAND. N. REVISED AND REDRAWN.	35245-12	RN	RN		