

THIS COPY IS PROVIDED ON A RESTRICTED BASIS AND IS NOT TO BE USED IN ANY WAY DETRIMENTAL TO THE INTERESTS OF PANDUIT CORP.

T-70 RACEWAY KNOCK-OUT
COMBINATION 1/2" OR 3/4" KNOCK-OUT

COMBINATION 1" OR 1 1/4" KNOCK-OUT

REMOVABLE PLATES FOR ADDITIONAL CABLE CAPACITY

REVERSIBLE AND REMOVABLE DOOR

NOTES:

- VISIT OUR ON-LINE CATALOG AT WWW.PANDUIT.COM FOR A LIST OF CURRENT PARTS APPLICABLE FOR USE WITH THIS PRODUCT.
- DIMENSIONS IN [] ARE METRIC.
- CAN BE USED WITH ANY 19" EIA STANDARD COMPONENT UP TO 36.9" [938mm] DEEP.
- 9 AVAILABLE RACK SPACES. (9 ACTIVE &/OR 9 PASSIVE)
- EQUIPMENT MOUNTING BRACKETS ARE ADJUSTABLE VERTICALLY IN 1.75" [44.5mm] INCREMENTS.
- WEIGHT: 112 LB [50.8 KG]
- LOAD CAPACITY: 400 LBS [181 KG]
- TOP AND BOTTOM PANELS ARE REMOVABLE FOR ACCESS TO EQUIPMENT.
- PART INCLUDES:

- (1) VERTICAL WALL MOUNT ENCLOSURE
- (1) PAIR OF HORIZONTAL ACTIVE EQUIPMENT RAILS (9RU)
- (1) PAIR OF ANGLED PASSIVE EQUIPMENT RAILS (9RU)
- (4) #12-24 SCREWS
- (4) M5 THREAD FORMING BONDING SCREWS
- (1) ROLL OF TAK-TY HOOK AND LOOP CABLE TIE
- (2) KEYS
- (1) ROLL OF GROMMET EDGING
- (1) HARDWARE KIT
- (1) DOOR GUIDE RAMP

REMOVABLE TOP LID

PERFORATED FOR AIRFLOW

WALL PASS-THRU KNOCK-OUT

ADJUSTABLE ANGLED PASSIVE EQUIPMENT RAILS

ADJUSTABLE HORIZONTAL ACTIVE EQUIPMENT RAILS (#12-24 AND CAGE NUT)

MULTIPLE CONDUIT BOX MOUNTING LOCATIONS

REMOVABLE BOTTOM PLATE

PERFORATED FOR AIRFLOW

PERFORATED FAN KNOCK-OUTS

28.5
[724]

42.0
[1068]

COMBINATION 1 1/2" OR 2" KNOCK-OUT

T-70 RACEWAY KNOCK-OUT

COMBINATION 1/2" OR 3/4" KNOCK-OUT

19.9
[506]

PART NUMBER

WME9BL

TITLE

VERTICAL WALL MOUNT ENCLOSURE 9RU

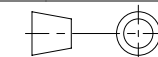
CUSTOMER DRAWING

ITEM REVISION NAME

00490EAC/03

DATASET FILE NAME

00490EAC_DC/03A



THIRD ANGLE PROJECTION

MATERIAL

STEEL

PANDUIT

DRAWN BY

DATE

3-17-20

CHK

KZU

SCALE

NONE

DRAWING NUMBER

00490EAC - DC

TWV

3-17-20

KZU

NONE

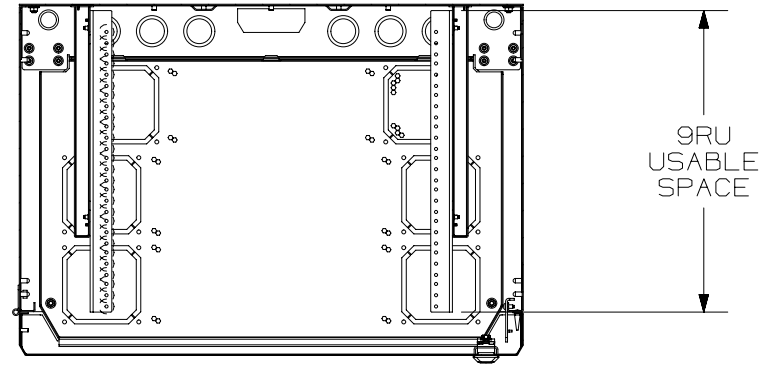
SHEET 1 OF 3

SIZE

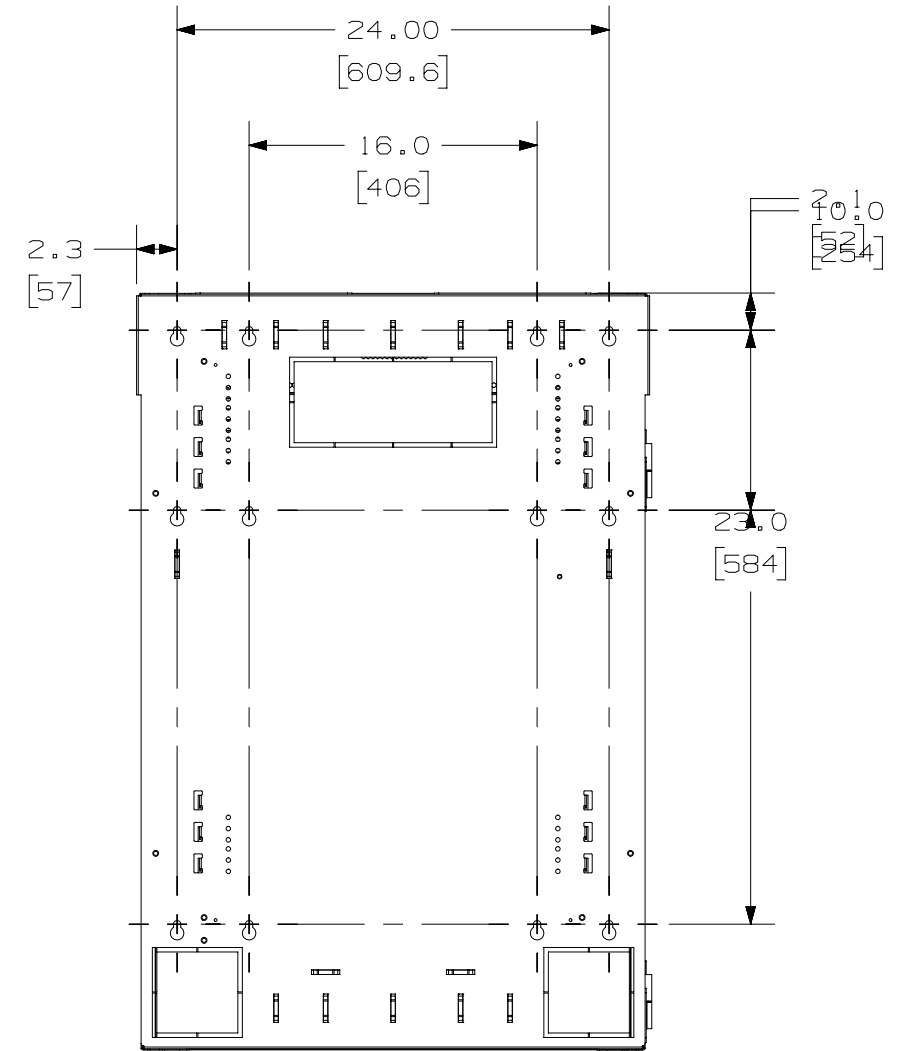
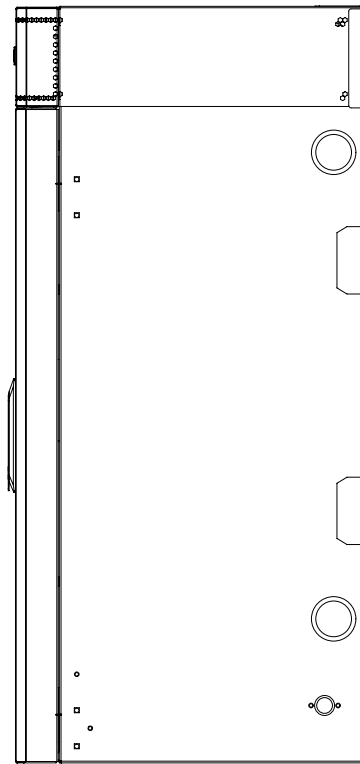
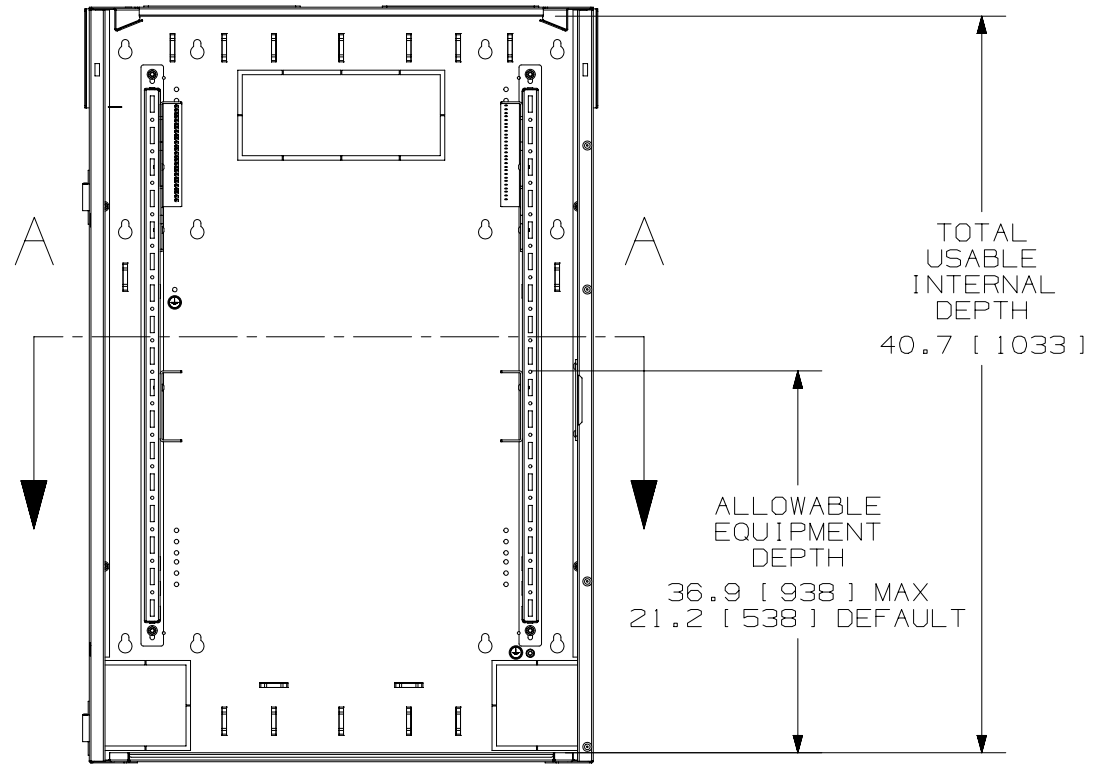
B

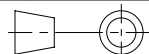
REV	DATE	BY	CHK	APR	DESCRIPTION	ECN
03A	6-13-22	TWV	KZU	BETL	ADDED DOOR GUIDE RAMP	M09000LL
01A	3-17-20	TWV	KZU	BETL	RELEASED TO PRODUCTION	M09000LH

B-SIZE CUSTOMER



SECTION A - A



PART NUMBER		WME9BL		
TITLE		VERTICAL WALL MOUNT ENCLOSURE 9RU		
		CUSTOMER DRAWING		
ITEM REVISION NAME		00490EAC/03		
DATASET FILE NAME		00490EAC_DC/03A		
		 THIRD ANGLE PROJECTION		
MATERIAL		STEEL		DRAWING NUMBER
				00490EAC - DC
DRAWN BY	DATE	CHK	SCALE	
TWV	3-17-20	KZU	NONE	
SHEET 2 OF 3				SIZE
				B

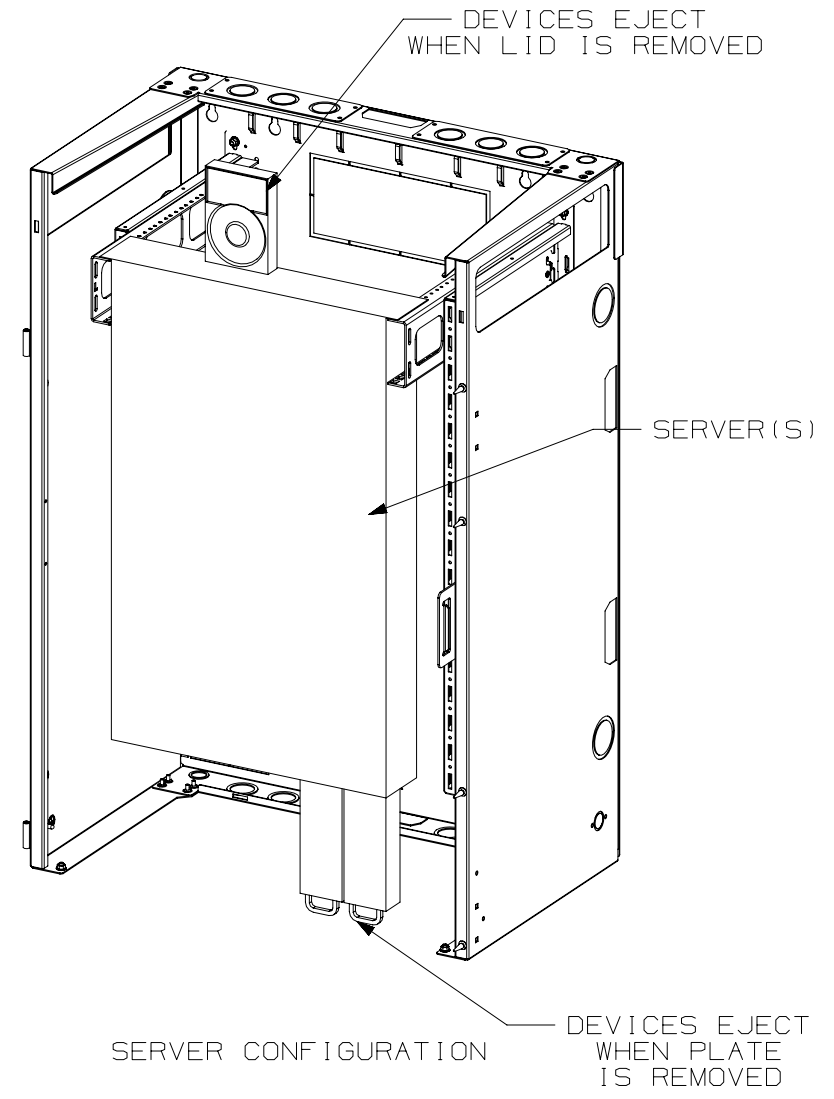
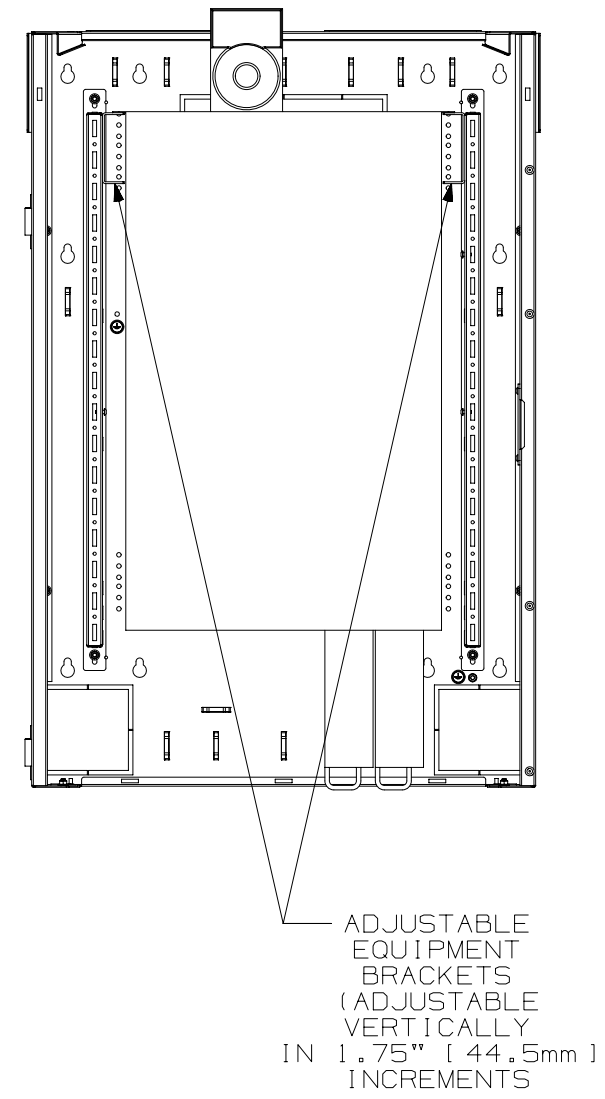
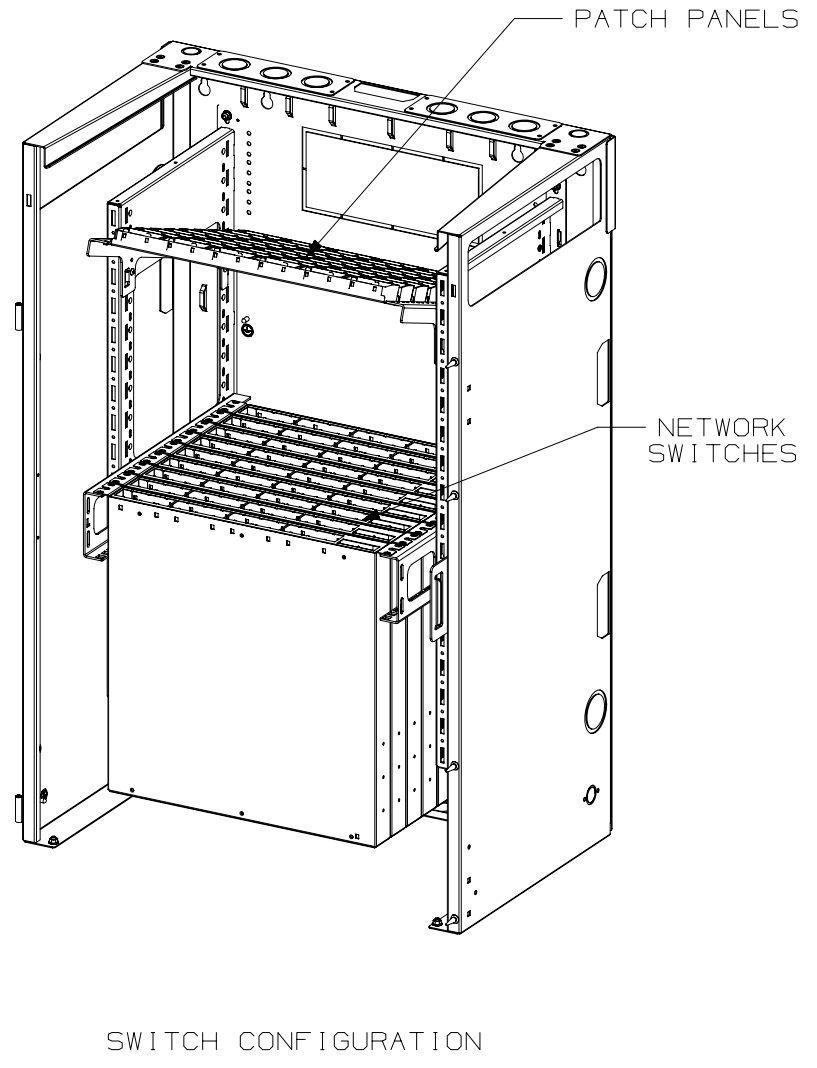
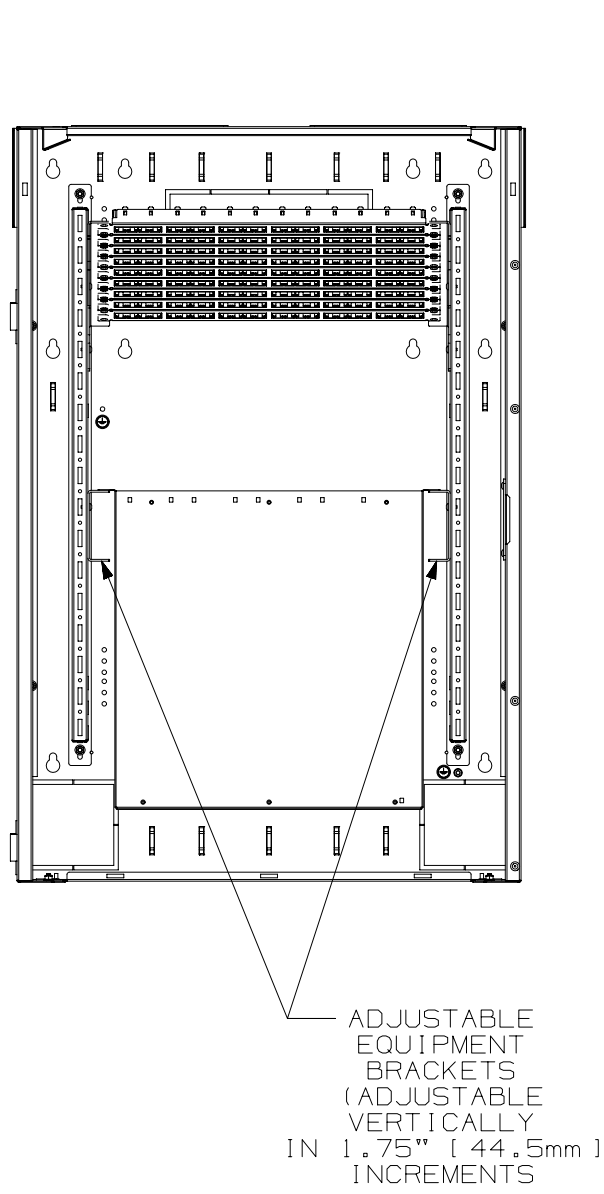
REV	DATE	BY	CHK	APR	DESCRIPTION	ECN
03A	6-13-22	TWV	KZU	BETL	SEE SHEET ONE FOR REVISIONS	M09000LL
01A	3-17-20	TWV	KZU	BETL	SEE SHEET ONE FOR REVISIONS	M09000LH

B-SIZE CUSTOMER

2



1



B

B

A

A

03A	6-13-22	TWV	KZU	BETL	SEE SHEET ONE FOR REVISIONS	M09000LL
01A	3-17-20	TWV	KZU	BETL	SEE SHEET ONE FOR REVISIONS	M09000LH
REV	DATE	BY	CHK	APR	DESCRIPTION	ECN

PART NUMBER		WME9BL	
TITLE			
VERTICAL WALL MOUNT ENCLOSURE 9RU			
CUSTOMER DRAWING			
ITEM REVISION NAME		00490EAC/03	
DATASET FILE NAME		00490EAC_DC/03A	
		THIRD ANGLE PROJECTION	
MATERIAL		STEEL	
DRAWING NUMBER		00490EAC - DC	
DRAWN BY	DATE	CHK	SCALE
TWV	3-17-20	KZU	NONE
SHEET 3 OF 3			SIZE
			B

B-SIZE CUSTOMER

2



1