

Fiber Optic Splice Module

SPECIFICATIONS

The fiber optic splice module (FOSM) shall house and protect fiber optic splices, guarantee proper fiber cable management and bend radius control, and allow for clear labeling and logical organization of the fiber optic splices. The FOSM shall support 24 fusion splices or 12 mechanical splices in one module and shall be compatible with all Panduit rack mounted fiber enclosures. Slacking and spooling shall be self-contained within the FOSM. The FOSM shall be self-stacking with a hinged clear cover.



TECHNICAL INFORMATION

<i>Attributes:</i>	Part Number	Height in. (mm)	Width in. (mm)	Depth in. (mm)
	FOSMF	0.36 (9.14)	13.9 (352.81)	5.3 (133.73)
	FOSMM	84.0 (2314)	20.3 (514)	6.0 (152)
<i>Mounting:</i>	Splice Module Holder for installation in FCE1U, FCE2U and FCE4U (ordered separately) Integral mounting points provided in FMT Fiber Mount Trays			
<i>Accessories:</i>	Accessory kit with foam splice chips, cable ties, and labels included			

KEY FEATURES AND BENEFITS

Houses up to 24 fusion splices or 12 mechanical splices in one module:	Uses common splice module for greater system flexibility and versatility
Increased fiber splicing capacity:	Maximizes fiber density for fusion splicing applications
Self-contained slacking and spooling:	Provides buffered fiber routing and storage within protected pathways for greater cable protection
Self-stacking trays with interlocking hinge:	Eliminates need for external splice tray holder for faster installation
Clear, hinged cover:	Enables inspection and access to splices for easier moves, adds, and changes
Fits in all Opticom[®] Rack Mount Enclosures:	Simplifies ordering with a versatile product that works in all Panduit FCE*U, and FMT series rack mount enclosures

APPLICATIONS

The fiber optic splice module provides a flexible system for managing fiber optic splices. The FOSM is an upgrade component for all Panduit rack mount fiber enclosures. It is ideal for splicing OS2, OM1, OM2 and OM3/OM4/OM5 fiber to factory-terminated pigtails and is suitable for applications where fusion splicing yields installation time and labor cost benefits. The FOSM is also suitable for splicing long-run installations or very high bandwidth applications that typically require singlemode fiber. The FOSM delivers fusion splicing capacity equal to enclosure termination capacity for greater system flexibility. Integral cable management, bend radius control, and slack management features protect fiber optic cables, pigtails, and splices to ensure end-to-end signal integrity for greater network reliability and lowest cost of ownership.

Fiber Optic Splice Module

Splice module (fusion): FOSMF

Splice module (mechanical): FOSMM

Opticom Fiber Cassette Enclosures – FCE*U Series

1 RU for 4 FAPs or cassettes (up to 96 fibers): FCE1U

2 RU for 8 FAPs or cassettes (up to 192 fibers): FCE2U

4 RU for 12 FAPs or cassettes (up to 288 fibers): FCE4U

Opticom Rack Mount Fiber Trays – FMT Series

1 RU for 4 FAPs (up to 96 fibers): FMT1

2 RU for 8 FAPs (up to 192 fibers): FMT2

Splice Module Holders

Splice module holder for FCE1*U: FOSMH1*U

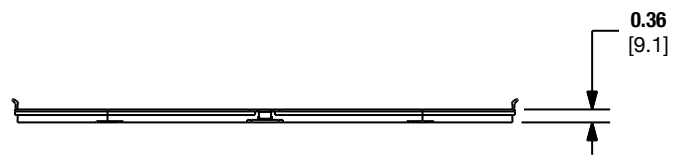
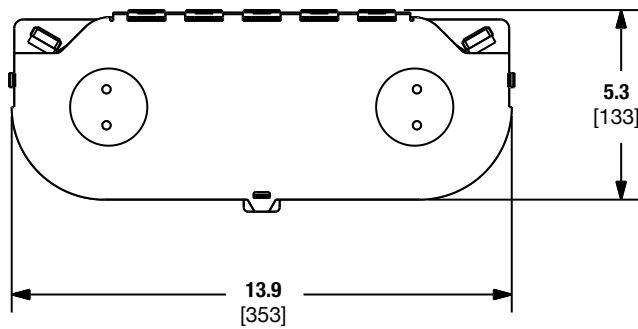
*Insert RU: 1, 2, or 4

Fiber Optic Splice Module

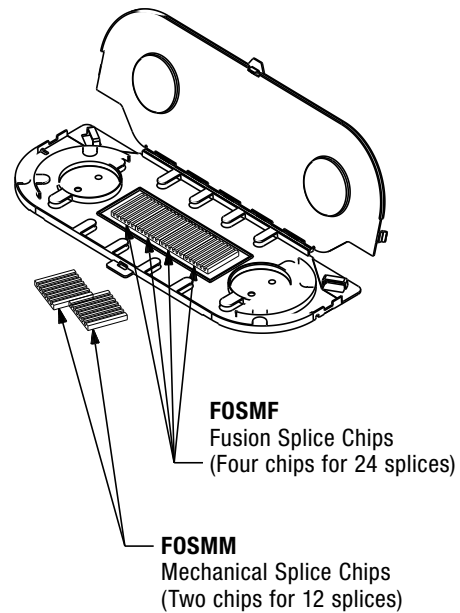
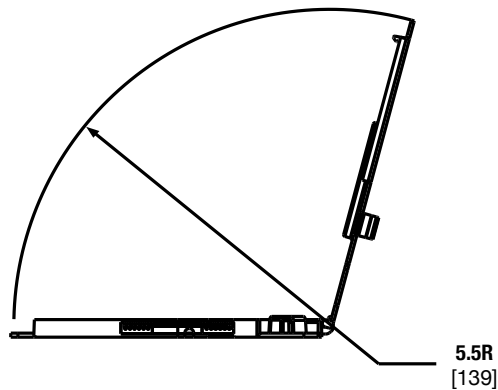
FIBER CAPACITIES

Rack Mount Fiber Enclosure	Number of FAP Openings	Maximum Number of Fibers	FOSMF Capacity	Maximum Number of Fusion Splices	FOSMM Capacity	Maximum Number of Mechanical Splices
FCE1U	4	96	4	96	4	48
FCE2U	8	192	8	192	8	96
FCE4U	12	288	12	288	12	144
FMT1	4	96	4	96	4	48
FMT2	8	192	8	192	8	96

ENGINEERING DRAWINGS



FOSMF and FOSMM Splice Chip Detail



NOTE: Splice chips can be placed parallel or rotated by 45° as needed

Dimensions are in inches. [Dimensions in brackets are metric].

WORLDWIDE SUBSIDIARIES AND SALES OFFICES

PANDUIT US/CANADA
Phone: 800.777.3300

PANDUIT EUROPE LTD.
London, UK
Phone: 44.20.8601.7200

PANDUIT SINGAPORE PTE. LTD.
Republic of Singapore
Phone: 65.6305.7575

PANDUIT JAPAN
Tokyo, Japan
Phone: 81.3.6863.6000

PANDUIT LATIN AMERICA
Guadalajara, Mexico
Phone: 52.33.3777.6000

PANDUIT AUSTRALIA PTY. LTD.
Victoria, Australia
Phone: 61.3.9794.9020

For a copy of Panduit product warranties, log on to www.panduit.com/warranty



For more information
Visit us at www.panduit.com
Contact Customer Service by email: cs@panduit.com
or by phone: 800.777.3300

© 2024 Panduit Corp.
ALL RIGHTS RESERVED.
FBSP289-WW-ENG
12/2024