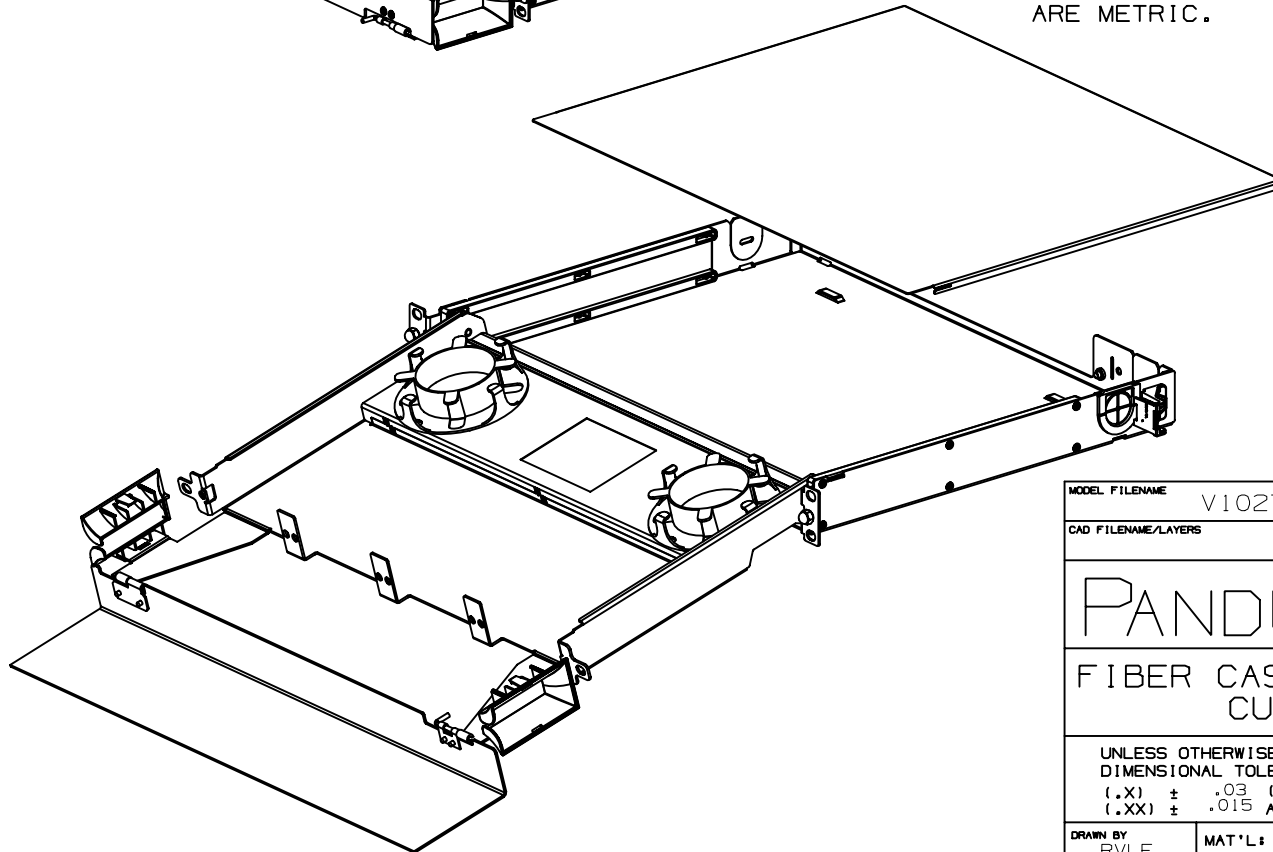
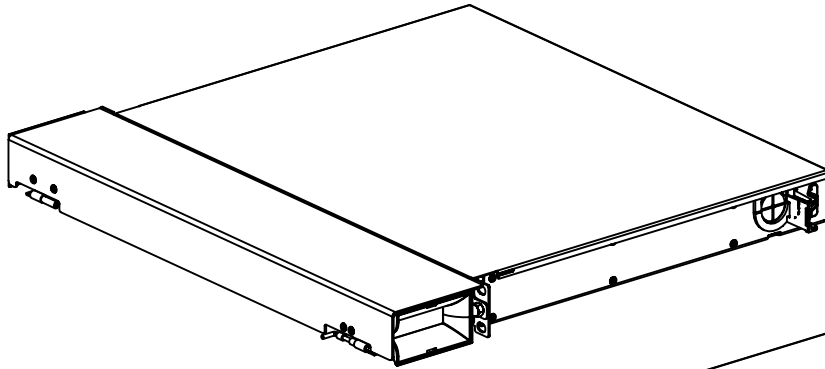


THIS COPY IS PROVIDED ON A RESTRICTED BASIS AND IS NOT TO BE USED IN ANY WAY DETRIMENTAL TO THE INTERESTS OF PANDUIT CORP.



PANDUIT P/N	WEIGHT
FCE1	14.3 LBS/EACH 6486 g/EACH

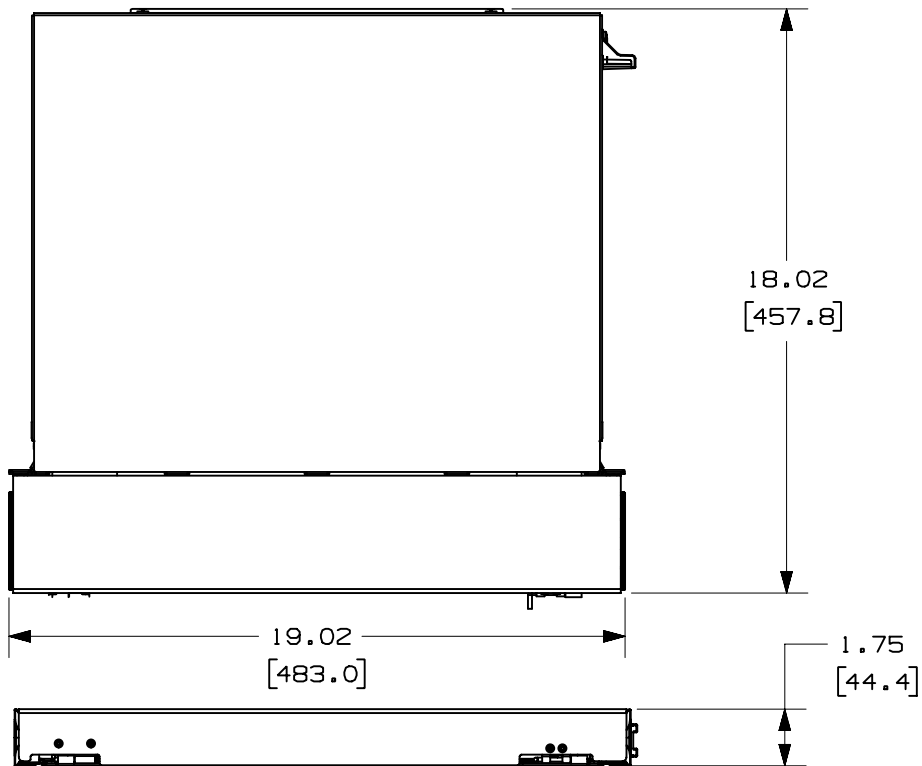
NOTES:

- VISIT OUR ON-LINE CATALOG AT [WWW.PANDUIT.COM](http://WWW.PANDUIT.COM) FOR A CURRENT LIST OF PARTS APPLICABLE WITH THIS PRODUCT.
- COMPONENTS:  
1- ENCLOSURE  
1- FCE1-KIT
- DIMENSIONS IN PARENTHESIS ARE METRIC.

MODEL FILENAME V10270AA_MPO_DRAWER_ASSY_02.PRT	
CAD FILENAME/LAYERS V10270AA_DC_02A.PRT	
<h1>PANDUIT</h1> CORP. TINLEY PARK, ILLINOIS	
<b>FIBER CASSETTE ENCLOSURE 1 RU</b> <b>CUSTOMER DRAWING</b>	
UNLESS OTHERWISE SPECIFIED, DIMENSIONAL TOLERANCES ARE: (.X) ± .03 (.XXX) ± .005 (.XX) ± .015 ANGLES ± 1°	UNLESS OTHERWISE SPECIFIED, ALL DIMENSIONS ARE GIVEN IN INCHES, THIRD ANGLE PROJECTION.
DRAWN BY RVLE	MAT'L:  <b>STEEL</b>
DATE 2/25/05	SCALE NONE
CHK'D	DRAWING NO. 10270-03 (SHEET 1 OF 2)
	DWG A SIZE

00	2/25/05	RVLE		SEE SHEET 2 OF 2 FOR REVISIONS	10270-03					
REV	DATE	BY	CHK	DESCRIPTION	ECN	R	CUST	SUP	OTH	

THIS COPY IS PROVIDED ON A RESTRICTED BASIS AND IS NOT TO BE USED IN ANY WAY DETRIMENTAL TO THE INTERESTS OF PANDUIT CORP.



MODEL FILENAME V10270AA\_MPO\_DRAWER\_ASSY\_02.PRT

CAD FILENAME/LAYERS V10270AA\_DC\_02A.PRT

**PANDUIT** CORP. TINLEY PARK, ILLINOIS

FIBER CASSETTE ENCLOSURE 1 RU  
CUSTOMER DRAWING

UNLESS OTHERWISE SPECIFIED,  
DIMENSIONAL TOLERANCES ARE:  
(.X) ± .03 (,.XXX) ± .005  
(.XX) ± .015 ANGLES ± 1°

UNLESS OTHERWISE SPECIFIED,  
ALL DIMENSIONS ARE GIVEN  
IN INCHES, THIRD ANGLE PROJECTION.

DRAWN BY RVLE	MAT'L: STEEL	SCALE NONE
DATE 2/25/05	CHK'D	DRAWING NO. 10270-03 (SHEET 2 OF 2)
		DWG A SIZE

00	2/25/05	RVLE		RELEASED TO PRODUCTION	10270-03				
REV	DATE	BY	CHK	DESCRIPTION	ECN - R	CUST	SUP	OTH	