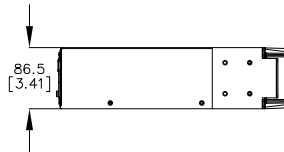
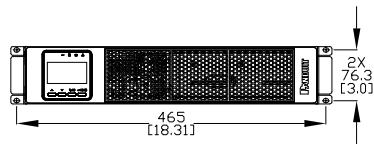
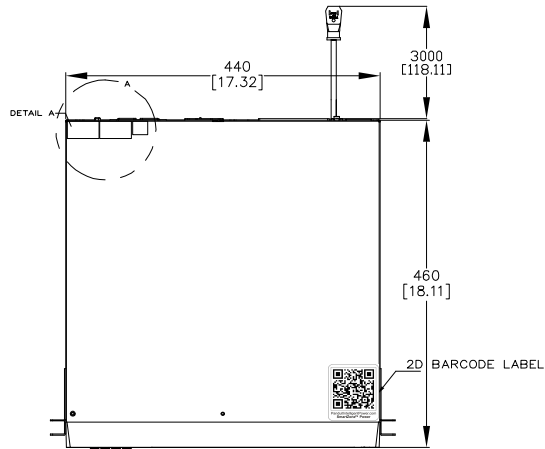
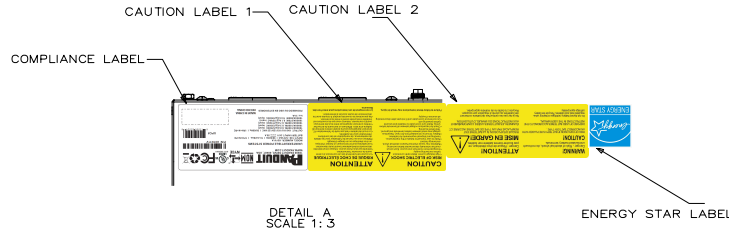
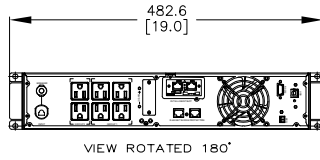


THIS COPY IS PROVIDED ON A RESTRICTED BASIS AND IS NOT TO BE USED IN ANY WAY DETRIMENTAL TO THE INTERESTS OF PANDUIT CORP.



**SPECIFICATION:**

- STANDARD:
  - UPS TOPOLOGY: DOUBLE CONVERSION
  - KVA: 1
  - BATTERY TYPE: VALVE REGULATED LEAD ACID
  - INPUT PLUG: NEMA 5-15P
  - NOMINAL INPUT VOLTAGE: 100/110/115/120/125VAC
  - INPUT PHASE: SINGLE
  - OUTPUT PHASE: SINGLE
  - NOMINAL OUTPUT VOLTAGE: 100/110/115/120/125VAC
  - OUTLET TYPE AND QTY: NEMA 5-15R(6)
  - DISPLAY TYPE: 2.8 INCH, 4 BUTTON
  - PARALLEL PORT SUPPORT: NO
  - INPUT BREAKER TYPE: 16A PUSH BUTTON
  - OUTPUT BREAKER TYPE: N/A
  - WEIGHT OF Pb(LEAD): 5.1KG
  - WEIGHT OF H2SO4(SULFURIC ACID): 1.2KG

- ADDITIONAL: NONE
- ACCESSORY COMPONENTS:
  - P/N U01N11V CONTAINS AN INTELLIGENT NETWORK CARD, (INSTALLED)
  - STABILIZER BRACKET, QTY: (4)
  - INSTALLATION EARS, QTY: (2)
  - SAFETY WARNING SHEET, QTY: (1)
  - SELECTION GUIDE (POCKET GUIDE), QTY: (1)
  - DB9/DB9 RS232 1.5M COMMUNICATION CABLE, QTY: (1)
  - USB-A/USB-B 1.2M SERIAL COMMUNICATION CABLE, QTY: (1)
  - INCLUDES P/N: UVC036 INTERNAL BATTERY CARTRIDGE, QTY: (1), (INSTALLED)
  - INCLUDES P/N: URMKIT2 INSTALLATION RAIL KIT, QTY: (1), (U01N11V ONLY)
  - REFER TO ASSOCIATED DRAWINGS FOR PHYSICAL DIMENSIONS AND SPECIFICATIONS
  - EPO PLUG WITH SHORTING WIRE, QTY: (1), (INSTALLED)

- NOTES:**
- PRIMARY DIMENSIONS ARE IN MILLIMETERS. SECONDARY DIMENSIONS ARE IN INCHES
  - INSTALLATION SHALL COMPLY WITH ALL APPLICABLE NATIONAL, STATE, AND LOCAL CODES
  - VISIT OUR ON-LINE CATALOG AT WWW.PANDUIT.COM FOR A CURRENT LIST OF PRODUCTS APPLICABLE FOR USE WITH THIS PRODUCT
  - ALL PURCHASED ITEMS CONFORM TO C2-0834 PANDUIT SPECIFICATION FOR CHEMICAL SUBSTANCES TO BE CONTROLLED IN PRODUCT AND PACKAGING.

**IDENTIFICATION:**

PART NUMBER	DESCRIPTION	SHIPPING WEIGHT (KG)
U01S11V	SMARTZONE IRUPS, 1kVA, 2U, 120V, SINGLE PHASE, DOUBLE-CONVERSION ON-LINE POWER PROTECTION	18.1
U01N11V	SMARTZONE IRUPS, 1kVA, 2U, 120V, SINGLE PHASE, DOUBLE-CONVERSION ON-LINE POWER PROTECTION WITH INTELLIGENT NETWORK CARD	21.6

REV	DATE	BY	CHK	APR	DESCRIPTION	ECN	REV	DATE	BY	CHK	APR	DESCRIPTION	ECN
00A	08/17/2021	DA	ZRZ	GLM/DJB	RELEASE TO PRODUCTION	U01N1V							
01A	08/02/2022	DA	ZRZ	GLM/DJB	A UPDATED DESCRIPTION BLAD NOW TO COMPLIANCE LABEL UPDATED UL LOGO EPO PLUG SUPPORT E NOTCH REMOVED IN METAL	U01N1V							

BE AWARE THAT YOU CHECK THAT THE QUANTITY SHOWN ON THIS DRAWING IS THE SAME AS THE QUANTITY SHOWN ON THE ORDER. THE ORDER WILL NOT PROCEED WITHOUT THE ORDER NUMBER BEING SHOWN ON THE DRAWING. DELIVERY.

SMARTZONE UPS U01S11V/U01N11V		REV	
CUSTOMER DRAWING		DATE	
U01S11V/U01N11V/01		REV	
U01S11V/U01N11V-DA/01A		DATE	
DIMENSIONAL TOLERANCES ARE: MM (IN)		REV	
N/A		DATE	
U01N11V-DC		REV	
THIS ANGLE PROJECTION		DATE	
08/17/2021 MLD VARIOUS		REV	
SHT 1 OF 2		DATE	

**PANDUIT** NOM

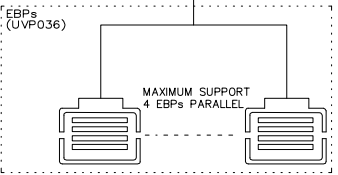
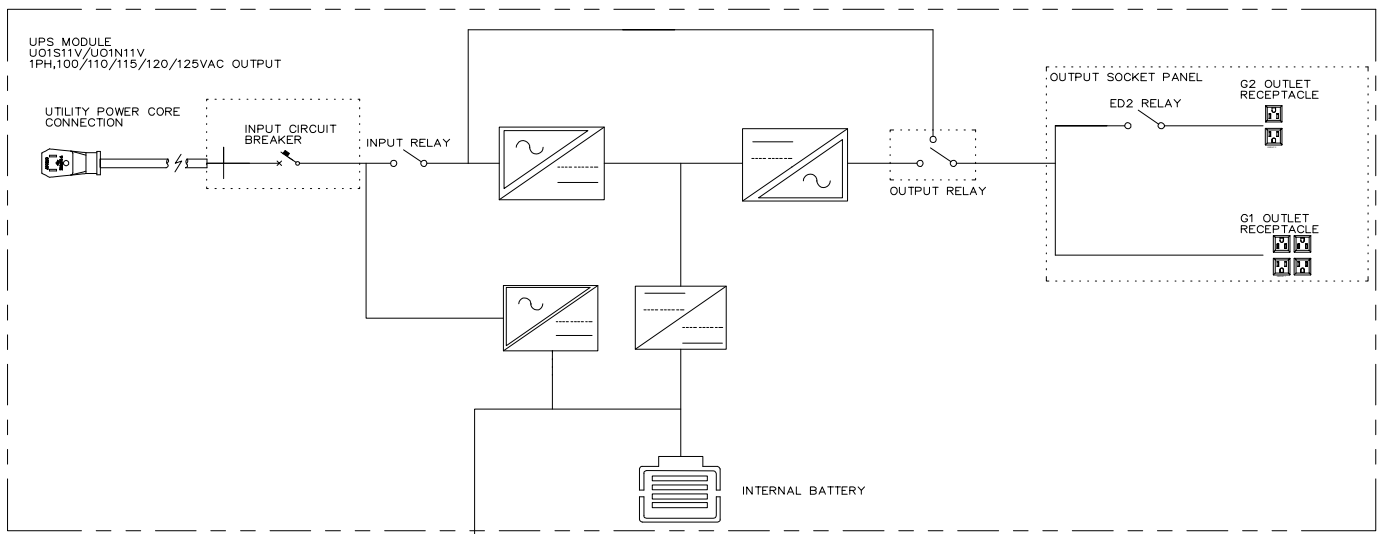
18000 PANDUIT DRIVE, 60407, USA  
WWW.PANDUIT.COM

UNINTERRUPTIBLE POWER SYSTEMS  
MODEL NUMBER: 1B1V1A  
INPUT: 100-125 VAC | 50/60Hz | 10.4 A Max. | 1PH+N+PE  
BATTERY INPUT: 36 V --- 50 A

P/N: U01N11V  
UPC#

OUTPUT: 100/110/115/120/125 VAC | 50/60Hz | 1PH+N+PE  
1000VA/1000W 8.3 A@120VAC (input)  
1000VA/1000W 8.3 A@125VAC (input)  
1000VA/1000W 8.7 A@115VAC (input)  
1000VA/970W 9.1 A@110VAC (input)  
1000VA/860W 10.0 A@100VAC (input)  
Icc: 3 A

MADE IN CHINA  
HECHO CHINA



**LEGEND**

SYMBOL	DESCRIPTION	SYMBOL	DESCRIPTION
	CIRCUIT BREAKER		AC-DC CONVERTER
	RELAY		DC-DC CONVERTER (BULKY)
	DC-DC CONVERTER		AC-DC CHARGE
	BATTERY		

DISPLAY FIRMWARE VERSION: 3040-0243  
CORE FIRMWARE VERSION: V0108000200

REV	DATE	BY	CHK	DESCRIPTION	ECN
01A	08/02/2021	D.L.	ZRZ	AL-UPDATED DESCRIPTION RE-ADD NOM TO COMPLIANCE LABEL SUPPATED UL LOGO KAT WAVE SURMITE ENDICOR REMOVED IN METAL	U01N11V
00A	08/17/2021	ZRZ	GLM/DLB	RELEASE TO PRODUCTION	U01N11V

PROJ NO: SPS-EDI-571  
REV: SEE TABLE

FILE: SMARTZONE UPS  
U01S11V/U01N11V  
CONTROL DRAWING

DATE PUBLISHED: U01S11V/U01N11V/01  
U01S11V/U01N11V-DA/DIA

UNLESS OTHERWISE SPECIFIED  
DIMENSIONS IN MILLIMETERS AND (M)

PROJ NO: U01N11V-DC

DATE: 08/17/2021  
M.D. VARIOUS

SHT 1 OF 2