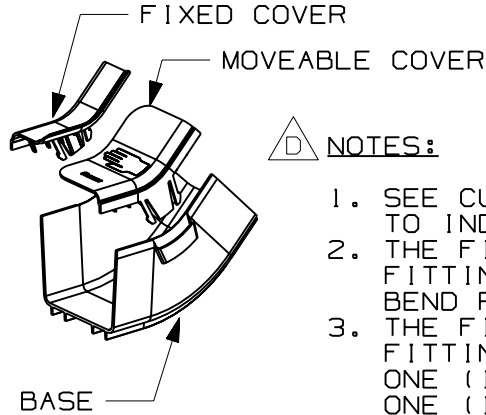
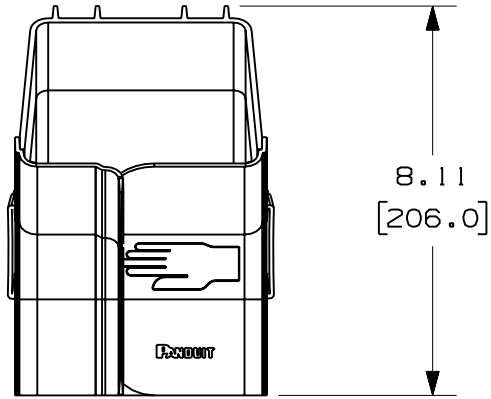


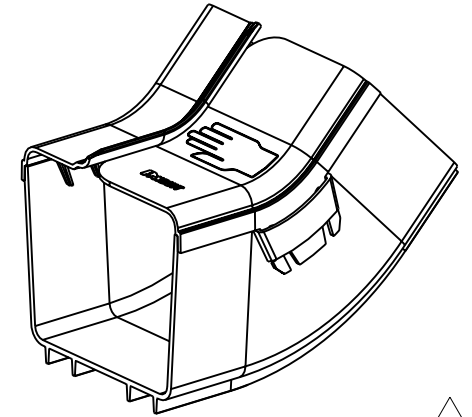
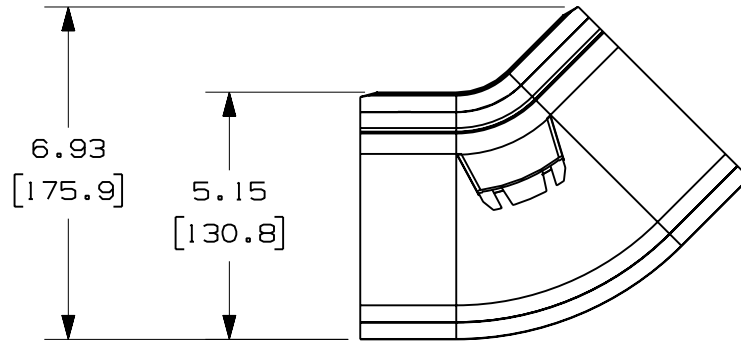
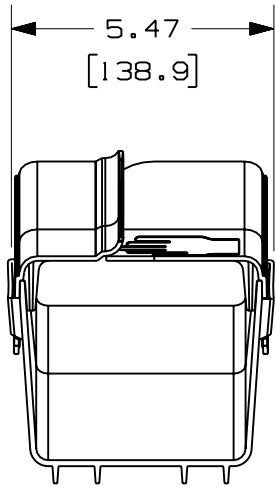
THIS COPY IS PROVIDED ON A RESTRICTED BASIS AND IS NOT TO BE USED IN ANY WAY DETRIMENTAL TO THE INTERESTS OF PANDUIT CORP.



NOTES:

1. SEE CURRENT CATALOG FOR ADDITIONAL PART SUFFIXES TO INDICATE COLOR AND/OR PACKAGE QUANTITY.
2. THE FIBERRUNNER 4x4 INSIDE VERTICAL 45° ANGLE FITTING IS DESIGNED WITH A MINIMUM 2" (50.8) BEND RADIUS TO PROTECT FIBER OPTIC CABLES.
3. THE FIBERRUNNER 4x4 INSIDE VERTICAL 45° ANGLE FITTING INCLUDES:
ONE (1) INSIDE VERTICAL 45° ANGLE BASE,
ONE (1) FIXED COVER SECTION,
ONE (1) MOVEABLE COVER SECTION
4. DIMENSIONS IN PARENTHESES ARE IN METRIC.

PANDUIT PART NUMBER	WEIGHT
FRIV454X4	0.74 LB/EACH (336g/EACH)



ENG. REF.: D37847CZ_DC_FRIV454X4_01.prt

CAD FILENAME/LAYERS

FRIV454X4.pdf

PANDUIT CORP TINLEY PARK, ILLINOIS
FIBERRUNNER 4x4 INSIDE VERTICAL 45° ANGLE FITTING (FRIV454X4)
 CUSTOMER DRAWING

UNLESS OTHERWISE SPECIFIED, DIMENSIONAL TOLERANCES ARE:

(.X) ± (.XXX) ±
 (.XX) ± .03 (.8) ANGLES ±

UNLESS OTHERWISE SPECIFIED, ALL DIMENSIONS ARE GIVEN IN INCHES, THIRD ANGLE PROJECTION.

DRAWN BY: JHNU
 DATE: 7-16-01
 CHK'D: HIW

MAT'L:

ABS

SCALE: NONE

DRAWING NO.: 37847-60

DWG SIZE: A

REV	DATE	BY	CHK	DESCRIPTION	ECN	R	CUST	SUP	GMBH
-	-----	---	---	E. REVISED PART WEIGHT	-----	--	--		
-	-----	---	---	D. REVISED GENERAL NOTES C. REVISED CAD FILENAME	-----	--	--		
1	6-30-06	DTP	RN	B. REVISED DRAWING TITLE A. REVISED AND REDRAWN	37847-60	RN	RN		