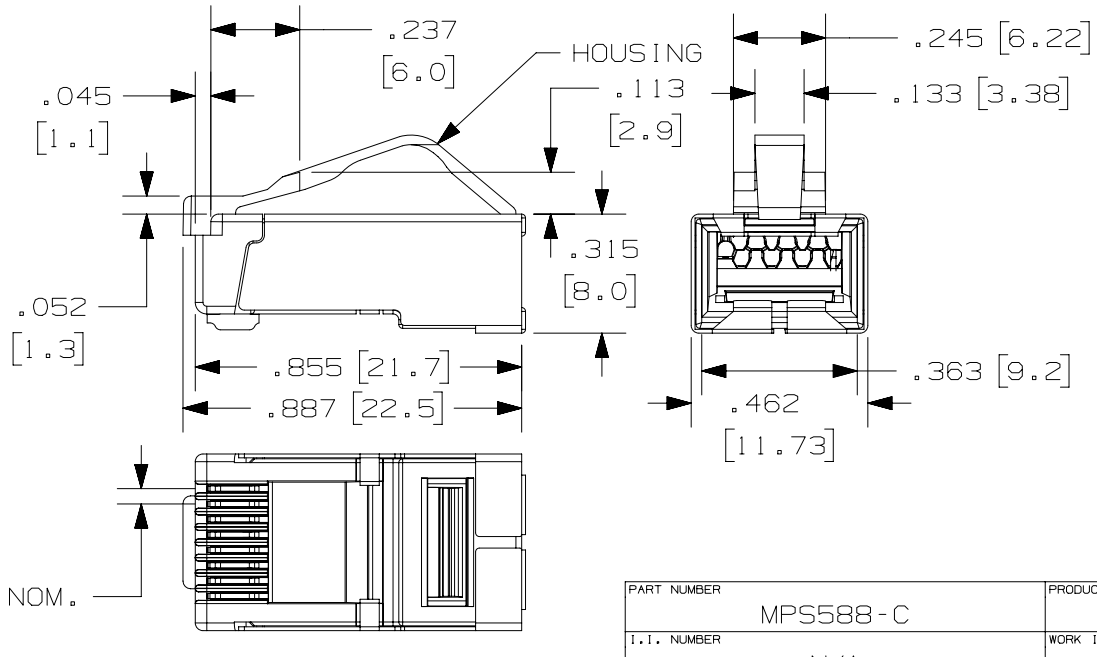
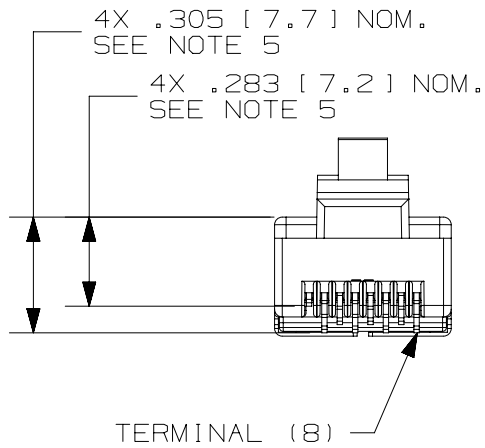


THIS COPY IS PROVIDED ON A RESTRICTED BASIS AND IS NOT TO BE USED IN ANY WAY DETRIMENTAL TO THE INTERESTS OF PANDUIT CORP.

PART NO.	PACKAGED	WEIGHT
MPS588-C	100/BAG	.55 lb/100 PCS (250 g/100 PCS)

NOTES:

- PART NUMBER: SEE TABLE.
- MATERIAL: HOUSING - THERMOPLASTIC UL94V-0 RATED; TERMINAL - PHOSPHOR BRONZE ELECTRO-POLISHED AND PLATED WITH .000050" MIN. GOLD IN MATING AREA, GOLD FLASH OVER REMAINDER, .000100" MIN. NICKEL UNDERPLATE. SHIELD - CARTRIDGE BRASS WITH .000100" MIN. OF NICKEL.
- PLUG ACCEPTS 4-PAIR CABLE .210"-.250" DIAMETER CABLE WITH 24-26 AWG STRANDED OR SOLID CONDUCTOR WITH MAXIMUM INSULATOR DIAMETER OF .040"
- ALL DIMENSIONS MAXIMUM UNLESS OTHERWISE SPECIFIED.
- TERMINATED CONTACT HEIGHT: .237±.005"



PART NUMBER	MPS588-C	PRODUCT SPEC/PKG SPEC	N/A
I.I. NUMBER	N/A	WORK INSTRUCTION	N/A

TITLE
SHIELDED PAN-PLUG HIGH PERFORMANCE MODULAR PLUG
 CUSTOMER DRAWING

ITEM REVISION NAME
D35123AN/06

DATASET FILE NAME
D35123AN_DC19/06A



UNLESS OTHERWISE SPECIFIED, DIMENSIONAL TOLERANCES ARE: IN (mm)
 .x ± .1 [2.54] .xxx ± .005 [0.127]
 .xx ± .01 [0.25] ANGLES ± 5°

MATERIAL:
 SEE NOTE 2

DRAWING NUMBER:
35123-19

THIRD ANGLE PROJECTION

DRAWN BY	DATE	CHK	SCALE	SHT 1 OF 1	SIZE
LZ	11-14-00	RAV	1 TO 1		A

REV	DATE	BY	CHK	APR	DESCRIPTION	ECN
06A	7-11-23	BJN	REFR	SKH	UPDATED	M09000TP
5	9-5-13	BJN	SCAL	EJH	UPDATED REVISED & REDRAWN PREVIOUS REVS REMVD FOR CLARITY	35123-19

D10100DA/14