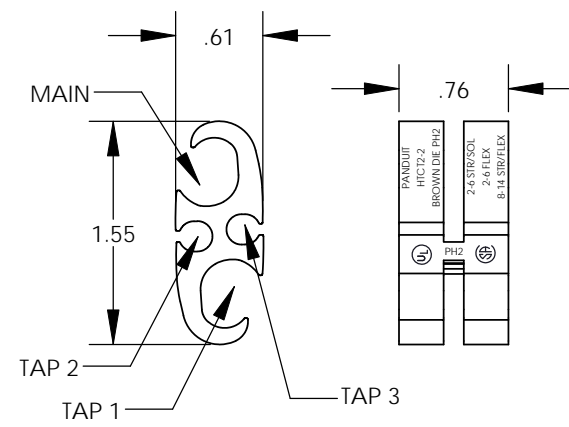
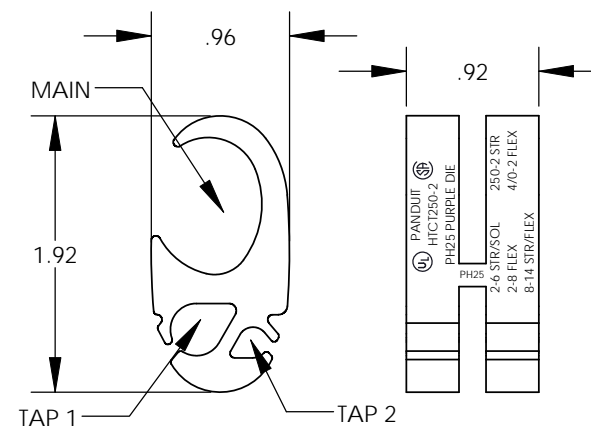


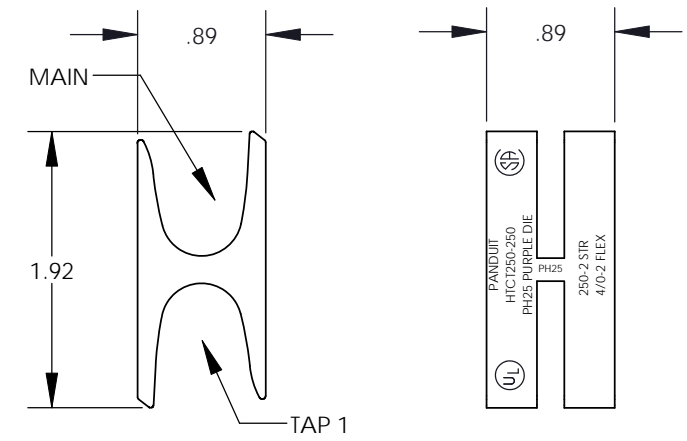
HTCT6X-6X



HTCT2-2



HTCT250-2



HTCT250-250

| H-TAP PART NUMBER | H-TAP & CLEAR COVER KIT PART NUMBER | CONDUCTOR SIZES CODE WIRE (FLEX CABLE) | | | | WIRE STRIP LENGTH | CRIMP DIE COLOR CODE | PANDUIT INSTALLATION TOOLS | |
|-------------------|-------------------------------------|--|-------------------|-------------|-------------|-------------------|----------------------|---|------------------------------|
| | | MAIN | TAP 1 | TAP 2 | TAP 3 | | | CT-930 CT-930CH CT-940CH* CT-2930 CT-2931 CT-2940* | CT-920 CT-920CH CT2920 |
| | | MAIN | TAP 1 | TAP 2 | TAP 3 | | | | |
| HTCT6X-6X-1 | HTWC6X-6X-1 | 6-14 (6-14) | 6-14 (6-14) | --- | --- | 11/16" | ORANGE | CD-920H-6 PH6 | CD-920H-6 PH6 |
| HTCT2-2-1 | HTWC2-2-1 | 2-6 STR/SOL (2-8) | 2-6 STR/SOL (2-8) | 8-14 (8-14) | 8-14 (8-14) | 13/16" | BROWN | CD-920H-2 PH2 | CD-920H-2 PH2 |
| HTCT250-2-1 | HTWC250-2-1 | 250-2 (4/0-2) | 2-6 STR/SOL (2-8) | 8-14 (8-14) | --- | 1" | PURPLE | CD-930H-250 PH25 | --- |
| HTCT250-250-1 | HTWC250-250-1 | 250-2 (4/0-2) | 250-2 (4/0-2) | --- | --- | 1" | PURPLE | CD-930H-250 PH25 | --- |

*REQUIRES CD-940-DA ADAPTER

NOTES:

1. MATERIAL: ANNEALED HIGH CONDUCTIVITY COPPER, TIN PLATED
2. FOR USE WITH COPPER OR TIN PLATED COPPER CONDUCTORS ONLY.
3. ACCOMODATES CODE CABLE, SOLID WIRE (WHERE SPECIFIED), FLEX LOCOMOTIVE (DLO), AND FLEX CLASSES G, H, & I
4. ANY SINGLE TAP OR COMBINATION OF TAPS MAY BE USED IN CONJUNCTION WITH MAIN WIRE PORT.
5. UL LISTED AND CSA CERTIFIED FOR APPLICATIONS UP TO 600V. TEMPERATURE RATING 90°C MAX.
6. FLAME RETARDANT CALBE TIES (UL94 V-0 RATED NYLON WITH L.O.I. = 28MIN.) ARE PROVIDED WITH THE TAPS TO RETAIN THE WIRES IN POSITION FOR CRIMPING.
7. TO ORDER H-TAP WITH INSULATING COVERS SEE PART NUMBERS IN TABLE.
8. H-TAPS AND KITS ARE PACKAGED INDIVIDUALLY. (-1 PACKAGING CODE)



| REV | DATE | BY | CHK | DESCRIPTION | ECN | -R | SUP | CHK'D | RLS |
|-----|-------|------|------|---|-----------------|-----|-----|-------|-----|
| 05 | 3/11 | JHNU | JHNU | REMOVED HTCT8-8 & HTCT6-6, ADDED HTCT6X-6X REVISED WIDTH ON HTCT250-250: .89 WAS .90 | N41379BC-C41379 | FLD | FLD | | |
| 04 | 2/09 | JHNU | JHNU | CONVERTED DRAWING TO SOLIDWORKS REMOVED HTCT250-8-1 & HTWC250-8-1 FROM DRAWING | | | | | |
| 03 | 1/05 | JHNU | JHNU | ADDED CT-2930 TO THE TABLE | | | | | |
| 02 | 11/04 | RGB | RGB | ADDED CT-2931 TO THE TABLE | 12276 | | | | |
| 01 | 5/03 | RWK | RLS | REMOVED BLACK COVER KIT NUMBERS | 10818 | | | | |
| 00 | 4/03 | RWK | RLS | DRAWING RELEASED | 10794 | | | | |

| | |
|--|--|
| PANDUIT CORP. TINLEY PARK, ILLINOIS | |
| H-TAP SERIES COPPER COMPRESSION SMALL TAPS CUSTOMER DRAWING | |
| UNLESS OTHERWISE SPECIFIED DIMENSIONAL TOLERANCES ARE: (.X) ±X (.XXX) ±X (.XX) ±.03 ANGLES ±X | UNLESS OTHERWISE SPECIFIED, ALL DIMENSIONS ARE GIVEN IN INCHES, THIRD ANGLE PROJECTION |
| DRAWN BY: RWK | MAT'L: NONE |
| DATE: 4/03 | DRAWING NO / CAD FILE: C41379_05 |
| SCALE: NONE | DWG SIZE: B |