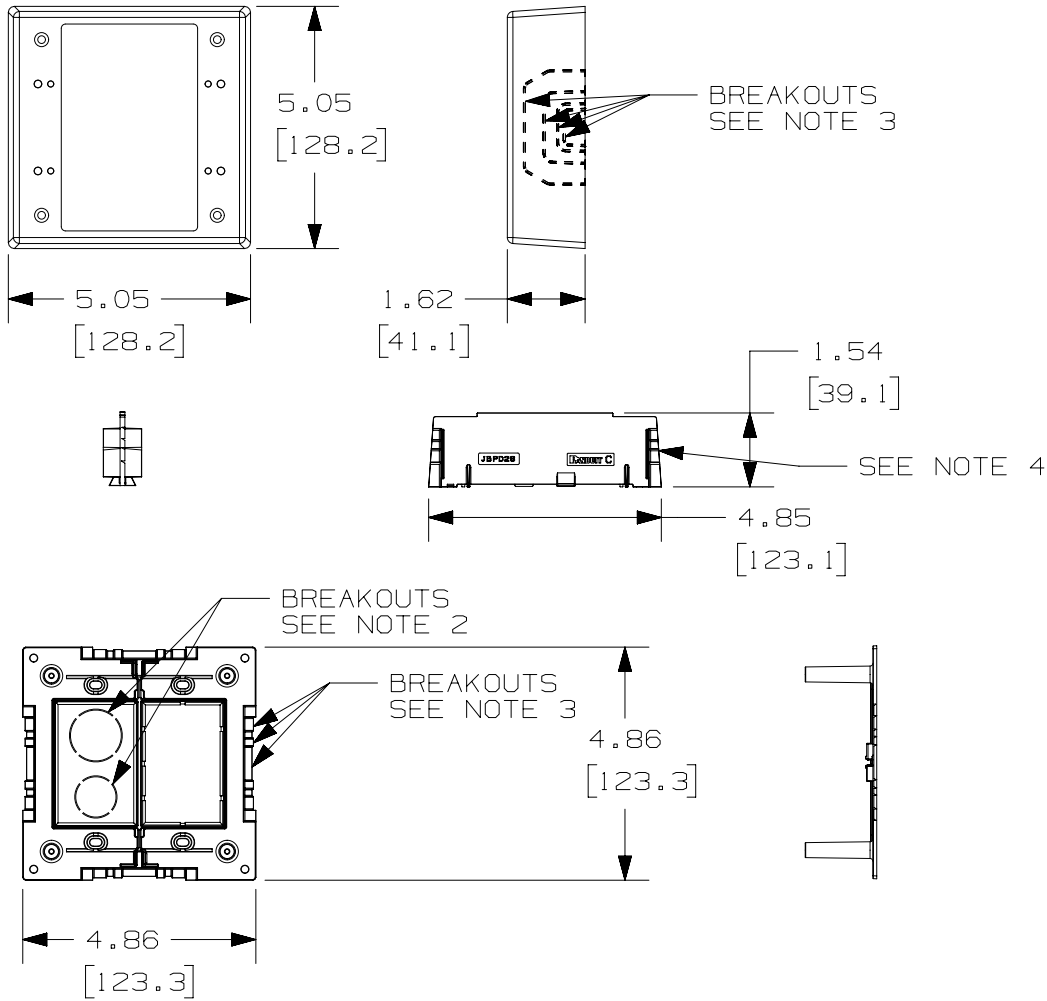


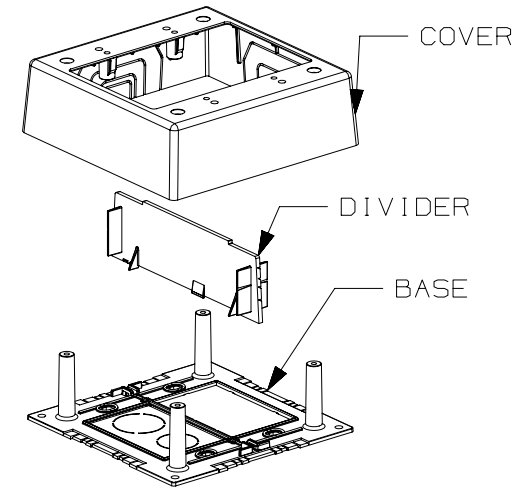
THIS COPY IS PROVIDED ON A RESTRICTED BASIS AND IS NOT TO BE USED IN ANY WAY DETRIMENTAL TO THE INTERESTS OF PANDUIT CORP.



PANDUIT P/N	WEIGHT	VOLUME cu. in./cc
JBP2S	0.27 lb/ PCS (121.0 g/ PCS)	32.1 [526]

NOTES:

- SEE WWW.PANDUIT.COM FOR ADDITIONAL PART SUFFIXES TO INDICATE COLOR AND OR PACKAGE QUANTITY.
- CONCENTRIC BREAKOUTS TO ACCOMMODATE CONDUIT SIZES OF 1/2", AND 3/4" DIAMETERS.
- BREAKOUTS ARE PROVIDED ON ALL FOUR SIDES OF COVER FOR T45, LDS, LDPH & LD RACEWAYS.
- DIVIDER PROVIDES POWER AND DATA SEPARATION IMMEDIATELY FROM RACEWAY.
- DIMENSIONS IN PARENTHESES ARE IN METRIC.



PART NUMBER		SEE TABLE		
TITLE				
PAN-WAY 2 GANG SHALLOW JUNCTION BOX WITH DIVIDER WALL				
CUSTOMER DRAWING				
ITEM REVISION NAME		D35677BE/04		
DATASET FILE NAME		D35677BE_DC_JBP2S/04A		
MATERIAL		PVC		
DRAWING NUMBER		35677-05		
DRAWN BY		DATE	CHK	SCALE
DW		10-28-97	HIW	NONE
SHEET 1 OF 1		SIZE		
A		A		

REV	DATE	BY	CHK	APR	DESCRIPTION	ECN
04A	04-18-23	BJN	BSN	TAM	MADE UNITS LOWER CASE; NOTE 1: MADE WWW.PANDUIT.COM DIVIDER: PVC WAS POLYSTYRENE	M09000TA