



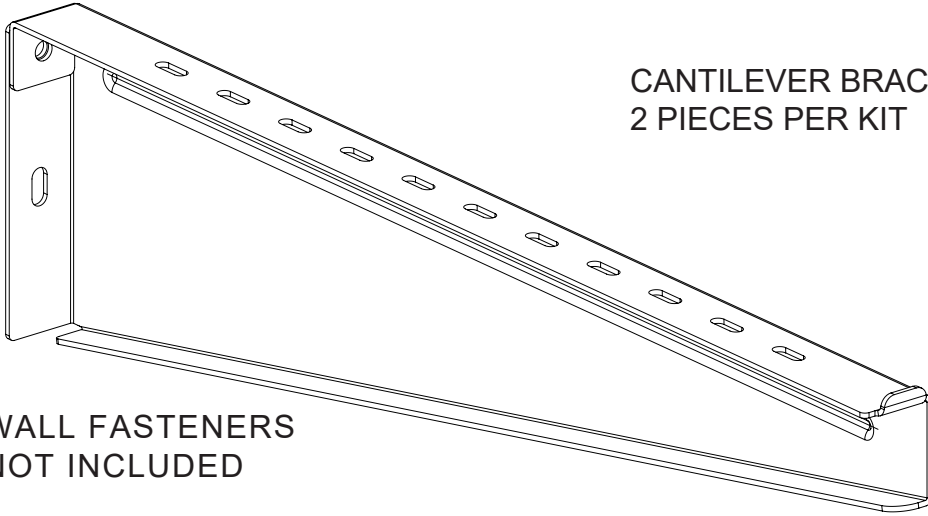
PANDUIT WIRE BASKET CANTILEVER BRACKET

Part Numbers: PWBCB4**, PWBCB6**, PWBCB8**,
PWBCB12**, PWBCB18**, PWBCB24**

©Panduit Corp. 2021

INSTALLATION INSTRUCTIONS

FS188

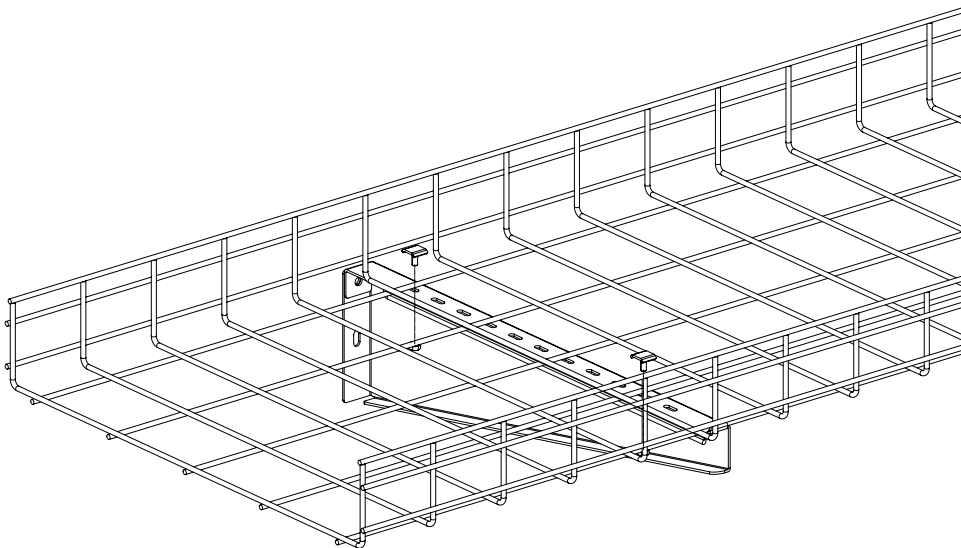


CANTILEVER BRACKET
2 PIECES PER KIT

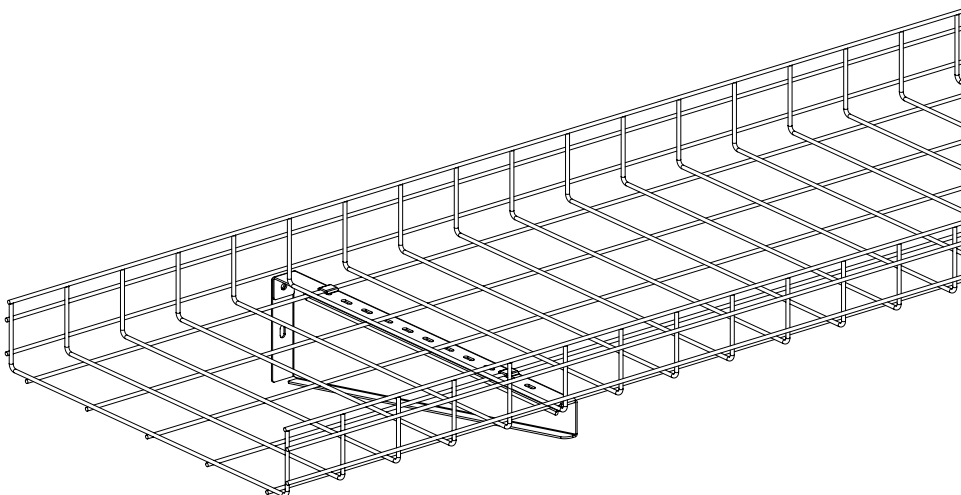
WALL FASTENERS
NOT INCLUDED

CANTILEVER
BRACKET WIDTH MAX.
LOADED WEIGHT

24"	588lbs
18"	588lbs
12"	588lbs
8"	284lbs
6"	138lbs
4"	154lbs



INSTALL (2) PWBHK** TO
EACH BRACKET



12" WIRE BASKET SHOWN
FOR REFERENCE.

For Instructions in Local Languages
and Technical Support:

http://www.panduit.com/resources/install_maintain.asp

PANDUIT
www.panduit.com

E-mail:
techsupport@panduit.com

Phone:
866-405-6654