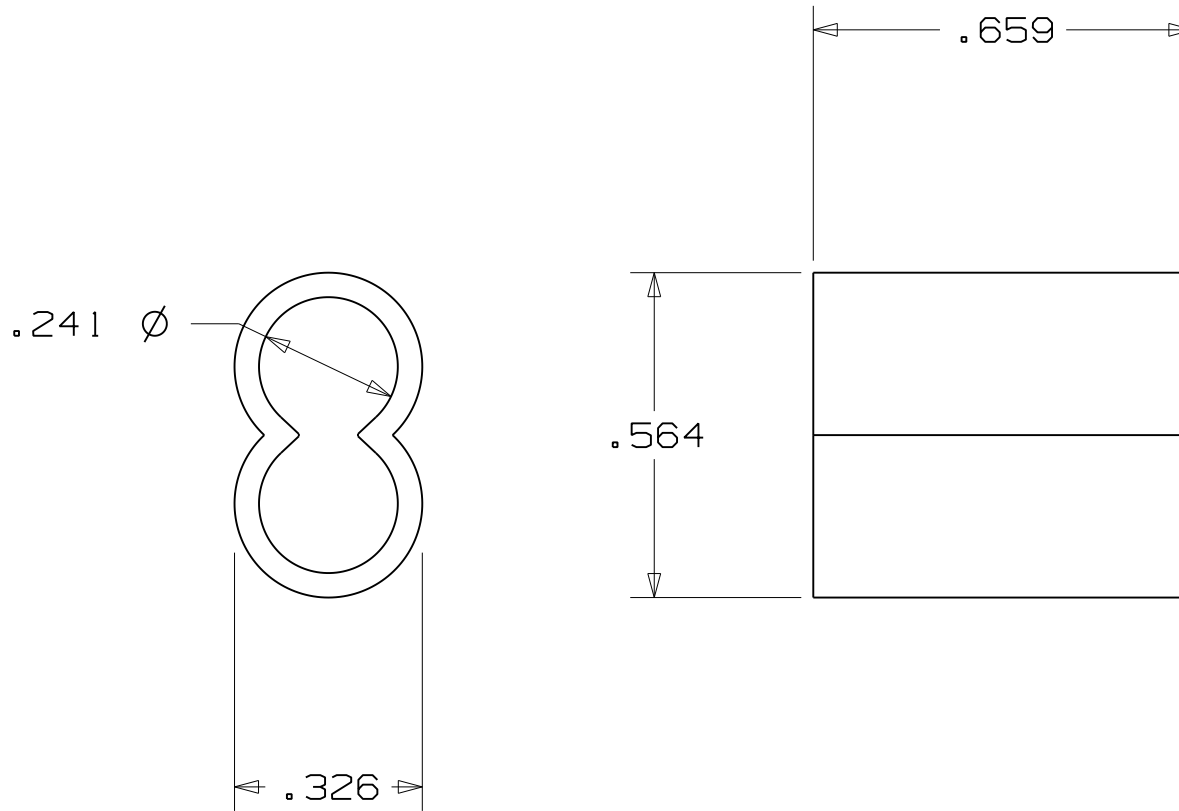


THIS COPY IS PROVIDED ON A RESTRICTED BASIS AND IS NOT TO BE USED IN ANY WAY DETRIMENTAL TO THE INTERESTS OF PANDUIT CORP.



										CAD FILENAME/LAYERS		100923CK_DC_C10881/00A		
										PANDUIT CORP. TINLEY PARK, ILLINOIS				
										PSL -MLD-CRIMP CUSTOMER DRAWING				
										UNLESS OTHERWISE SPECIFIED, DIMENSIONAL TOLERANCES ARE: (.X) ± .1 (.XX) ± .05		UNLESS OTHERWISE SPECIFIED, ALL DIMENSIONS ARE GIVEN IN INCHES, THIRD ANGLE PROJECTION.		
										DRAWN BY JHAC		MAT'L: STAINLESS STEEL		
										DATE 01/5/11		SCALE 3:1		
										CHK'G <i>[Signature]</i>		DRAWING NO. C10881		
A	1/5/11	JHAC	<i>[Signature]</i>	DRAWING RELEASE			6272							DWG A SIZE
REV	DATE	BY	CHK	DESCRIPTION			ECN	R	CUST	SUP				