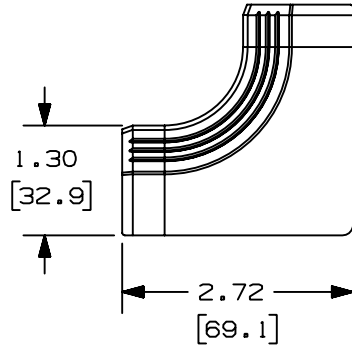
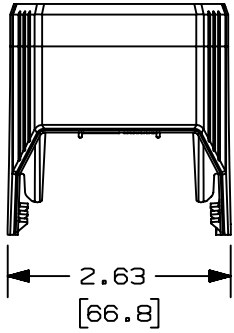


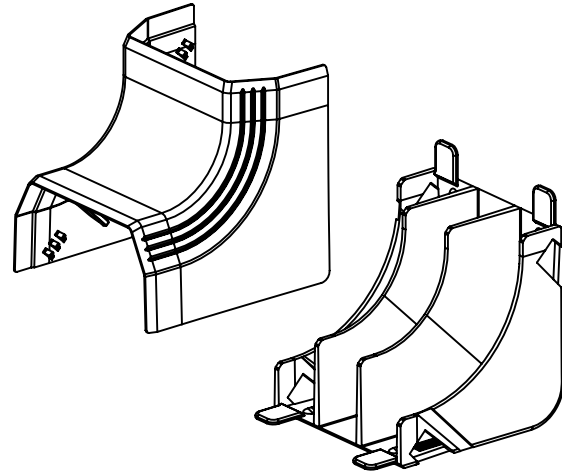
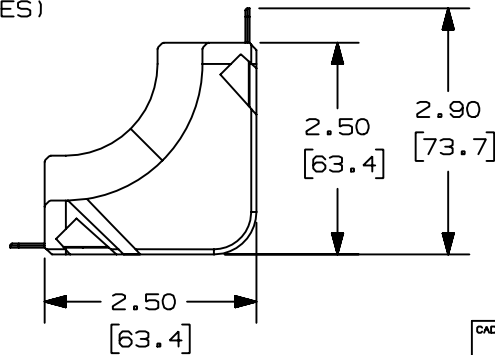
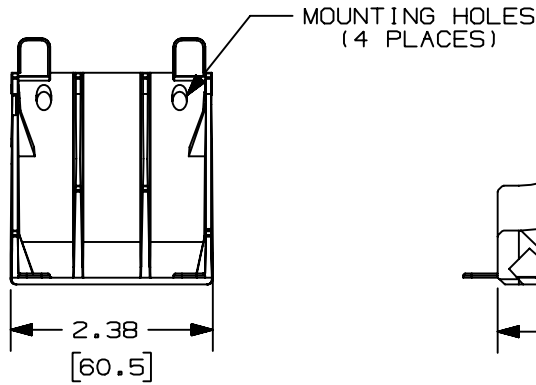
THIS COPY IS PROVIDED ON A RESTRICTED BASIS AND IS NOT TO BE USED IN ANY WAY DETRIMENTAL TO THE INTERESTS OF PANDUIT CORP.

PANDUIT P/N	WEIGHT
T45IC	1.63 LB/10 PCS 741.03 g/10 PCS



NOTES:

- SEE CURRENT CATALOG FOR ADDITIONAL PART SUFFIXES TO INDICATE COLOR AND OR PACKAGE QUANTITY.
- THIS PRODUCT IS INTENDED TO BE USED WITH PANDUIT TYPE T-45.
- DIMENSIONS IN PARENTHESIS ARE IN METRIC.



CAD FILENAME/LAYERS D36975DX\_DC\_T45IC\_00B.PRT

**PANDUIT** CORP. TINLEY PARK, ILLINOIS  
**T-45 INSIDE CORNER FITTING (T45IC)**  
 CUSTOMER DRAWING

UNLESS OTHERWISE SPECIFIED, DIMENSIONAL TOLERANCES ARE:  
 (.X) ± (.XXX) ±  
 (.XX) ±.03(.8) ANGLES ±

UNLESS OTHERWISE SPECIFIED, ALL DIMENSIONS ARE GIVEN IN INCHES, THIRD ANGLE PROJECTION.

REV	DATE	BY	CHK	DESCRIPTION	ECN	CHK	CUST	SUP
I	01-12-00	RABO	HIW	A. REVISED MOUNTING HOLES	36975-59	HIW	HIW	
R	10-28-99	RABO	HIW	RELEASED TO PRODUCTION.	36975-59	HIW	HIW	

DRAWN BY RABO	MAT'L: PVC	SCALE NONE
DATE 10-28-99		DRAWING NO. 36975-59
CHECKED BY BKR		DWG A SIZE