

PAN-WAY™ T-70 TRANSITION FITTING DIVIDED INSERT

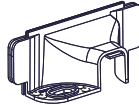
FOR USE WITH PANDUIT®
T-70 AND LD2P10 SURFACE
RACEWAY ROUTING SYSTEMS

Part Numbers: T70TRI

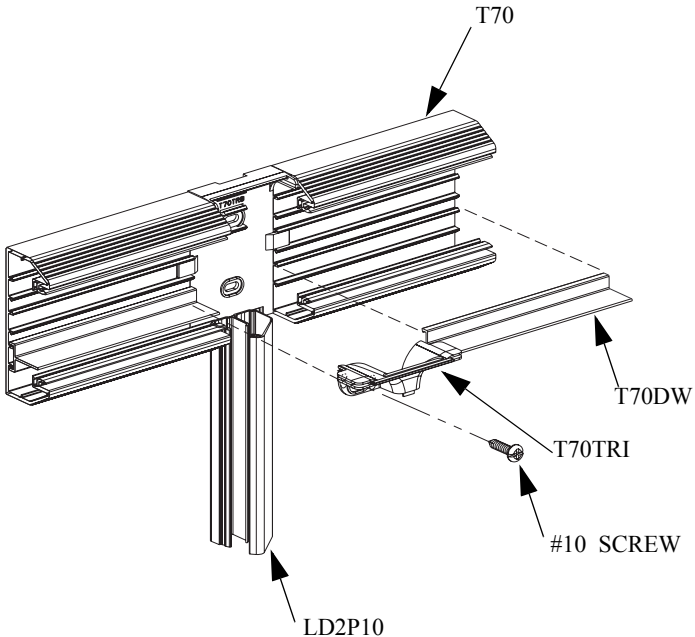
INSTALLATION INSTRUCTIONS

©Panduit Corp. 1998

Printed in U.S.A.



T70TRI



RACEWAY SYSTEMS DIVISION

17301 Ridgeland Avenue
Tinley Park, IL 60477-3091
Phone: 866-405-6656
FAX: 866-449-1702

WORLDWIDE SUBSIDIARIES AND SALES OFFICES

Instruction Sheet RW48B