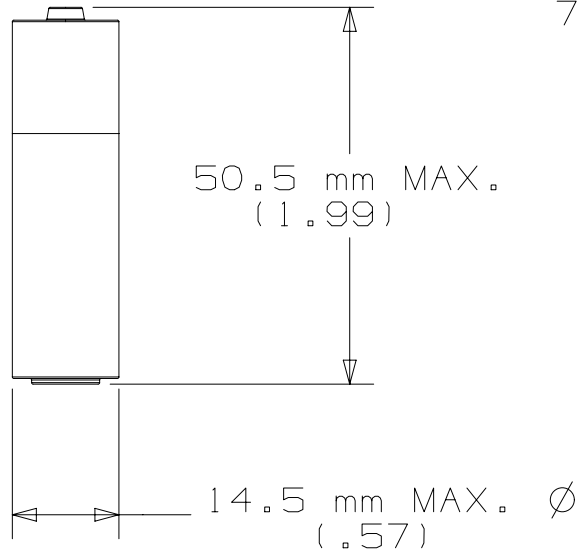


THIS COPY IS PROVIDED ON A RESTRICTED BASIS AND IS NOT TO BE USED IN ANY WAY DETRIMENTAL TO THE INTERESTS OF PANDUIT CORP.

NOTES:

1. 'AA' SIZE
2. NOMINAL VOLTAGE: 3.6V
3. NOMINAL CAPACITY: 1.8 Ah
4. OPERATING TEMPERATURE: -25C TO +60C
5. PRIMARY LITHIUM THIONYL CHLORIDE TYPE
6. DISPOSE OF PROPERLY.
7. DIMENSIONS ARE MM (IN.).



PRODUCT SPEC	PACKAGING SPEC
PART NUMBER VS-AVT-BATTERY	WORK INSTRUCTION
INSPECTION INSTRUCTION NUMBER	FMEA & CONTROL PLAN NUMBER

TITLE
REPLACEMENT BATTERY, VERISAFE 3.6V
CUSTOMER DRAWING

ITEM REVISION NAME
18I216HG/00

DATASET FILE NAME
18I216HG_DC/00

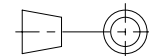


UNLESS OTHERWISE SPECIFIED,
DIMENSIONAL TOLERANCES ARE: IN [mm]

.x ± .1 [2.54] .xxx ± .005 [.127]
.xx ± .01 [.25] ANGLES ± 5 °

MATERIAL:
SEE NOTES

DRAWING NUMBER:
18I216HG_DC



THIRD ANGLE
PROJECTION

0	1/29/19	DFA	ZSG	MSAD	INITIAL RELEASE	GAECN05393
---	---------	-----	-----	------	-----------------	------------

REV	DATE	BY	CHK	APR	DESCRIPTION	ECN	DRAWN BY	DATE	CHK	SCALE	SHT 1 OF 1	SIZE
							DFA	1/29/19	MSAD	NONE		A

D10100DA/20